

PRODUCT INFORMATION PACKET



Model No: C6T17FB151B

Catalog No: 116757.00

..1HP..1760RPM.56.TEFC.230/460V.3PH.60HZ.CONT.40C.1.25SF.RIGID.C6T17FB151B.....WATTSAYER.A
UTOMATIC.....

Totally Enclosed Fan Cooled (TEFC)



Regal and Leeson are trademarks of Regal Beloit Corporation or one of its affiliated companies.

©2018 Regal Beloit Corporation, All Rights Reserved. MC017097E





Nameplate Specifications

Output HP	1 Hp	Output KW	0.75 kW
Frequency	60 Hz	Voltage	230/460 V
Current	3.2-3.2/1.6 A	Speed	1760 rpm
Service Factor	1.25	Phase	3
Efficiency	85.5 %	Duty	Continuous
Insulation Class	F	Design Code	B
KVA Code	N	Frame	56H
Enclosure	Totally Enclosed Fan Cooled	Overload Protector	No
Ambient Temperature	40 °C	Drive End Bearing Size	6203
Opp Drive End Bearing Size	6203	UL	Recognized
CSA	Y	CE	Y
IP Code	43		

Technical Specifications

Electrical Type	Squirrel Cage Induction Run	Starting Method	Across The Line
Poles	4	Rotation	Reversible
Mounting	Rigid base	Motor Orientation	HORIZONTAL
Drive End Bearing	BALL	Opp Drive End Bearing	BALL
Frame Material	Rolled Steel	Shaft Type	NEMA 56
Overall Length	12.48 in	Frame Length	7.00 in
Shaft Diameter	0.625 in	Shaft Extension	1.88 in
Assembly/Box Mounting	F1 ONLY		
Outline Drawing	028792-700	Connection Diagram	005010.20

This is an uncontrolled document once printed or downloaded and is subject to change without notice. Date Created: 10/15/2018

4

3

2

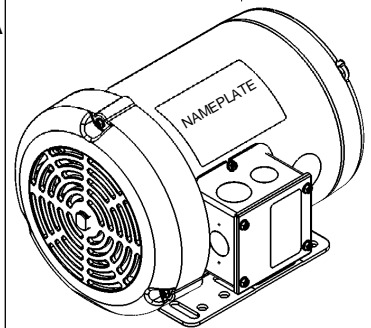
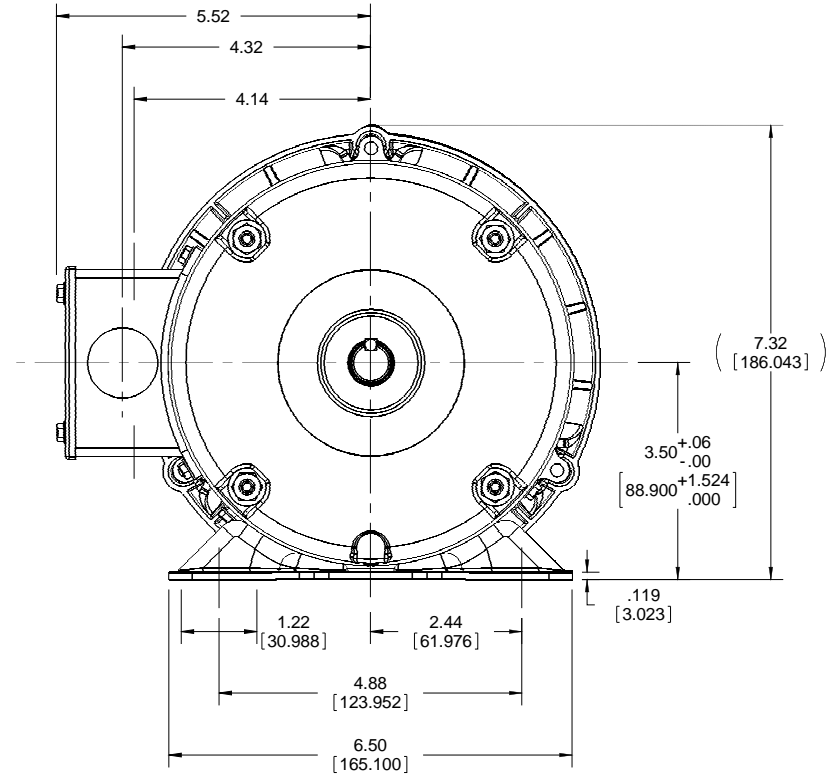
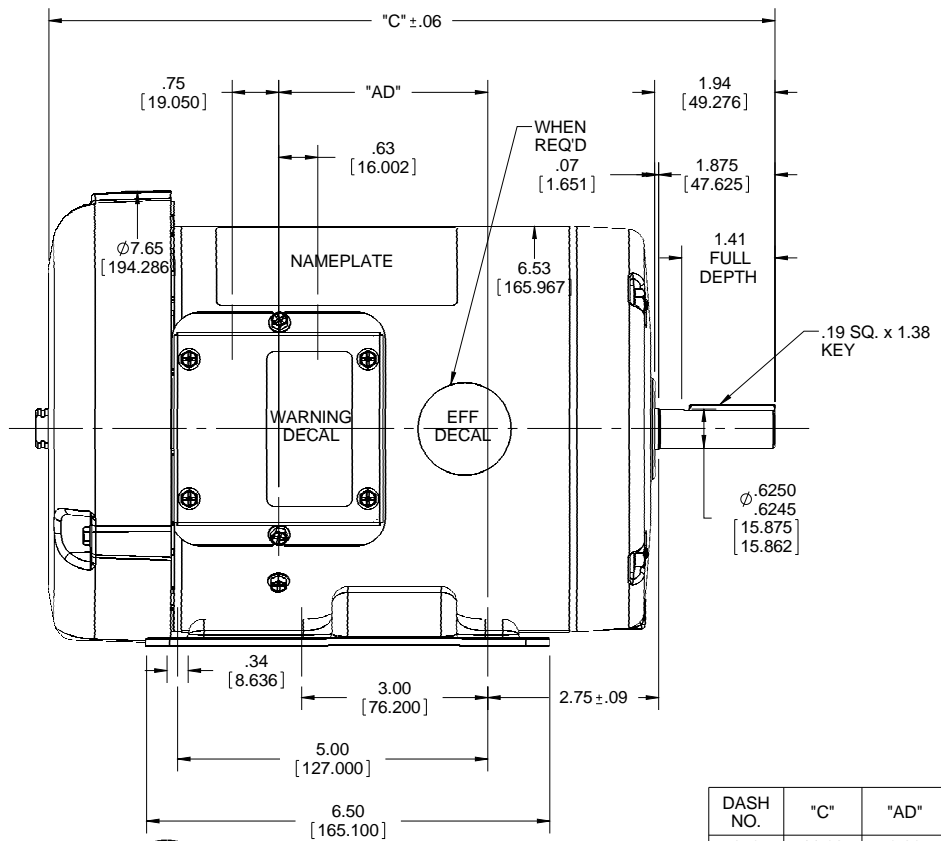
1

B

B

A

A



DASH NO.	"C"	"AD"
650	11.98	3.69
675	12.23	3.94
700	12.48	4.19
750	12.98	4.69
800	13.48	5.19
850	13.98	5.69

NOTE:
1) GASKETS THROUGHOUT

ORACLE REV.
002

DRAWING REVISION D	REVISION BY PVR	DATE 05/29/15	TOLERANCES UNLESS OTHERWISE SPECIFIED: DEC. INCH mm ANGLE -X ±0.1 [+2.5] ±0.5° .XX ±0.03 [+0.76] .XXX ±0.005 [+0.127] .XXXX ±0.0005 [+0.0127] REMOVE BURRS & BREAK SHARP EDGES: .003/.015 [.076/.381] X 45° CORNER FILLETS: R.02 [.51] MACHINED SURFACES: 125 3.2 INCH mm mm SHOWN IN [BRACKETS]	DRAWN BY KMM	DATE 09/05/07	Regal Beloit America, Inc.
ECO ECO-0105104	APPROVED BY JD	DATE 05/29/15	APPROVED BY	DESCRIPTION OUTLINE TEFC - 56H RIGID		
ECO DESCRIPTION WHEN REQD NOTE ADDED FOR EFF DECAL COPYRIGHT REGAL BELOIT AMERICA, INC. ALL RIGHTS RESERVED. PROPRIETARY AND CONFIDENTIAL INFORMATION - THIS DOCUMENT IS THE PROPERTY OF REGAL BELOIT AMERICA, INC. (OWNER) AND CONTAINS OWNER'S PROPRIETARY INFORMATION. ANY PERSON, CORPORATION OR OTHER FIRM RECEIVING IT IS DEEMED, BY RECEIVING IT, TO AGREE THAT IT, AND/OR ANY PART OF IT, SHALL NOT BE DISCLOSED TO ANY PERSON, CORPORATION OR OTHER ENTITY, DUPLICATED, AND/OR USED, EXCEPT AS EXPRESSLY APPROVED IN WRITING IN ADVANCE BY OWNER. THIS DOCUMENT SHALL BE RETURNED TO OWNER UPON REQUEST. IT MAY BE SUBJECT TO CERTAIN RESTRICTIONS UNDER APPLICABLE EXPORT CONTROL LAWS AND REGULATIONS.			REFERENCE	MATERIAL	PROCESS/FINISH GENERAL PURPOSE	
			THIRD ANGLE PROJECTION	SIZE B	DRAWING NUMBER 028792	SHEET 1 OF 1

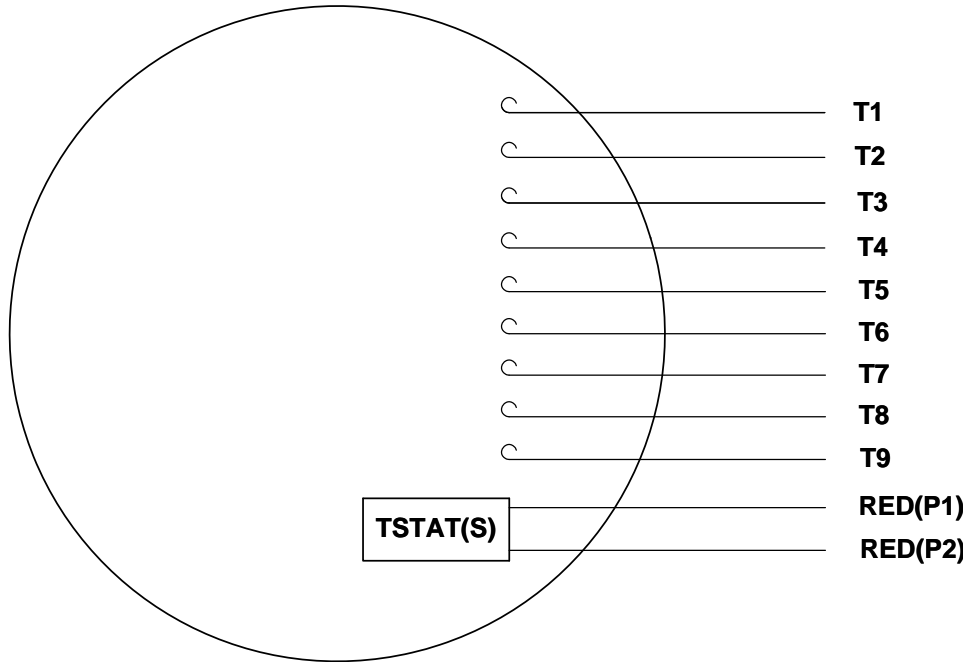
4

3

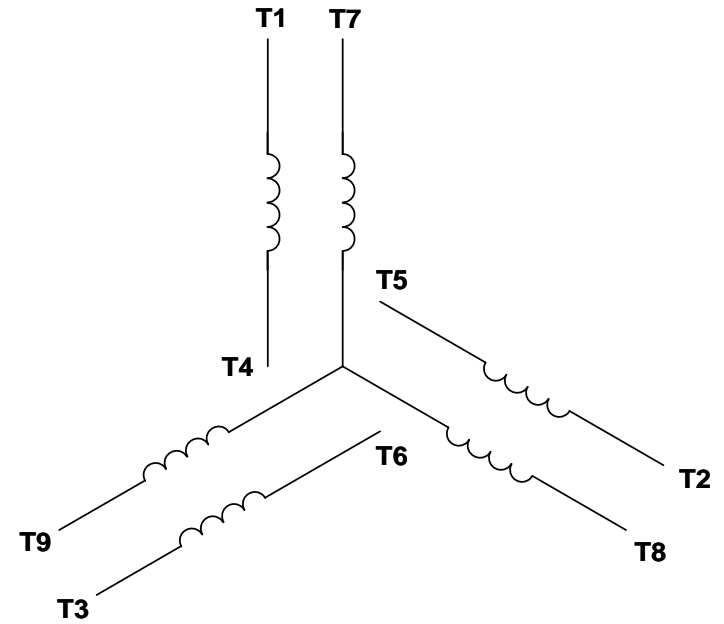
2

1

VIEW FROM OUTSIDE OF MOTOR AT SWITCH END. Uncontrolled Copy



LINE LEADS



VOLTAGE	L1	L2	L3	JOIN & INSULATE
HIGH	T1	T2	T3	(T4,T7) (T5,T8) (T6,T9)
LOW	T1,T7	T2,T8	T3,T9	T4,T5,T6

DRAWING REVISION **G** REVISION BY **MVG** DATE **04/05/2017**

ECO **ECO-0121253** APPROVED BY **SM** DATE **04/05/2017**

ECO DESCRIPTION
ADDED P1 & P2 FOR TSTAT

COPYRIGHT REGAL BELOIT AMERICA, INC. ALL RIGHTS RESERVED.
PROPRIETARY AND CONFIDENTIAL INFORMATION - THIS DOCUMENT IS THE PROPERTY OF
REGAL BELOIT AMERICA, INC. ('OWNER') AND CONTAINS OWNER'S PROPRIETARY
INFORMATION. ANY PERSON, CORPORATION OR OTHER FIRM RECEIVING IT IS DEEMED,
BY RECEIVING IT, TO AGREE THAT IT, AND/OR ANY PART OF IT, SHALL NOT BE DISCLOSED
TO ANY PERSON, CORPORATION OR OTHER ENTITY, DUPLICATED, AND/OR USED, EXCEPT
AS EXPRESSLY APPROVED IN WRITING IN ADVANCE BY OWNER. THIS DOCUMENT SHALL
BE RETURNED TO OWNER UPON REQUEST. IT MAY BE SUBJECT TO CERTAIN
RESTRICTIONS UNDER APPLICABLE EXPORT CONTROL LAWS AND REGULATIONS.

TOLERANCES UNLESS OTHERWISE SPECIFIED:

DEC.	INCH	mm	ANGLE
.X	±0.1	[±2.5]	±0.5°
.XX	±0.01	[±0.25]	
.XXX	±0.005	[±0.127]	
.XXXX	±0.0005	[±0.0127]	

REMOVE BURRS & BREAK SHARP EDGES: .003/.015 [.076/.381] X 45°
CORNER FILLETS: R.02 [.51]
MACHINED SURFACES: 125/3.2 INCH/mm
mm SHOWN IN [BRACKETS]

DRAWN BY **DBT 12/16/97**

DATE

APPROVED BY **KH 12/17/97**

DATE

REFERENCE

THIRD ANGLE PROJECTION

REGAL™ Regal Beloit America, Inc.

DESCRIPTION
CONN DIAGRAM-EXTERNAL
3 PHASE WITH PROTECTOR

MATERIAL **DECAL - 004014 (TSTAT) - 080582** PROCESS/FINISH **STOCK**

SIZE **A** DRAWING NUMBER **00501020** SHEET **1 OF 1**



P.O. BOX 8003
WAUSAU, WI 54401-8003
PH. 715-675-3311

DATA VOLTS: 460

CERTIFICATION DATA SHEET

CONN. DIAGRAM: 005010.20
OUTLINE: 028792-700
WINDING: T634342

CAT #: 116757.00

FR 3

TYPICAL MOTOR PERFORMANCE DATA

HP	KW	SYNC RPM	FL RPM	FRAME	ENCLOSURE	TYPE	KVA CODE	DESIGN	
1	0.75	1800	1760	56H	TEFC	TFR	N	B	
PH	HZ	VOLTS	AMPS	START TYPE	DUTY	INSL	S.F.	AMB	ELEV.
3	60/50	230/460#190/380	3.1/1.55#3.5/1.75	ACROSS THE LINE	CONT	F	1.15	40	3300
F.L. EFF	F.L. PF	3/4 LD EFF	3/4 LD PF	1/2 LD EFF	1/2 LD PF	GTD EFF	ELECT. TYPE		
85.5	68.5	85.4	61.5	79.6	51.5	0.0	SQ CAGE IND RUN		
F.L. TORQUE	LR AMPS @ 460 V	L.R. TORQUE	B.D. TORQUE	F.L. RISE (°C)					
3.0 LB-FT	14.0	12.0 LB-FT	400%	15.8 LB-FT	527%	38			
PRESSURE @ 3	POWER	ROTOR WK²	MAX. LOAD WK²	SAFE STALL TIME	STARTS/HOUR	MOTOR WGT			
65 DBA	74 DBA	0.12 LB-FT²	0 LB-FT²	10 SEC.	0	0 LB.			

*** SUPPLEMENTAL INFORMATION ***

DE BRACKET TYPE	ODE BRACKET TYPE	MOUNT TYPE	MOTOR ORIENTATION	SEVERE DUTY	HAZARDOUS LOCATION	DRIP COVER	SCREENS	PAINT
STANDARD	STANDARD	RIGID	HORIZONTAL	NO	NONE	NO	NONE	N - LEESON WATTS
BEARINGS	GREASE	SHAFT TYPE	SPECIAL DE	SPECIAL ODE	SHAFT MATERIAL	FRAME MATERIAL		
BALL BALL 6203	POLYREX EM	STANDARD 56	NONE	NONE	1144 STRESSPROOF (C-223)	ROLLED STEEL		
THERMOSTATS	PROTECTORS	WDG RTD's	BRG RTD's	THERMISTORS	CONTROL	SPACE HEATERS		
TSTATS (N/C)	NOT	NONE	NONE	NONE	FALSE	NA		
R1 (ohms/ph)	R2 (ohms/ph)	X1 (ohms/ph)	X2 (ohms/ph)	Xm (ohms/ph)	VIBRATION (in/sec)	FLOAT ODE		
0	0	0	0	0	0.080	ODE		

* NOT TESTED		INVERTER TORQUE: NONE	
		INV. HP SPEED RANGE: NONE	
		ENCODER: NONE	
		BRAKE: NONE	
		FT-LB: NA	
		VOLTAGE: NONE	
		HZ: NONE	

DATE: 1/18/2018	UL: Y-(LEESON UL REC)
-----------------	-----------------------



Motor Load Data						LR	
Load	0%	25%	50%	75%	100%	115%	125%
Current (Amps)	1.00	1.02	1.16	1.35	1.60	1.70	1.80
Torque (ft-lb)	0.00	0.75	1.50	2.25	3.0	3.5	3.8
RPM	1800	1789	1779	1769	1760	1750	1745
Efficiency (%)		72.5	79.6	85.4	85.5	85.0	84.7
P.F. (%)	8.0	32.5	51.5	61.5	68.5	74.0	77.0

Motor Speed Data						Information Block			
	LR	Pull-Up	BD	Rated	Idle	HP	Sync. RPM	Frame	Enclosure
Speed (RPM)	0	900	1170	1760	1800	1.0	1800	140	TEFC
Current (Amps)	14.0	13.0	9.9	1.60	1.00				TFR
Torque (ft-lb)	12.0	11.9	15.8	3.0	0.00		230/460#190/380		

Construction	TFRR
Voltage	230/460#190/380 V
Frequency	60 Hz
Design	B
LR Code letter	N
Service Factor	1.15
Temp Rise @ FL	38 °C
Duty	CONT
Ambient	40 °C
Elevation	1,000 feet
Rotor/Shaft wk ²	0.12 LB-Ft ²
Ref Wdg	T634342 FR
Sound Pressure @ 1M	65 dBA
VFD Rating	NONE
Outline Dwg	028792-700
Conn. Diag	005010.20
Additional Specifications:	
0	
EQUIV CKT (OHMS / PHASE)	
R1	R2
0.0000	0.0000
X1	X2
0.0000	0.0000
Xm	
0.0000	

