

PRODUCT INFORMATION PACKET



Model No: C6T34DK18A
Catalog No: 116699.00
..5HP..3490RPM.56.DP.230/460V.3PH.60HZ.CONT.40C.1.15SF.RIGID
C.C6T34DK18A.....NOT....3.7/2.2kW...
Jet Pump



Regal and Leeson are trademarks of Regal Beloit Corporation or one of its affiliated companies.
©2018 Regal Beloit Corporation, All Rights Reserved. MC017097E





Nameplate Specifications

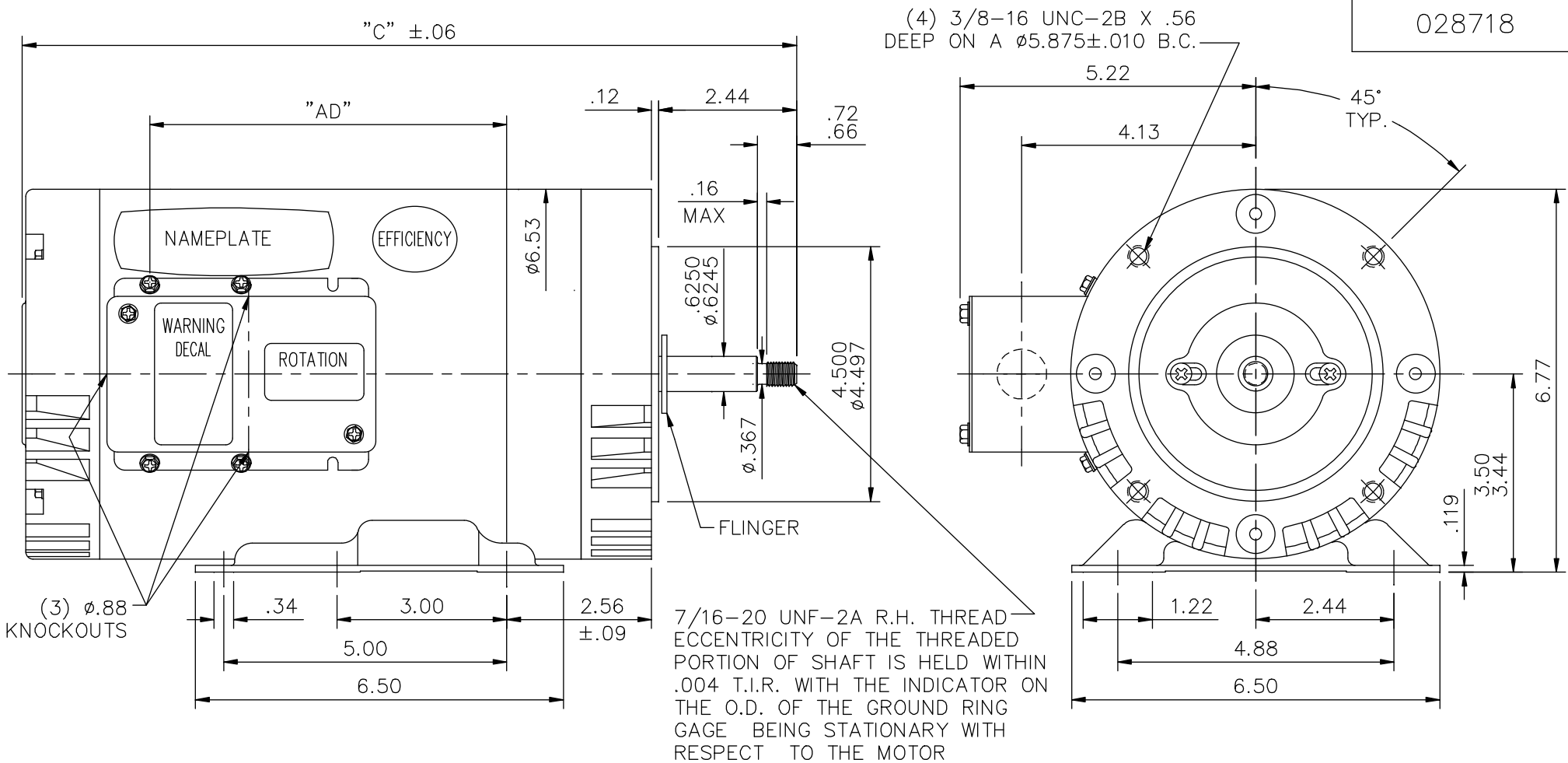
Output HP	5 Hp	Output KW	3.7 kW
Frequency	60 Hz	Voltage	230/460 V
Current	12.4/6.2 A	Speed	3490 rpm
Service Factor	1.15	Phase	3
Efficiency	85.5 %	Duty	Continuous
Insulation Class	F	Design Code	A
KVA Code	L	Frame	56HJ
Enclosure	Drip Proof	Overload Protector	No
Ambient Temperature	40 °C	Drive End Bearing Size	6205
Opp Drive End Bearing Size	6203	UL	Recognized
CSA	Y	CE	N
IP Code	22		

Technical Specifications

Electrical Type	Squirrel Cage Induction Run	Starting Method	Across The Line
Poles	2	Rotation	Reversible
Mounting	Rigid base	Motor Orientation	HORIZONTAL
Drive End Bearing	BALL	Opp Drive End Bearing	BALL
Frame Material	Rolled Steel	Shaft Type	J
Overall Length	13.68 in	Frame Length	8.50 in
Shaft Diameter	0.625 in	Shaft Extension	2.44 in
Assembly/Box Mounting	F1 ONLY		
Outline Drawing	028718-850	Connection Diagram	005010.01


This is an uncontrolled document once printed or downloaded and is subject to change without notice. Date Created: 10/15/2018

028718



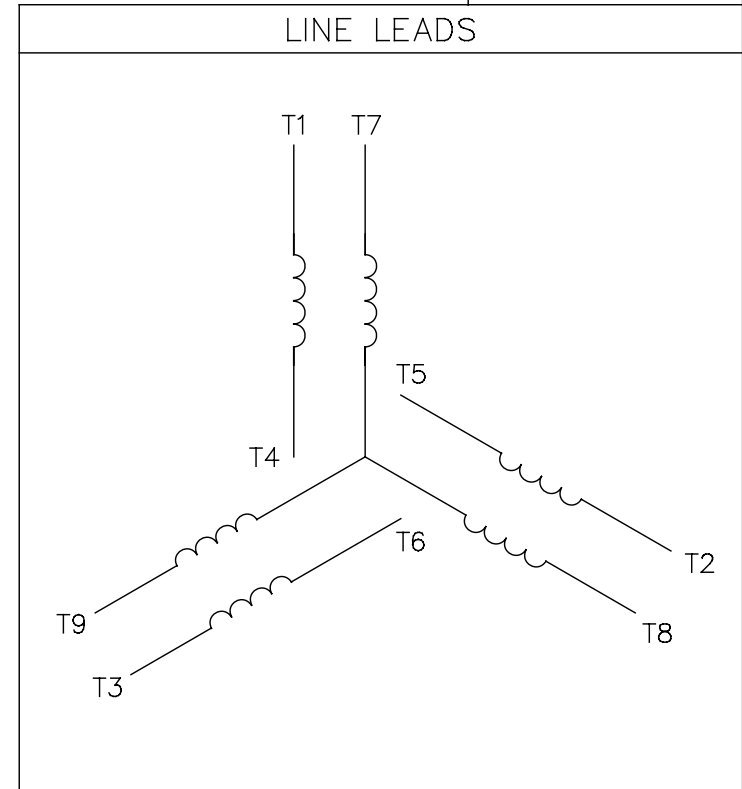
NOTES:
 FLINGER ON SHAFT
 STAINLESS STEEL SHAFT EXTENSION
 MAXIMUM FACE RUNOUT TO BE .004 T.I.R.
 MAXIMUM PILOT ECCENTRICITY .004 T.I.R.

DASH NO.	"C"	"AD"
650	11.68	4.31
700	12.18	4.81
750	12.68	5.31
800	13.18	5.81
850	13.68	6.31

				TOLERANCES UNLESS SPECIFIED		 ELECTRIC MOTORS GEARMOTORS AND DRIVES		DRAWN LST 8/30/05	
				DEC.	INCHES			CHK	RW 9/1/05
				.X	±.1			APPD	KH 9/1/05
03	ADDED TOL. TO 5.875 DIM. PER ECR-0047655	ARV 12/1/13	SK	.XX	±.03	TITLE	OUTLINE- 56HJ FRAME DRIP PROOF- RIGID "C"	SCALE	3=8
02	ADDED ROTATION DECAL PER ASSEMBLY	GWS 8/5/11		.XXX	±.005			REF	
01	CHANGED TO "H" BASE	RDW 4/11/06	KH	.XXXX	±.0005	MAT'L.	JET PUMP	FMF	
NO.	REVISION	BY & DATE	CHK	ANG	±1/2'	FINISH		PREV	
			RFP			CAD FILE	028718	SIZE	DRAWING NO.
			DIST					A	028718
									REV. 03

005010-01

VIEW FROM OUTSIDE OF MOTOR AT SWITCH END.



VOLTAGE	L1	L2	L3	JOIN & INSULATE
HIGH	T1	T2	T3	(T4,T7) (T5,T8) (T6,T9)
LOW	T1,T7	T2,T8	T3,T9	T4,T5,T6

				TOLERANCES UNLESS SPECIFIED		Regal Beloit America, Inc.		DRAWN RDW 04/12/02				
				DEC.	INCHES			CHK				
				.X	±.1			APPD				
				.XX	±.01			SCALE 1=1				
				.XXX	±.005	TITLE		REF FIG.2-51				
A	UPDATED TO REGAL LOGO			SAJ	06/26/15	AJY	.XXXX	±.0005	MAT'L. DECAL - 004014	FMF		
NO.	REVISION			BY & DATE	CHK	ANG	±1/2"	FINISH	PREV			
THIS DRAWING IN DESIGN AND DETAIL IS OUR PROPERTY AND MUST NOT BE USED EXCEPT IN CONNECTION WITH OUR WORK ALL RIGHTS OF DESIGN AND INVENTION ARE RESERVED THIS IS AN ELECTRONICALLY GENERATED DOCUMENT - DO NOT SCALE THIS PRINT				RFP	04/12/02		CAD FILE	00501001		SIZE	DRAWING NO.	REV.
				DIST	BRF-NLV			A	005010-01		A	

Date: 1/18/2018

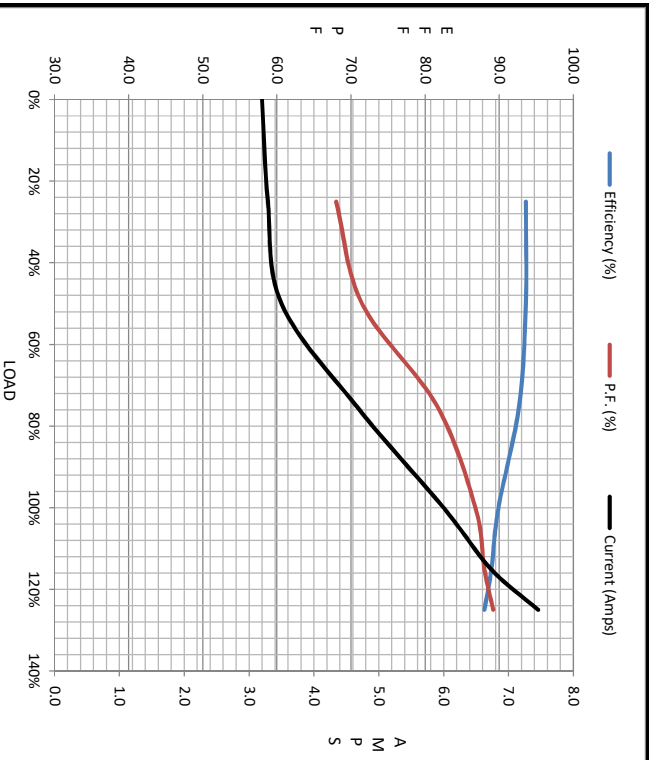
116699.00



Data @ 460 V

Motor Load Data						LR	
Load	0%	25%	50%	75%	100%	115%	125%
Current (Amps)	3.2	3.3	3.5	4.7	6.0	6.7	7.5
Torque (ft-lb)	0.00	3.3	3.7	3.4	7.5	8.5	9.5
RPM	3600	3557	3551	3522	3488	3474	3454
Efficiency (%)		93.6	93.6	92.7	89.9	88.0	88.0
P.F. (%)	5.6	68.0	71.5	81.6	86.8	88.0	89.2

Motor Speed Data						Information Block																					
	LR	Pull-Up	BD	Rated	Idle	HP	Sync. RPM	Frame	Enclosure	Construction	Voltage	Frequency	Design	LR Code letter	Service Factor	Temp Rise @ FL	Duty	Ambient	Elevation	Rotor/Shaft wk ²	Ref Wdg	Sound Pressure @ 1M	VFD Rating	Outline Dwg	Conn. Diag	Additional Specifications:	
Speed (RPM)	0	400	2400	3488	3600	5.0	3600	140	DP	NA	230/460#190/380	60	A	L	1.15	60	CONT	40	1,000	0.07	NONE	0	NONE	028718-850	005010.01		
Current (Amps)	59.0	54.3	35.4	6.0	3.2																						
Torque (ft-lb)	25.0	23.0	31.0	7.5	0.00																						



	R1	R2	X1	X2	Xm
EQUIV CKT (OHMS / PHASE)	0.0000	0.0000	0.0000	0.0000	0.0000

