

# PRODUCT INFORMATION PACKET



Model No: C6T17FC204C  
Catalog No: 116645.00  
..3/4HP..1725RPM.56.TEFC.208-  
230/460V.3PH.60HZ.CONT.40C.1.15SF.ROUND.C6T17FC204C.....WASHGUARD.NOT.....  
General Purpose



Regal and Leeson are trademarks of Regal Beloit Corporation or one of its affiliated companies.

©2018 Regal Beloit Corporation, All Rights Reserved. MC017097E





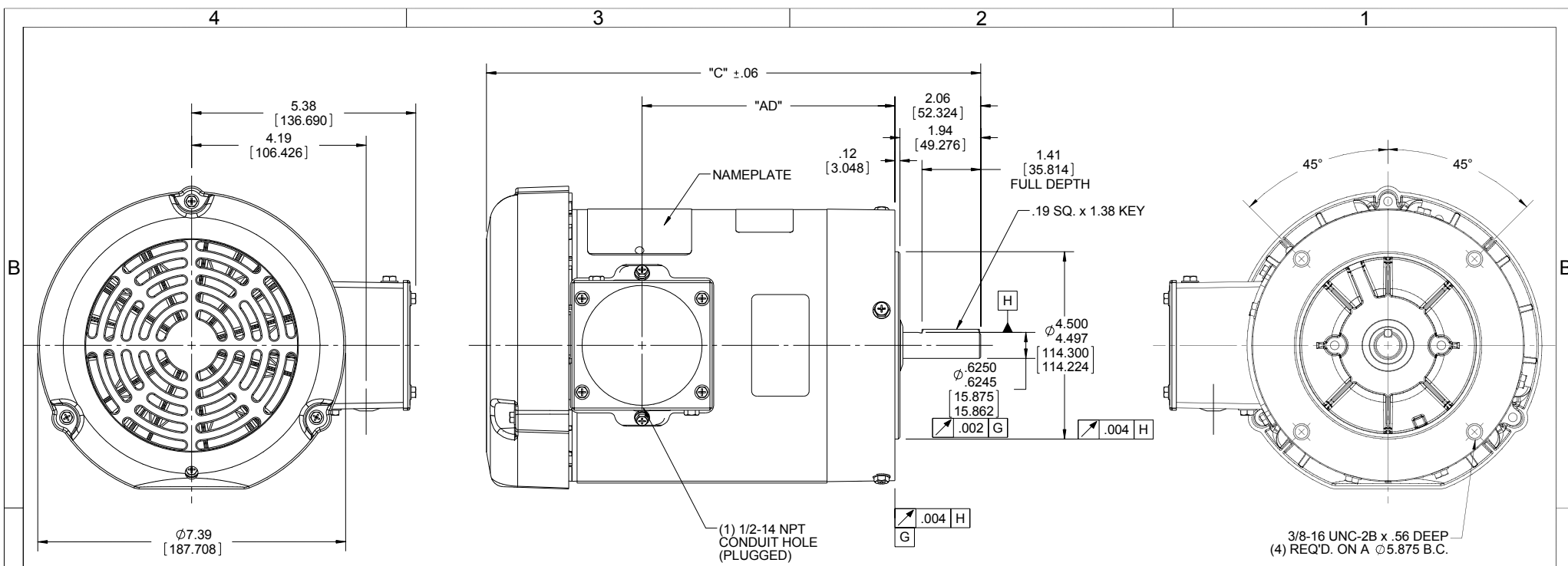
### Nameplate Specifications

Output HP	<b>0.75 Hp</b>	Output KW	<b>0.56 kW</b>
Frequency	<b>60 Hz</b>	Voltage	<b>208-230/460 V</b>
Current	<b>2.7-2.8/1.4 A</b>	Speed	<b>1725 rpm</b>
Service Factor	<b>1.15</b>	Phase	<b>3</b>
Efficiency	<b>77 %</b>	Duty	<b>Continuous</b>
Insulation Class	<b>F</b>	Design Code	<b>B</b>
KVA Code	<b>K</b>	Frame	<b>56C</b>
Enclosure	<b>Totally Enclosed Fan Cooled</b>	Overload Protector	<b>No</b>
Ambient Temperature	<b>40 °C</b>	Drive End Bearing Size	<b>6205</b>
Opp Drive End Bearing Size	<b>6203</b>	UL	<b>Recognized</b>
CSA	<b>Y</b>	CE	<b>Y</b>
IP Code	<b>55</b>		

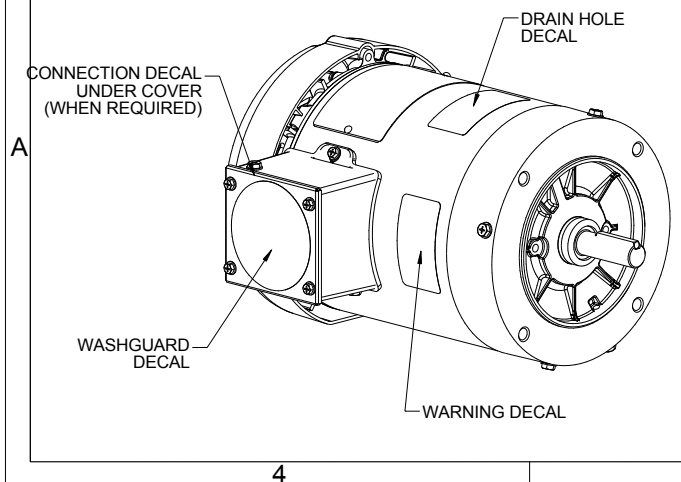
### Technical Specifications

Electrical Type	<b>Squirrel Cage Induction Run</b>	Starting Method	<b>Across The Line</b>
Poles	<b>4</b>	Rotation	<b>Reversible</b>
Mounting	<b>Round</b>	Motor Orientation	<b>HORIZONTAL</b>
Drive End Bearing	<b>BALL</b>	Opp Drive End Bearing	<b>BALL</b>
Frame Material	<b>Rolled Steel</b>	Shaft Type	<b>NEMA 56</b>
Overall Length	<b>10.87 in</b>	Frame Length	<b>5.00 in</b>
Shaft Diameter	<b>0.625 in</b>	Shaft Extension	<b>1.88 in</b>
Assembly/Box Mounting	<b>F1 ONLY</b>		
Outline Drawing	<b>607-0006-500</b>	Connection Diagram	<b>005010.01</b>

**This is an uncontrolled document once printed or downloaded and is subject to change without notice. Date Created: 10/15/2018**



DASH NO.	"C"	"AD"
450	10.37	4.56
500	10.87	5.06
550	11.37	5.56
600	11.87	6.06
650	12.37	6.56
675	12.62	6.81
700	12.87	7.06
750	13.37	7.56
775	13.62	7.81
800	13.87	8.06



**WASHGUARD MOTOR**  
 SPECIAL FEATURES:  
 1. SHAFT SEALS & V-RING.  
 2. PLUGGED DRAIN HOLES IN ENDBELLS & CONDUIT BOX.  
 3. BUNA-N GASKETS THROUGHOUT.  
 4. STAINLESS STEEL SHAFT, HARDWARE & NAMEPLATE.

DRAWING REVISION D		REVISION BY SAJID	DATE 10/01/2015	TOLERANCES UNLESS OTHERWISE SPECIFIED:		DRAWN BY PG 02/08/11		Regal Beloit America, Inc.		
ECO ECO-0081887		APPROVED BY	DATE	DEC.	INCH	mm	ANGLE			
ECO DESCRIPTION				XX	$\pm 0.1$	[ $\pm 2.5$ ]	$\pm 0.5^\circ$	DATE		
ADDED ITEMS #800				.XX	$\pm 0.01$	[ $\pm 0.25$ ]		APPROVED BY		
COPYRIGHT REGAL BELOIT AMERICA, INC. ALL RIGHTS RESERVED. PROPRIETARY AND CONFIDENTIAL INFORMATION - THIS DOCUMENT IS THE PROPERTY OF REGAL BELOIT AMERICA, INC. ("OWNER") AND CONTAINS OWNER'S PROPRIETARY INFORMATION. ANY PERSON, CORPORATION OR OTHER FIRM RECEIVING IT IS DEEMED, BY RECEIVING IT, TO AGREE THAT IT, AND/OR ANY PART OF IT, SHALL NOT BE DISCLOSED TO ANY PERSON, CORPORATION OR OTHER ENTITY, DUPLICATED, AND/OR USED, EXCEPT AS EXPRESSLY APPROVED IN WRITING IN ADVANCE BY OWNER. THIS DOCUMENT SHALL BE RETURNED TO OWNER UPON REQUEST. IT MAY BE SUBJECT TO CERTAIN RESTRICTIONS UNDER APPLICABLE EXPORT CONTROL LAWS AND REGULATIONS.				.XXX	$\pm 0.005$	[ $\pm 0.127$ ]		DATE		
				.XXXX	$\pm 0.0005$	[ $\pm 0.0127$ ]		REFERENCE		
				REMOVE BURRS & BREAK SHARP EDGES: .003/.015 [076/381] X 45° CORNER FILLETS: R.02 [51] MACHINED SURFACES: $125 \sqrt{3.2}$ INCH/mm			THIRD ANGLE PROJECTION		MATERIAL WASHGUARD	
				mm SHOWN IN [BRACKETS]				DESCRIPTION <b>OUTLINE</b> TEFC - "C" FACE		
								PROCESS/FINISH		
								DRAWING NUMBER <b>607-0006</b>		
								SHEET 1 OF 1		

005010-01

VIEW FROM OUTSIDE OF MOTOR AT SWITCH END.



VOLTAGE	L1	L2	L3	JOIN & INSULATE
HIGH	T1	T2	T3	(T4,T7) (T5,T8) (T6,T9)
LOW	T1,T7	T2,T8	T3,T9	T4,T5,T6

				TOLERANCES UNLESS SPECIFIED		<b>Regal Beloit America, Inc.</b>		DRAWN RDW 04/12/02			
				DEC.	INCHES			CHK			
				.X	±.1			APPD			
				.XX	±.01			SCALE 1=1			
				.XXX	±.005	TITLE		REF FIG.2-51			
A	UPDATED TO REGAL LOGO	SAJ 06/26/15	AJY	.XXXX	±.0005	MAT'L.		FMF			
NO.	REVISION	BY & DATE	CHK	ANG	±1/2"	FINISH		PREV			
THIS DRAWING IN DESIGN AND DETAIL IS OUR PROPERTY AND MUST NOT BE USED EXCEPT IN CONNECTION WITH OUR WORK ALL RIGHTS OF DESIGN AND INVENTION ARE RESERVED THIS IS AN ELECTRONICALLY GENERATED DOCUMENT - DO NOT SCALE THIS PRINT				RFP	04/12/02	CAD FILE		00501001	SIZE	DRAWING NO.	REV.
				DIST		BRF-NLV		A	005010-01	A	



P.O. BOX 8003  
WAUSAU, WI 54401-8003  
PH. 715-675-3311

DATA VOLTS: 460

CERTIFICATION DATA SHEET

CONN. DIAGRAM: 005010.01  
OUTLINE: 607-0006-500  
WINDING: T634188

CAT #: 116645.00

FR 3

TYPICAL MOTOR PERFORMANCE DATA

HP	KW	SYNC RPM	FL RPM	FRAME	ENCLOSURE	TYPE	KVA CODE	DESIGN	
0.75	0.56	1800	1745	56C	TEFC	TFR	K	B	
PH	HZ	VOLTS	AMPS	START TYPE	DUTY	INSL	S.F.	AMB	ELEV.
3	60/50	208-230/460#190/380	2.7-2.8/1.482/6/1.3	ACROSS THE LINE	CONT	F	1.15	40	3300
	F.L. EFF	77.3	3/4 LD EFF	75.6	1/2 LD EFF	70.3	GTD EFF		ELECT. TYPE
	F.L. PF	64.6	3/4 LD PF	54.7	1/2 LD PF	42.5	0.0		SO CAGE IND RUN
	F.L. TORQUE	LR AMPS @ 460 V	L.R. TORQUE	295%	B.D. TORQUE	2,137 LB-FT	372%	60	F.L. RISE (°C)
	574 LB-FT	8.1	1,691 LB-FT						
	PRESSURE @ 3	POWER	ROTOR WK²	MAX. LOAD WK²	SAFE STALL TIME	STARTS/HOUR			MOTOR WGT
	52 DBA	61 DBA	0.06 LB-FT²	0.1 LB-FT²	10 SEC.	0			0 LB.

\*\*\* SUPPLEMENTAL INFORMATION \*\*\*

DE BRACKET TYPE	ODE BRACKET TYPE	MOUNT TYPE	MOTOR ORIENTATION	SEVERE DUTY	HAZARDOUS LOCATION	DRIP COVER	SCREENS	PAINT
C-FACE	STANDARD	ROUND	HORIZONTAL	NO	NONE	NO	NONE	ITE - LEESON (EPO
BEARINGS	GREASE	SHAFT TYPE	SPECIAL DE	SPECIAL ODE	SHAFT	MATERIAL	FRAME MATERIAL	
DE ODE	BALL	POLYREX EM	STANDARD 56	NONE	NONE	303 STAINLESS (C-501)	ROLLED STEEL	
6205	6203							
THERMOSTATS	PROTECTORS	WDG RTD's	BRG RTD's	THERMISTORS	CONTROL	SPACE HEATERS		
NONE	NOT	NONE	NONE	NONE	FALSE	NA		
R1 (ohms/ph)	R2 (ohms/ph)	X1 (ohms/ph)	X2 (ohms/ph)	Xm (ohms/ph)	VIBRATION (in/sec)	FLOAT		
0	0	0	0	0	0.080	ODE		

* NOT TESTED		INVERTER TORQUE: NONE	
		INV. HP SPEED RANGE: NONE	
		ENCODER: NONE	
		BRAKE: NONE	
		FT-LB: NA	
		VOLTAGE: NONE	
		UL: Y-(LEESON UL REC)	
		NONE PPR	

DATE:	2/20/2018	HZ:	
-------	-----------	-----	--



P.O. BOX 8003  
WAUSAU, WI 54401-8003  
PH. 715-675-3311

DATA VOLTS: 460

CERTIFICATION DATA SHEET

CONN. DIAGRAM: 005010.01  
OUTLINE: 607-0006-500  
WINDING: T634188

CAT #: 116645.00

FR 3

TYPICAL MOTOR PERFORMANCE DATA

HP	KW	SYNC RPM	FL RPM	FRAME	ENCLOSURE	TYPE	KVA CODE	DESIGN	
0.75	0.56	1800	1745	56C	TEFC	TFR	K	B	
PH	HZ	VOLTS	AMPS	START TYPE	DUTY	INSL	S.F.	AMB	ELEV.
3	60/50	208-230/460#190/380	2.7-2.8/1.482/6/1.3	ACROSS THE LINE	CONT	F	1.15	40	3300
	F.L. EFF	77.3	3/4 LD EFF	75.6	1/2 LD EFF	70.3	GTD EFF		ELECT. TYPE
	F.L. PF	64.6	3/4 LD PF	54.7	1/2 LD PF	42.5	0.0		SO CAGE IND RUN
	F.L. TORQUE	LR AMPS @ 460 V	L.R. TORQUE	295%	B.D. TORQUE	2,137 LB-FT	372%	60	F.L. RISE (°C)
	574 LB-FT	8.1	1,691 LB-FT						
	PRESSURE @ 3	POWER	ROTOR WK²	MAX. LOAD WK²	SAFE STALL TIME	STARTS/HOUR			MOTOR WGT
	52 DBA	61 DBA	0.06 LB-FT²	0.1 LB-FT²	10 SEC.	0			0 LB.

\*\*\* SUPPLEMENTAL INFORMATION \*\*\*

DE BRACKET TYPE	ODE BRACKET TYPE	MOUNT TYPE	MOTOR ORIENTATION	SEVERE DUTY	HAZARDOUS LOCATION	DRIIP COVER	SCREENS	PAINT
C-FACE	STANDARD	ROUND	HORIZONTAL	NO	NONE	NO	NONE	ITE - LEESON (EPO
BEARINGS	GREASE	SHAFT TYPE	SPECIAL DE	SPECIAL ODE	SHAFT MATERIAL	FRAME MATERIAL		
DE ODE	POLYREX EM	STANDARD 56	NONE	NONE	303 STAINLESS (C-501)	ROLLED STEEL		
BALL BALL								
6205	6203							
THERMOSTATS	PROTECTORS	WDG RTD's	BRG RTD's	THERMISTORS	CONTROL	SPACE HEATERS		
NONE	NOT	NONE	NONE	NONE	FALSE	NA		
R1 (ohms/ph)	R2 (ohms/ph)	X1 (ohms/ph)	X2 (ohms/ph)	Xm (ohms/ph)	VIBRATION (in/sec)	FLOAT ODE		
0	0	0	0	0	0.080			

* N O T E S *		INVERTER TORQUE: NONE	
		INV. HP SPEED RANGE: NONE	
		ENCODER: NONE	
		NONE	
		NONE	
		BRAKE: NONE	
		NONE	
		FT-LB: NA	
		NONE	
		NONE	
		NONE PPR	

DATE:	1/24/2018	UL: Y-(LEESON UL REC)	HZ:
-------	-----------	-----------------------	-----