

# PRODUCT INFORMATION PACKET



Model No: C6T17WC23C

Catalog No: 116642.00

..1/3HP..1725RPM.56.TEFC.208-

230/460V.3PH.60HZ.CONT.40C.1.15SF.ROUND.C6T17WC23C.....WASHGUARD.NOT.....25/.18kW...

General Purpose



Regal and Leeson are trademarks of Regal Beloit Corporation or one of its affiliated companies.

©2018 Regal Beloit Corporation, All Rights Reserved. MC017097E





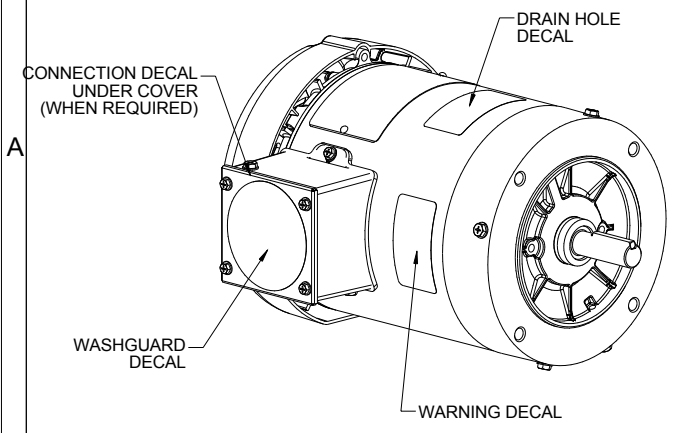
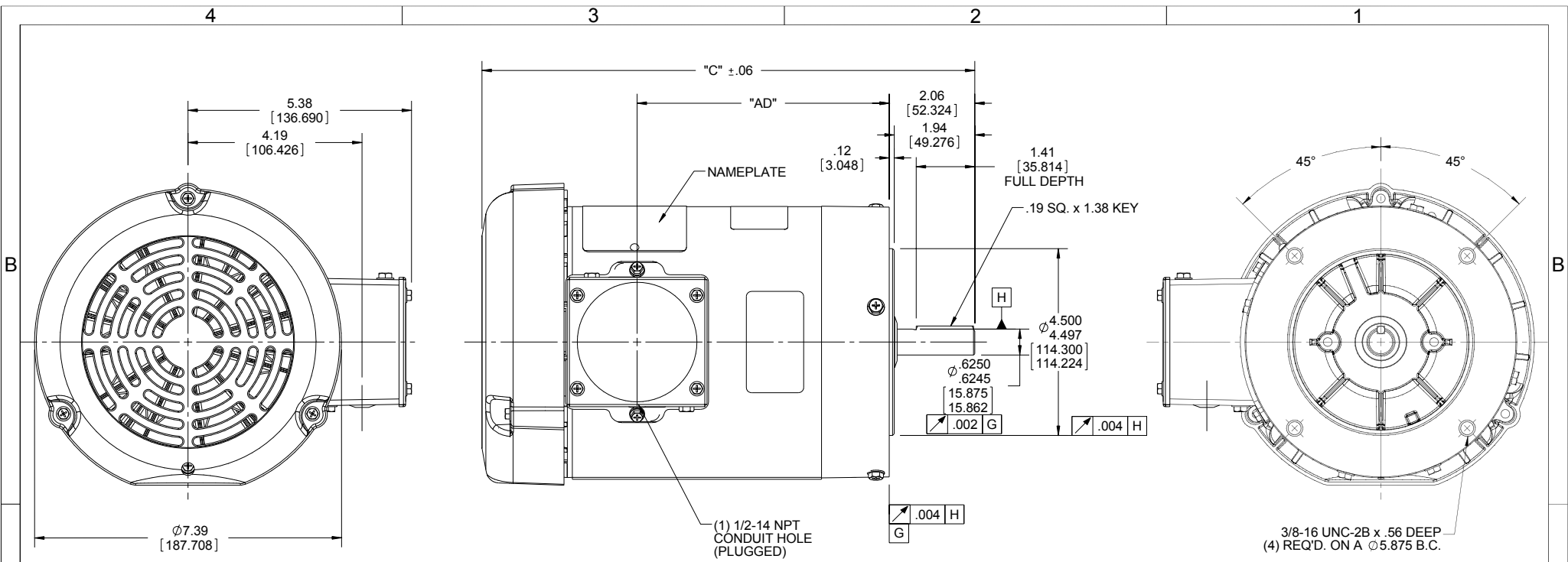
### Nameplate Specifications

Output HP	<b>0.33 Hp</b>	Output KW	<b>0.25 kW</b>
Frequency	<b>60 Hz</b>	Voltage	<b>208-230/460 V</b>
Current	<b>1.6-1.7/0.85 A</b>	Speed	<b>1725 rpm</b>
Service Factor	<b>1.15</b>	Phase	<b>3</b>
Efficiency	<b>68 %</b>	Duty	<b>Continuous</b>
Insulation Class	<b>F</b>	Design Code	<b>B</b>
KVA Code	<b>L</b>	Frame	<b>56C</b>
Enclosure	<b>Totally Enclosed Fan Cooled</b>	Overload Protector	<b>No</b>
Ambient Temperature	<b>40 °C</b>	Drive End Bearing Size	<b>6205</b>
Opp Drive End Bearing Size	<b>6203</b>	UL	<b>Recognized</b>
CSA	<b>Y</b>	CE	<b>Y</b>
IP Code	<b>55</b>		

### Technical Specifications

Electrical Type	<b>Squirrel Cage Induction Run</b>	Starting Method	<b>Across The Line</b>
Poles	<b>4</b>	Rotation	<b>Reversible</b>
Mounting	<b>Round</b>	Motor Orientation	<b>HORIZONTAL</b>
Drive End Bearing	<b>BALL</b>	Opp Drive End Bearing	<b>BALL</b>
Frame Material	<b>Rolled Steel</b>	Shaft Type	<b>NEMA 56</b>
Overall Length	<b>10.37 in</b>	Frame Length	<b>4.50 in</b>
Shaft Diameter	<b>0.625 in</b>	Shaft Extension	<b>1.88 in</b>
Assembly/Box Mounting	<b>F1 ONLY</b>		
Outline Drawing	<b>607-0006-450</b>	Connection Diagram	<b>005010.01</b>

**This is an uncontrolled document once printed or downloaded and is subject to change without notice. Date Created: 10/15/2018**



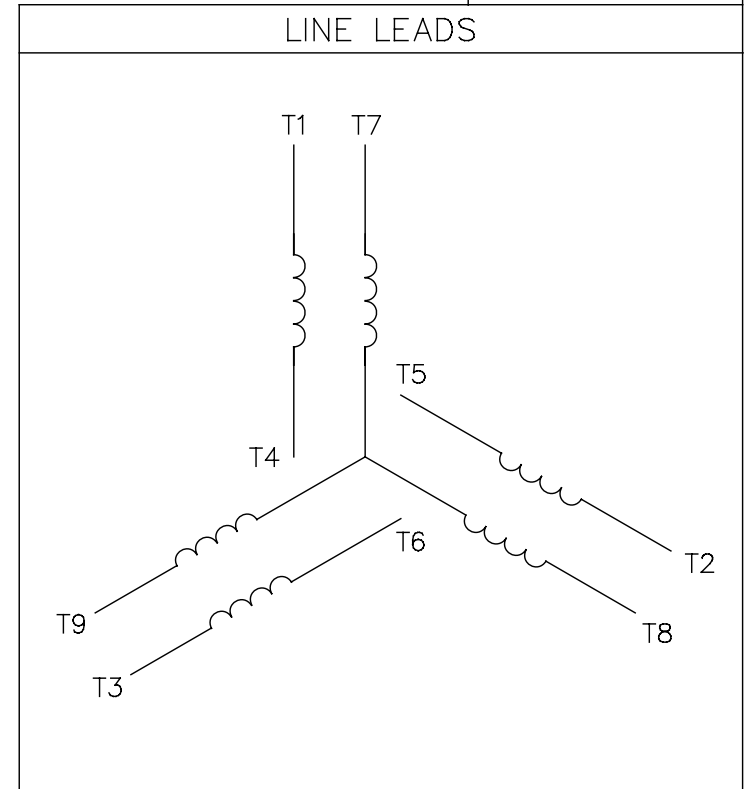
DASH NO.	"C"	"AD"
450	10.37	4.56
500	10.87	5.06
550	11.37	5.56
600	11.87	6.06
650	12.37	6.56
675	12.62	6.81
700	12.87	7.06
750	13.37	7.56
775	13.62	7.81
800	13.87	8.06

**WASHGUARD MOTOR**  
 SPECIAL FEATURES:  
 1. SHAFT SEALS & V-RING.  
 2. PLUGGED DRAIN HOLES IN ENDBELLS & CONDUIT BOX.  
 3. BUNA-N GASKETS THROUGHOUT.  
 4. STAINLESS STEEL SHAFT, HARDWARE & NAMEPLATE.

DRAWING REVISION D		REVISION BY SAJID	DATE 10/01/2015	TOLERANCES UNLESS OTHERWISE SPECIFIED:		DRAWN BY PG 02/08/11	Regal Beloit America, Inc.
ECO ECO-0081887		APPROVED BY	DATE	DEC.	INCH	mm	
ECO DESCRIPTION		ADDED ITEMS #800		X	+0.1	[+2.5]	$\pm 0.5^\circ$
COPYRIGHT REGAL BELOIT AMERICA, INC. ALL RIGHTS RESERVED. PROPRIETARY AND CONFIDENTIAL INFORMATION - THIS DOCUMENT IS THE PROPERTY OF REGAL BELOIT AMERICA, INC. ("OWNER") AND CONTAINS OWNER'S PROPRIETARY INFORMATION. ANY PERSON, CORPORATION OR OTHER FIRM RECEIVING IT IS DEEMED, BY RECEIVING IT, TO AGREE THAT IT, AND/OR ANY PART OF IT, SHALL NOT BE DISCLOSED TO ANY PERSON, CORPORATION OR OTHER ENTITY, DUPLICATED, AND/OR USED, EXCEPT AS EXPRESSLY APPROVED IN WRITING IN ADVANCE BY OWNER. THIS DOCUMENT SHALL BE RETURNED TO OWNER UPON REQUEST. IT MAY BE SUBJECT TO CERTAIN RESTRICTIONS UNDER APPLICABLE EXPORT CONTROL LAWS AND REGULATIONS.				REMOVE BURRS & BREAK SHARP EDGES: .003/.015 [0.076/.381] X 45° CORNER FILLETS: R.02 [51]	XXX	$\pm 0.005$	[ $\pm 0.127$ ]
REFERENCE		DATE		XXXX	$\pm 0.0005$	[ $\pm 0.0127$ ]	
THIRD ANGLE PROJECTION		MATERIAL WASHGUARD		PROCESS/FINISH		DESCRIPTION <b>OUTLINE</b> TEFC - "C" FACE	
SIZE B		DRAWING NUMBER 607-0006		SHEET 1 OF 1			

005010-01

VIEW FROM OUTSIDE OF MOTOR AT SWITCH END.



VOLTAGE	L1	L2	L3	JOIN & INSULATE
HIGH	T1	T2	T3	(T4,T7) (T5,T8) (T6,T9)
LOW	T1,T7	T2,T8	T3,T9	T4,T5,T6

				TOLERANCES UNLESS SPECIFIED		<b>REGAL</b> ™ Regal Beloit America, Inc.		DRAWN RDW 04/12/02			
				DEC.	INCHES			CHK			
				.X	±.1			APPD			
				.XX	±.01			SCALE 1=1			
				.XXX	±.005	TITLE		EXTERNAL WIRING DIAGRAM 3 PHASE W/O PROTECTOR			
A	UPDATED TO REGAL LOGO	SAJ 06/26/15	AJY	.XXXX	±.0005	MAT'L.		DECAL - 004014			
NO.	REVISION	BY & DATE	CHK	ANG	±1/2"	FINISH		PREV			
THIS DRAWING IN DESIGN AND DETAIL IS OUR PROPERTY AND MUST NOT BE USED EXCEPT IN CONNECTION WITH OUR WORK ALL RIGHTS OF DESIGN AND INVENTION ARE RESERVED THIS IS AN ELECTRONICALLY GENERATED DOCUMENT - DO NOT SCALE THIS PRINT				RFP	04/12/02	CAD FILE		00501001	SIZE	DRAWING NO.	REV.
				DIST	BRF-NLV			A	005010-01	A	



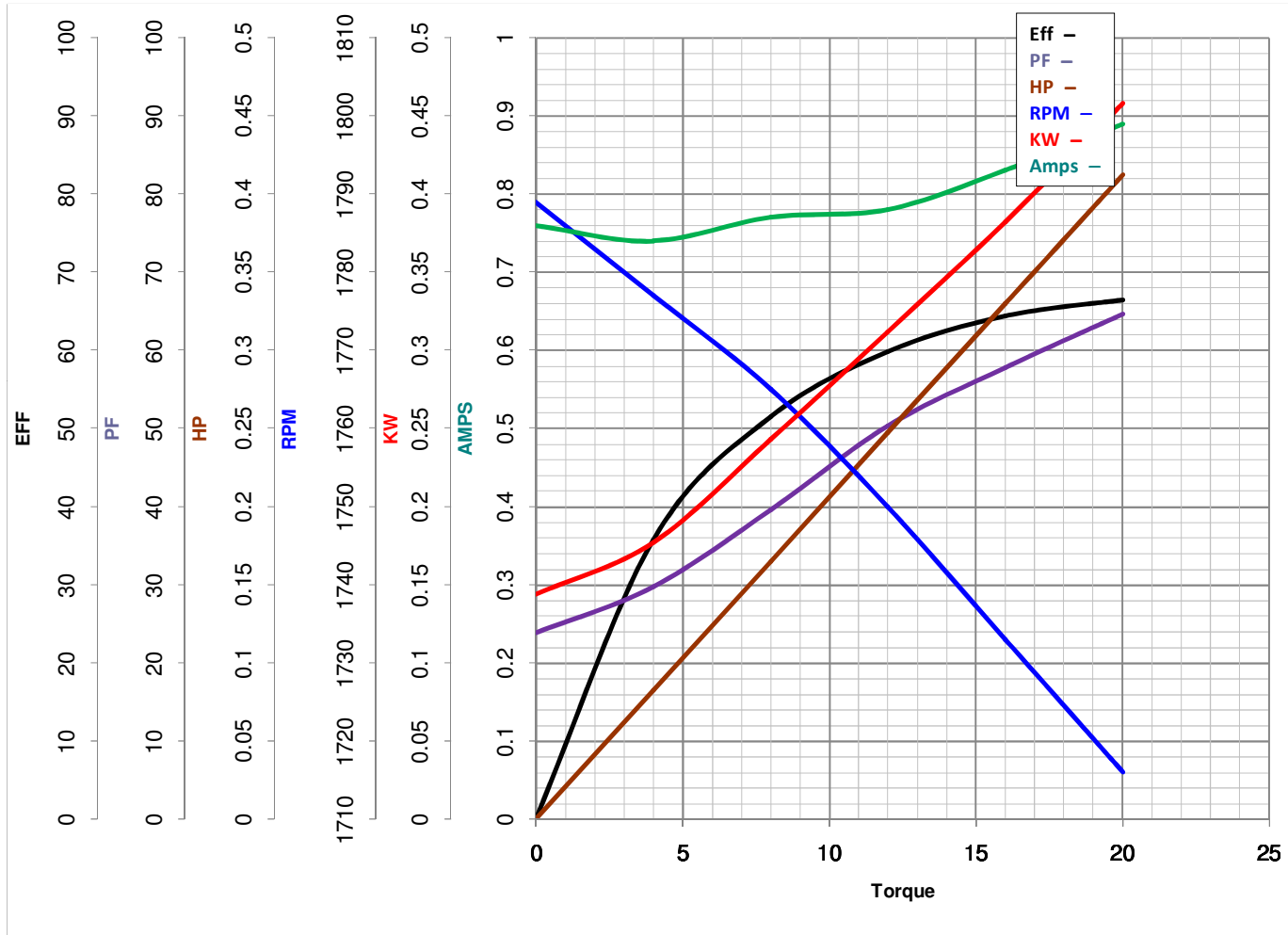
**LEESON ELECTRIC CORPORATION**  
 TYPICAL PERFORMANCE CURVE for AC MOTOR

Model No 116642.00

Catalog No 116642.00

Curve at 460 Volts      HP 0.34&0.26      PHASE 3  
60 HZ  
0.33 HP      VOLTS 208-230/460&190/380

HZ 60&50      RPM 1725&1425



Torque in Oz.Ft

FL TORQUE 16 Oz.Ft  
 BD TORQUE 80.0 Oz.Ft  
 LR TORQUE 46.7 Oz.Ft

FL AMPS 1.6-1.7/.85  
 PU TORQUE 60.0 Oz.Ft  
 LR AMPS 3.65

WINDING T634201-3

Date 5/22/2018