

# PRODUCT INFORMATION PACKET



Model No: A6C17DR54B  
Catalog No: 116599.00  
1HP..1725RPM.56H.DP./V.1PH.60HZ.CONT.AUTOMATIC.40C.1.2SF.RESIL.  
Fan and Blower



Regal and Leeson are trademarks of Regal Beloit Corporation or one of its affiliated companies.  
©2018 Regal Beloit Corporation, All Rights Reserved. MC017097E





### Nameplate Specifications

Output HP	<b>1 Hp</b>	Output KW	<b>0.75 kW</b>
Frequency	<b>60 Hz</b>	Voltage	<b>277 V</b>
Current	<b>5.4 A</b>	Speed	<b>1725 rpm</b>
Service Factor	<b>1.2</b>	Phase	<b>1</b>
Efficiency	<b>75 %</b>	Duty	<b>Continuous</b>
Insulation Class	<b>B</b>	Design Code	<b>L</b>
KVA Code	<b>K</b>	Frame	<b>56H</b>
Enclosure	<b>Drip Proof</b>	Overload Protector	<b>Automatic</b>
Ambient Temperature	<b>40 °C</b>	Drive End Bearing Size	<b>6203</b>
Opp Drive End Bearing Size	<b>6203</b>	UL	<b>Recognized</b>
CSA	<b>Y</b>	CE	<b>N</b>
IP Code	<b>22</b>		

### Technical Specifications

Electrical Type	<b>Capacitor Start Induction Run</b>	Starting Method	<b>Across The Line</b>
Poles	<b>4</b>	Rotation	<b>Selective Counterclockwise</b>
Mounting	<b>Resilient Base</b>	Motor Orientation	<b>HORIZONTAL</b>
Drive End Bearing	<b>BALL</b>	Opp Drive End Bearing	<b>BALL</b>
Frame Material	<b>Rolled Steel</b>	Shaft Type	<b>NEMA 56</b>
Overall Length	<b>11.82 in</b>	Frame Length	<b>6.00 in</b>
Shaft Diameter	<b>0.625 in</b>	Shaft Extension	<b>1.88 in</b>
Assembly/Box Mounting	<b>F1 ONLY</b>		
Outline Drawing	<b>028631-600C</b>	Connection Diagram	<b>005162.01</b>

**This is an uncontrolled document once printed or downloaded and is subject to change without notice. Date Created: 10/15/2018**

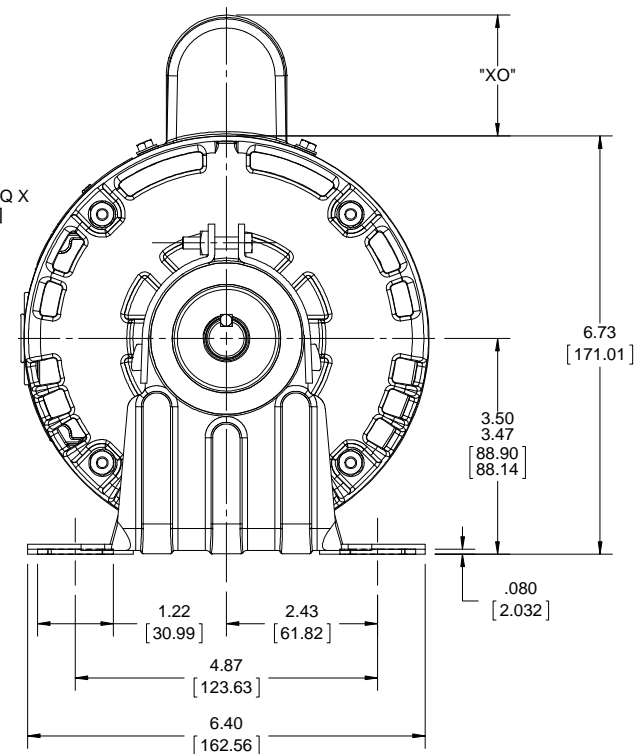
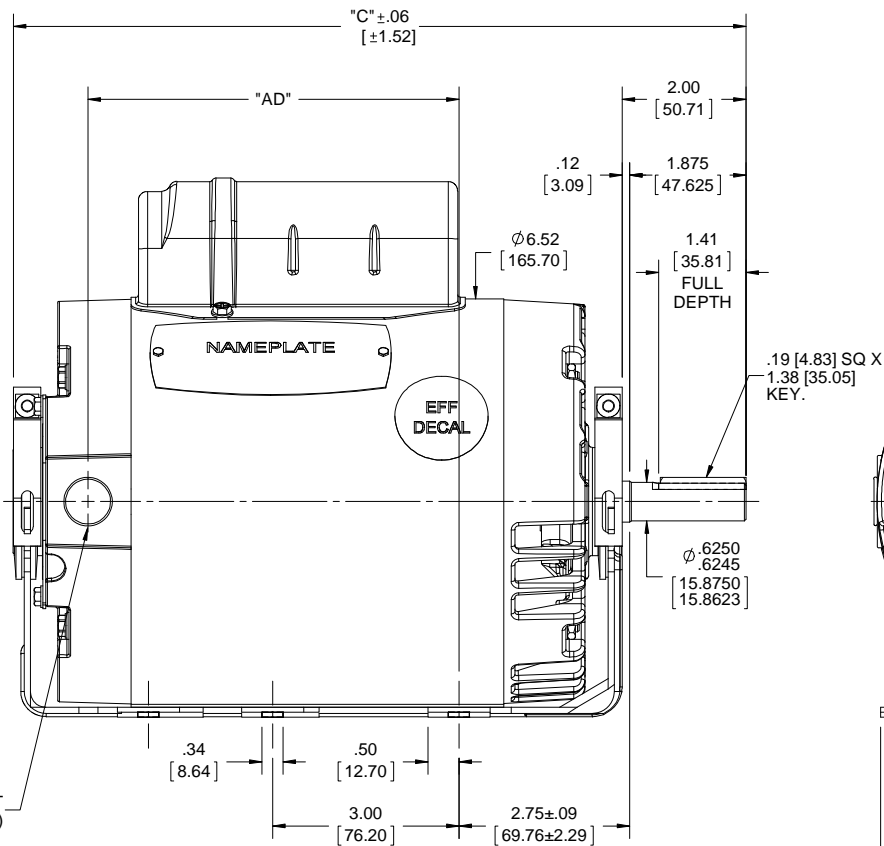
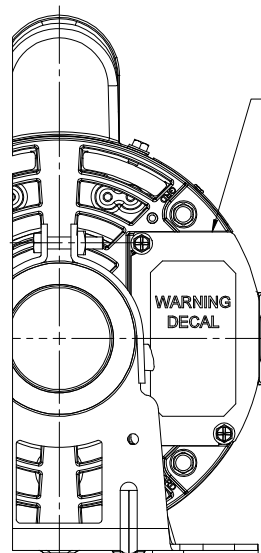
4

3

Uncontrolled Copy

2

1



DASH NO.	"C"	"AD"	CAP DASH.	
500	10.79 [274.07]	4.97 [126.24]		
550	11.29 [286.77]	5.47 [138.94]	A	1.48 [37.59]
600	11.79 [299.47]	5.97 [151.64]	B	1.95 [49.53]
650	12.29 [312.17]	6.47 [164.34]	C	2.18 [55.37]
700	12.79 [324.87]	6.97 [177.04]		

DRAWING REVISION	REVISION BY	DATE
D	A.SUPPANAVAR	01/25/2018
ECO-0143018	APPROVED BY PK	DATE 04/11/2018

ECO DESCRIPTION  
**OUTLINE CONVERSION PROJECT**

COPYRIGHT REGAL BELOIT AMERICA, INC. ALL RIGHTS RESERVED.  
PROPRIETARY AND CONFIDENTIAL INFORMATION - THIS DOCUMENT IS THE PROPERTY OF  
REGAL BELOIT AMERICA, INC. ("OWNER") AND CONTAINS OWNER'S PROPRIETARY  
INFORMATION. ANY PERSON, CORPORATION OR OTHER FIRM RECEIVING IT IS DEEMED,  
BY RECEIVING IT, TO AGREE THAT IT, AND/OR ANY PART OF IT, SHALL NOT BE DISCLOSED  
TO ANY PERSON, CORPORATION OR OTHER ENTITY, DUPLICATED, AND/OR USED, EXCEPT  
AS EXPRESSLY APPROVED IN WRITING IN ADVANCE BY OWNER. THIS DOCUMENT SHALL  
BE RETURNED TO OWNER UPON REQUEST. IT MAY BE SUBJECT TO CERTAIN  
RESTRICTIONS UNDER APPLICABLE EXPORT CONTROL LAWS AND REGULATIONS.

TOLERANCES UNLESS OTHERWISE SPECIFIED:			
DEC.	INCH	mm	ANGLE
.X	+0.1	[±2.5]	±0.5°
.XX	+0.03	[±0.76]	
.XXX	+0.005	[±0.127]	
.XXXX	+0.0005	[±0.0127]	
REMOVE BURRS & BREAK SHARP EDGES: .003/.015 [0.076/.381] X 45°			
CORNER FILLETS: R.02 [51]			
MACHINED SURFACES: 125/3.2			
mm SHOWN IN [BRACKETS]			

DRAWN BY	RDW
DATE	07/28/04
APPROVED BY	SW
DATE	07/28/04
REFERENCE	028631
THIRD ANGLE PROJECTION	

REGAL™ Regal Beloit America, Inc.	
DESCRIPTION	<b>OUTLINE</b> 56 FRAME DRIP PROOF-RESILIENT BASE
MATERIAL	PROCESS/FINISH
SIZE	DRAWING NUMBER
B	028631
SHEET	1 OF 1

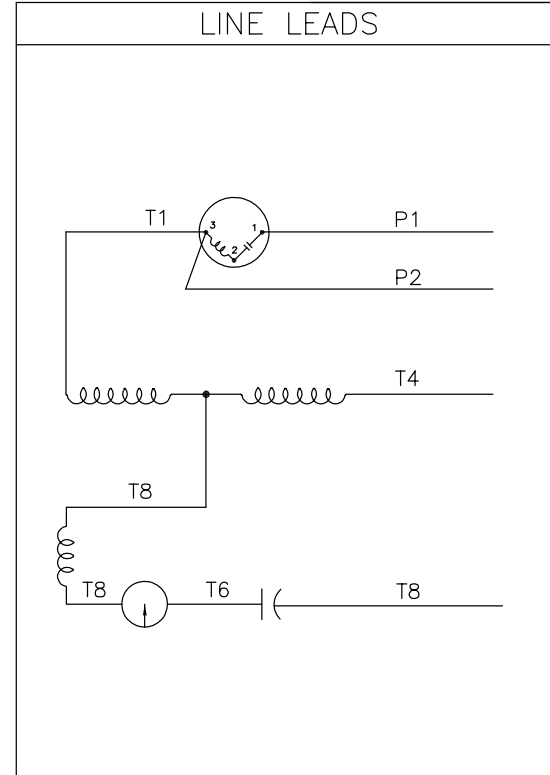
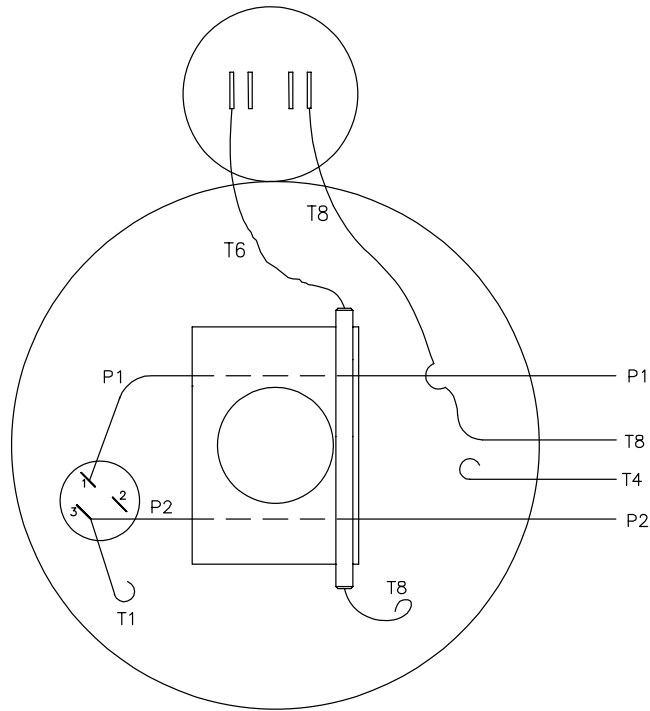
4

3

2

1

VIEW FROM OUTSIDE OF MOTOR AT SWITCH END.



ROTATION FACING L.E.	L1	L2	JOIN	INSULATE SEPARATELY
C.W.	P1	T4 T8	--	P2
C.C.W.	P1	T4	P2 T8	--

		TOLERANCES UNLESS SPECIFIED		<b>LEESON</b>	ELECTRIC MOTORS GEARMOTORS AND DRIVES	DRAWN WLW 7/12/79			
		DEC.	INCHES			CHK DLL 7/12/79			
		.X	±.1			APPD KS			
		.XX	±.01			SCALE 1=2			
03	REMOVED NOTE FOR ROTATION PER ECR-0051420	ARV 2/10/14	SK	.XXX	±.005	TITLE	EXTERNAL WIRING DIAGRAM TYPE "C" W/PROTECTOR	REF 005104	
02	REDRAWN ON CAD, REMOVED C. BOX MOUNTING OPTION	LST 10/29/04		.XXXX	±.0005	MAT'L.	DECAL 080025	FMF 116599	
NO.	REVISION	BY & DATE	CHK	ANG	±1/2'	FINISH		PREV	
THIS DRAWING IN DESIGN AND DETAIL IS OUR PROPERTY AND MUST NOT BE USED EXCEPT IN CONNECTION WITH OUR WORK ALL RIGHTS OF DESIGN AND INVENTION ARE RESERVED THIS IS AN ELECTRONICALLY GENERATED DOCUMENT - DO NOT SCALE THIS PRINT				RFP	CAD FILE	00516201	SIZE	DRAWING NO.	REV.
				DIST			A	005162 PG.1	03



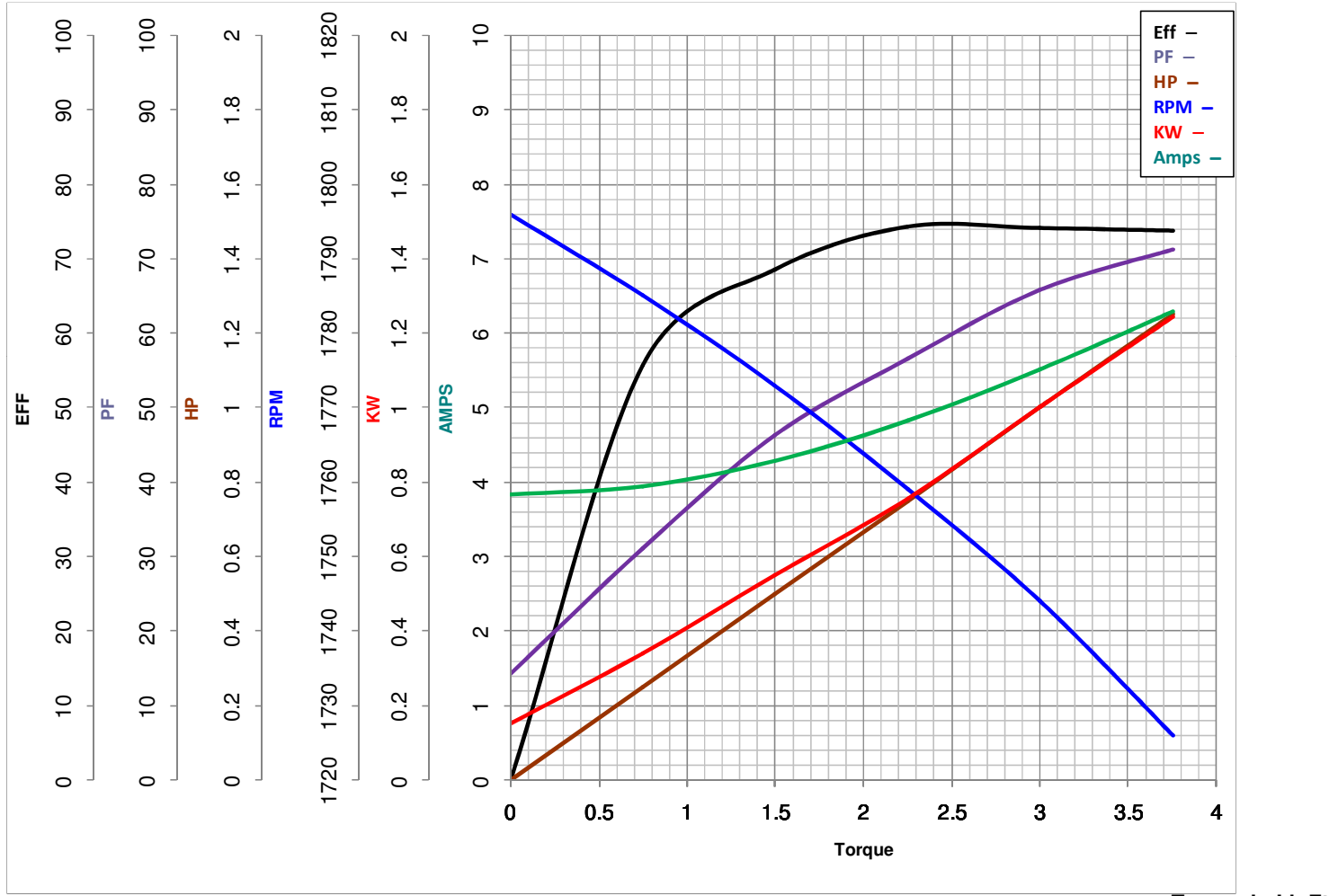
**LEESON ELECTRIC CORPORATION**  
 TYPICAL PERFORMANCE CURVE for AC MOTOR

Model No 116599.00

Curve at 277 Volts HP 1.00 PHASE 1  
60 HZ  
1 HP VOLTS 277

Catalog No 116599.00

HZ 60 RPM 1725



FL TORQUE	<u>3</u>	Lb.Ft	FL AMPS	<u>5.4</u>	
BD TORQUE	<u>6.9</u>	Lb.Ft	PU TORQUE	<u>5.9</u>	Lb.Ft
LR TORQUE	<u>8.67</u>	Lb.Ft	LR AMPS	<u>27.68</u>	
WINDING	C634256-5		Date	4/24/2018	