

PRODUCT INFORMATION PACKET



Model No: P6K34DB22C

Catalog No: 116523.00

..5SPLHP..3450RPM.56.DP.208-230V.1PH.60HZ.CONT.40C.1.0SF.RIGID.P6K34DB22C.....AIR
COMPRESSOR.MANUAL.....

Air Compressor



Regal and Leeson are trademarks of Regal Beloit Corporation or one of its affiliated companies.

©2018 Regal Beloit Corporation, All Rights Reserved. MC017097E





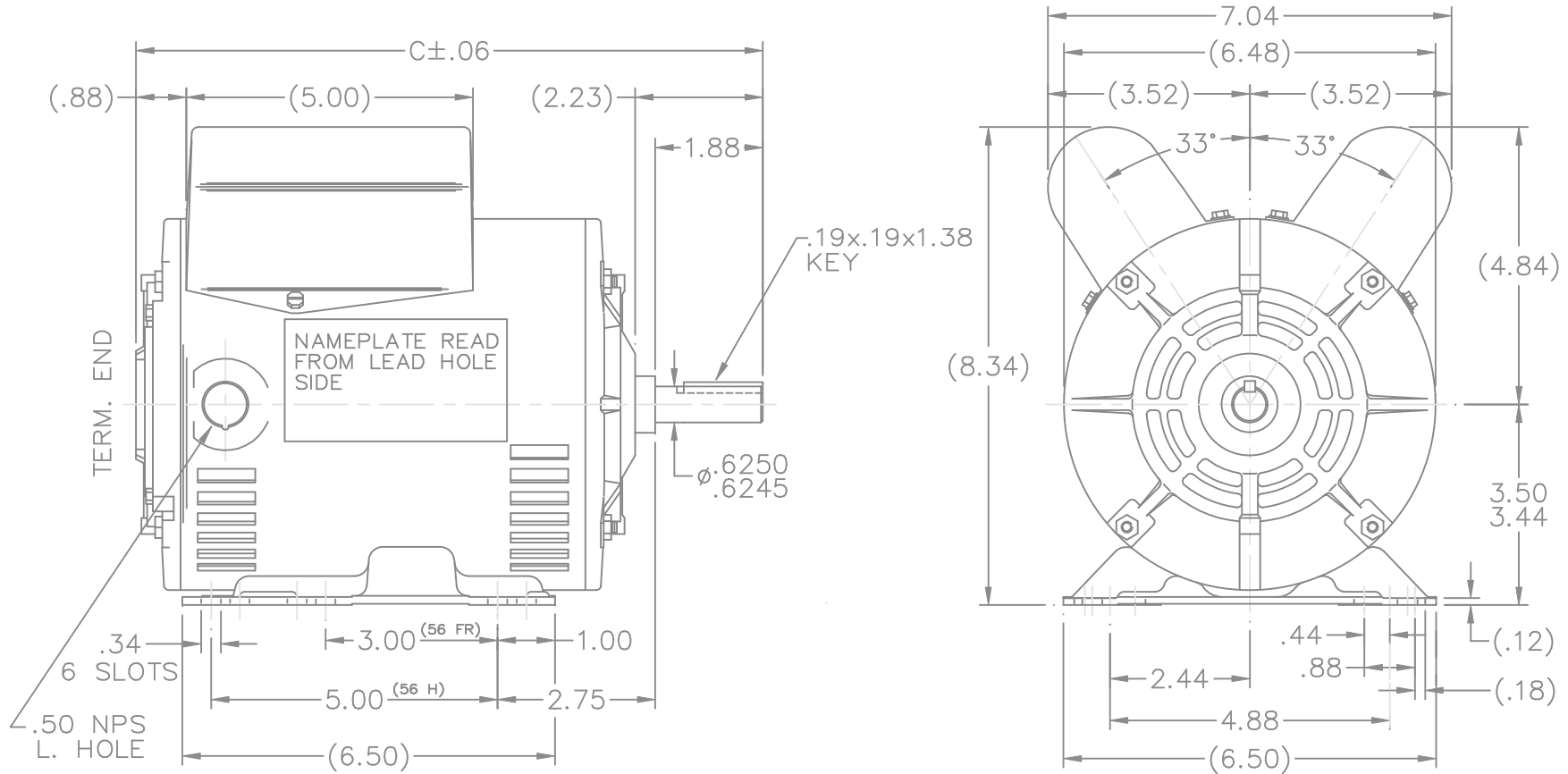
Nameplate Specifications

Output HP	5 Hp	Output KW	5.3 kW
Frequency	60 Hz	Voltage	208-230 V
Current	15.0-15.0 A	Speed	3450 rpm
Service Factor	1	Phase	1
Efficiency	70 %	Duty	Continuous
Insulation Class	F	Design Code	NO DESIGN CODE
KVA Code	C	Frame	56
Enclosure	Drip Proof	Overload Protector	Manual
Ambient Temperature	40 °C	Drive End Bearing Size	205
Opp Drive End Bearing Size	203	UL	Recognized
CSA	Y	CE	N
IP Code	22		

Technical Specifications

Electrical Type	Capacitor Start Capacitor Run	Starting Method	Across The Line
Poles	2	Rotation	Selective Counterclockwise
Mounting	Rigid base	Motor Orientation	HORIZONTAL
Drive End Bearing	BALL	Opp Drive End Bearing	BALL
Frame Material	Rolled Steel	Shaft Type	T
Overall Length	11.44 in	Frame Length	7.56 in
Shaft Diameter	0.625 in	Shaft Extension	1.88 in
Assembly/Box Mounting	F1 ONLY		
Outline Drawing	100146LE-756	Connection Diagram	102006-14LE

This is an uncontrolled document once printed or downloaded and is subject to change without notice. Date Created: 10/15/2018



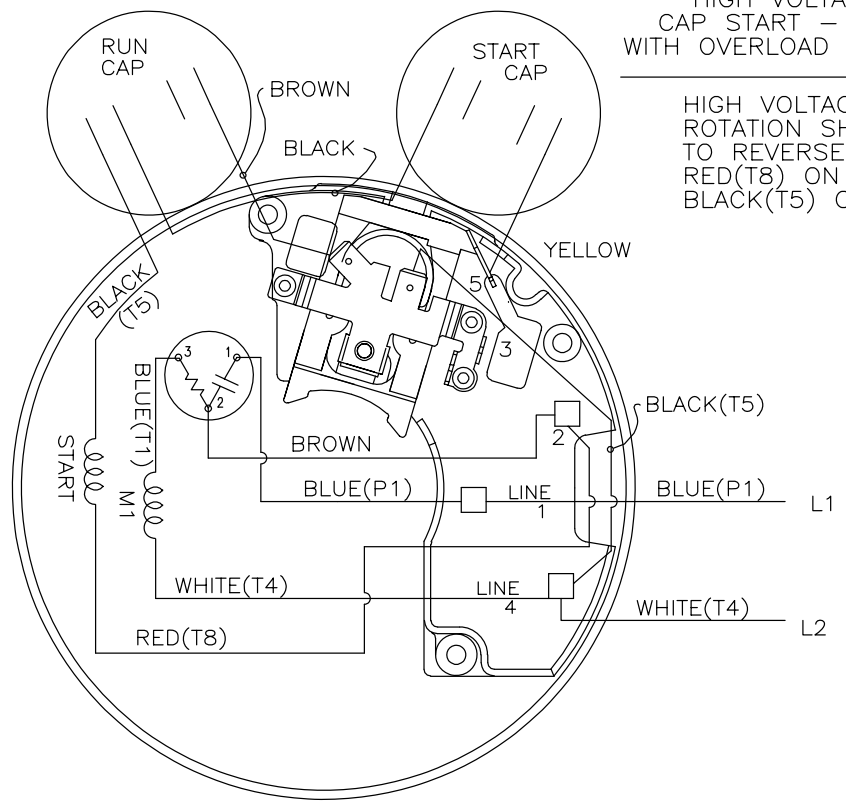
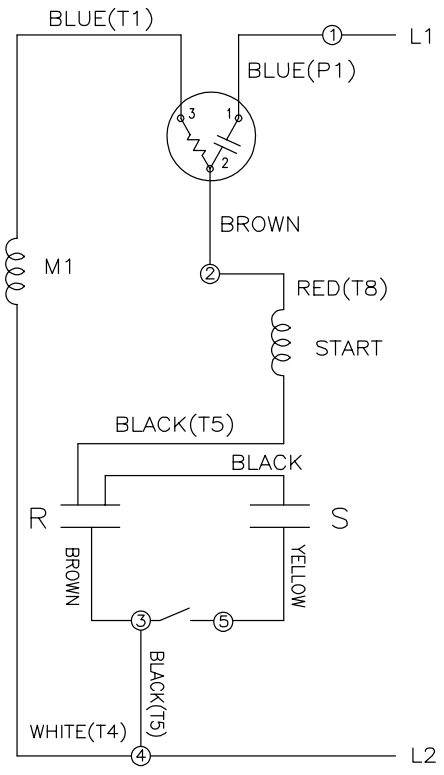
DASH	FR.	C	DASH	FR.	C
756	56-75	11.44	856	56-85	12.44
806	56-80	11.94	906	56-90	12.94

NO.		REVISION	BY & DATE	CHK	ANG	±7'30"	FINISH	PREV
				TOLERANCES UNLESS SPECIFIED		ELECTRIC MOTORS GEARMOTORS AND DRIVES		
				DEC.	INCHES		DRAWN RWR 04/02/2004	
				.X	±.1		CHK ML 04/02/2004	
				.XX	±.03		APPD JET 04/02/2004	
				.XXX	±.005		SCALE 3=9	
				.XXXX	±.0005		REF MU50225	
				ANG	±7'30"		FMF	
				RFP	CAD FILE 100146LE		SIZE A	
				DIST	WP-LE		DRAWING NO. 100146LE	
						PAGE 1 OF 1		REV.

9/27/2008 6:02:57 AM

102006-14LE


HIGH VOLTAGE - CCW



HIGH VOLTAGE
CAP START - CAP RUN
WITH OVERLOAD - SELECT ROT.

HIGH VOLTAGE CCW
ROTATION SHOWN
TO REVERSE INTERCHANGE
RED(T8) ON TERM. 2 WITH
BLACK(T5) ON TERM. 4

NOTE: USE P AND T TERMINALS WHEN CALLED IN BOM

		TOLERANCES UNLESS SPECIFIED			ELECTRIC MOTORS GEARMOTORS AND DRIVES		DRAWN RWR 04/02/2004	
		DEC.	INCHES		CHK ML 04/02/2004			
		.X	±.1		APPD JET 04/02/2004			
		.XX	±.03		SCALE 5=8			
		.XXX	±.005	TITLE CONNECTION DIAGRAM	REF MU50225			
B	ADDED P AND T TERMINALS	PST 2/20/2014	SKM .XXXX ±.0005	MAT'L.	FMF			
NO.	REVISION	BY & DATE	CHK ANG ±7'30"	FINISH	PREV			
THIS DRAWING IN DESIGN AND DETAIL IS OUR PROPERTY AND MUST NOT BE USED EXCEPT IN CONNECTION WITH OUR WORK ALL RIGHTS OF DESIGN AND INVENTION ARE RESERVED THIS IS AN ELECTRONICALLY GENERATED DOCUMENT - DO NOT SCALE THIS PRINT			RFP	CAD FILE 102006_14LE	SIZE A	DRAWING NO. 102006-14LE	PAGE 1 OF 1	REV.
			DIST WP-LE					