

# PRODUCT INFORMATION PACKET



Model No: M6C17FK80E

Catalog No: 115879.00

1HP..1725RPM.56.TEFC./V.1PH.60HZ.CONT.MANUAL.40C.1.15SF.RIGID C.GENERAL  
PURPOSE.M6C17FK80E

Totally Enclosed Fan Cooled (TEFC)



Regal and Leeson are trademarks of Regal Beloit Corporation or one of its affiliated companies.

©2018 Regal Beloit Corporation, All Rights Reserved. MC017097E





### Nameplate Specifications

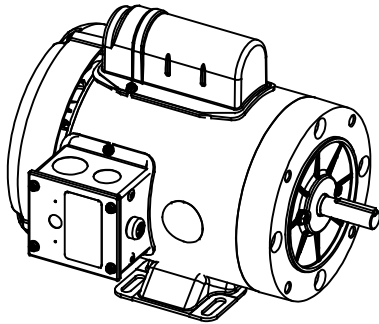
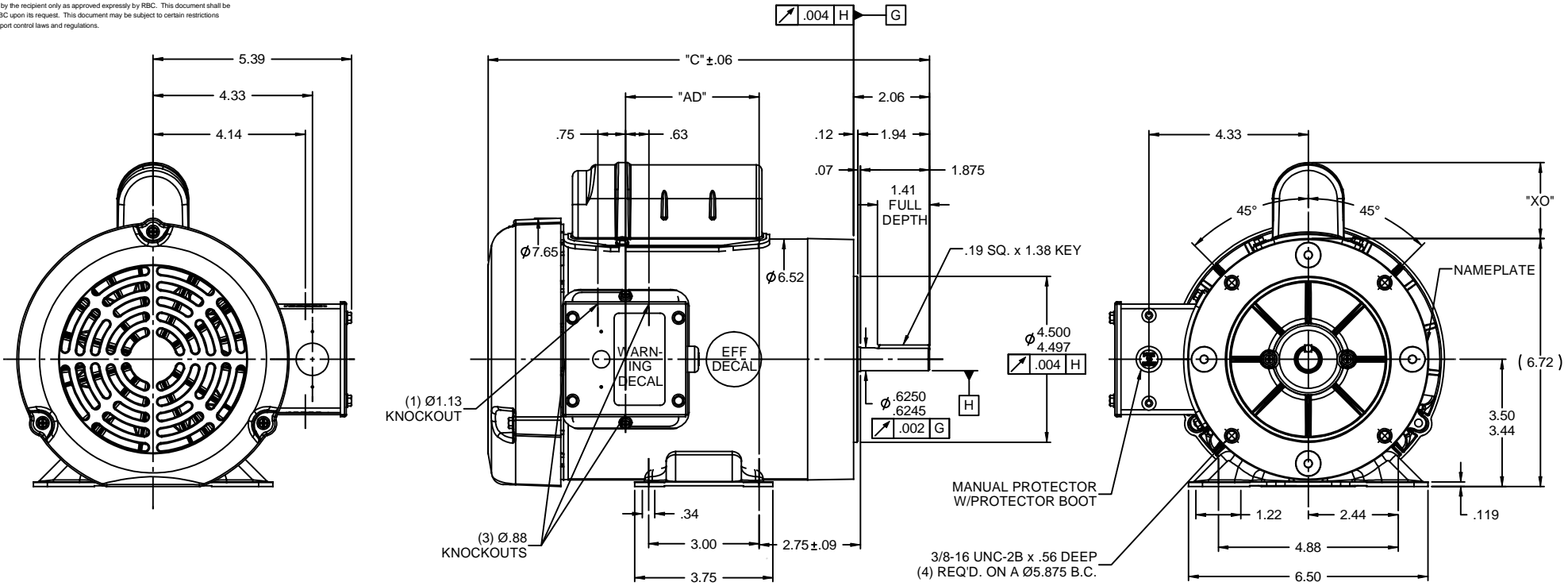
Output HP	1 Hp	Output KW	0.75 kW
Frequency	60 Hz	Voltage	115/208-230 V
Current	12.8/6.4 A	Speed	1725 rpm
Service Factor	1.15	Phase	1
Efficiency	75 %	Duty	Continuous
Insulation Class	B	Design Code	N
KVA Code	K	Frame	56C
Enclosure	Totally Enclosed Fan Cooled	Overload Protector	Manual
Ambient Temperature	40 °C	Drive End Bearing Size	6203
Opp Drive End Bearing Size	6203	UL	Recognized
CSA	Y	CE	N
IP Code	43		

### Technical Specifications

Electrical Type	Capacitor Start Induction Run	Starting Method	Across The Line
Poles	4	Rotation	Selective Counterclockwise
Mounting	Rigid base	Motor Orientation	HORIZONTAL
Drive End Bearing	BALL	Opp Drive End Bearing	BALL
Frame Material	Rolled Steel	Shaft Type	NEMA 56
Overall Length	11.98 in	Frame Length	6.50 in
Shaft Diameter	0.625 in	Shaft Extension	1.88 in
Assembly/Box Mounting	F1 ONLY		
Outline Drawing	028851-650B	Connection Diagram	005003.03

This is an uncontrolled document once printed or downloaded and is subject to change without notice. Date Created: 10/15/2018

RBC PROPRIETARY AND CONFIDENTIAL INFORMATION  
 This document is the property of REGAL BELOIT CORPORATION ("RBC") including its subsidiaries and divisions and contains proprietary information of RBC. This document is loaned on the express condition that neither it nor the information contained therein shall be disclosed to others without the express written consent of RBC, and that the information shall be used by the recipient only as approved expressly by RBC. This document shall be returned to RBC upon its request. This document may be subject to certain restrictions under U.S. export control laws and regulations.

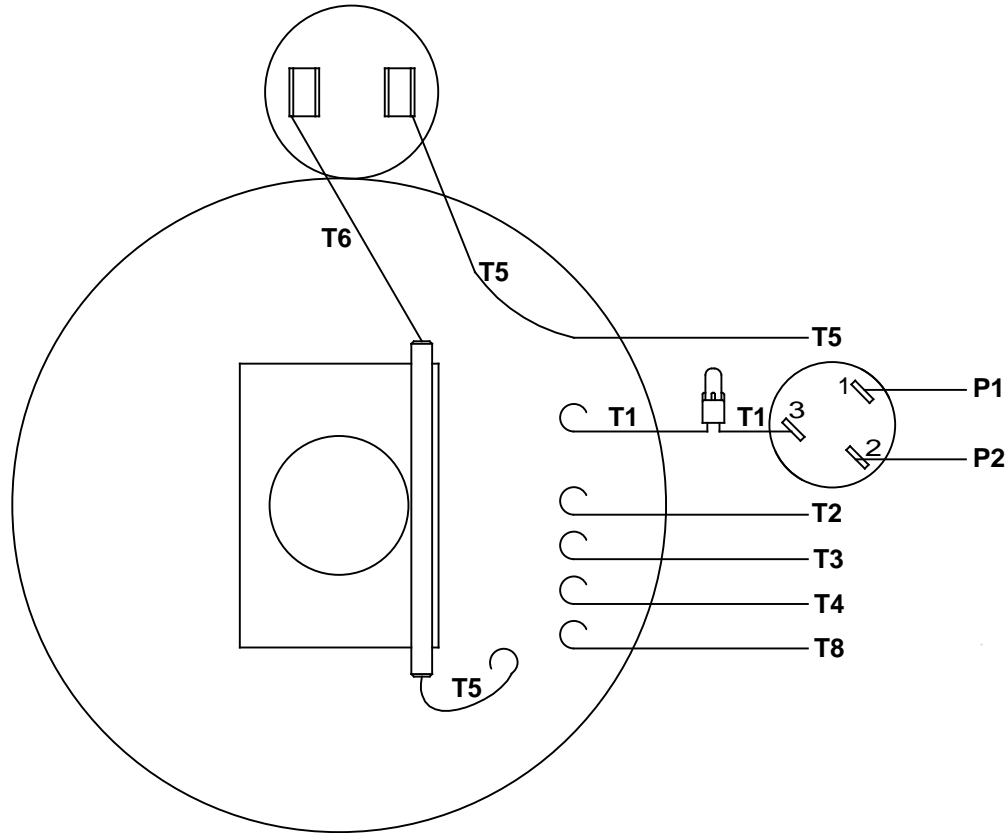


DASH NO.	"C"	"AD"	CAP DASH	"XO"
550	10.98	2.62	A	1.54
600	11.48	3.12	B	2.01
650	11.98	3.62	C	2.25
700	12.48	4.12		
750	12.98	4.62		
800	13.48	5.12		

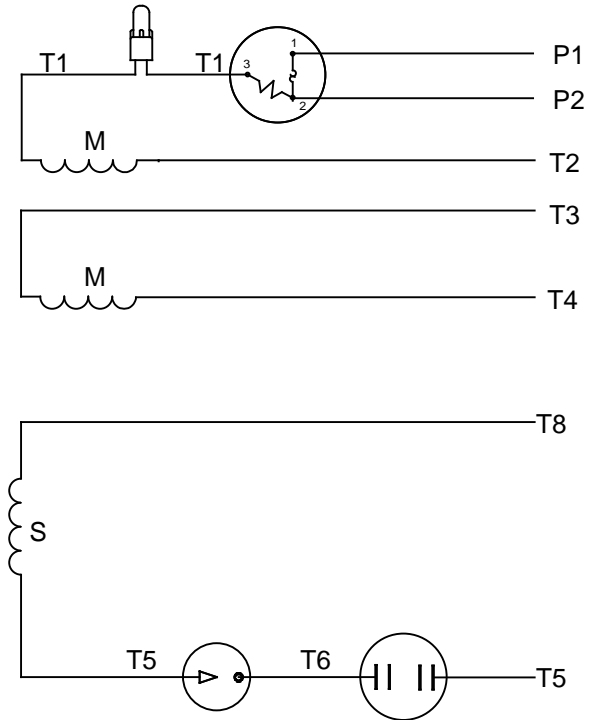
NOTES:  
 1) GASKETS THROUGHOUT

REVISION		BY & DATE	CHK	ANG	FINISH	SIZE	DRAWING NO	REV
02	ADDED ITEM #550(116485.00)	GRB 12/1/2008	DJ	XXX	±.005			
01	ADDED ITEM #600(116922.00)	GRB 11/21/2008	DJ	XXX	±.0005			
THIRD ANGLE PROJECTION								
TOLERANCES UNLESS SPECIFIED:								
DEC INCHES								
X ±.1								
XX ±.03								
RFP 07/15/2008								
NETWORK FILE NAME								
TITLE OUTLINE - 56C FRAME								
TEFC - "C" FACE								
MATL								
SCALE 3:8								
REF 028831								
FMF 110909.00								
PAGE 1 OF 1								
DRAWN GRB 07/15/2008								
CHK DJ 07/15/2008								
APPR								
ELECTRIC MOTORS GEARMOTORS AND DRIVES								
LEESON								
DRAWING NO 028851								
REV 02								

### VIEW FROM OUTSIDE OF MOTOR AT SWITCH END



### LINE LEADS



RBC PROPRIETARY AND CONFIDENTIAL INFORMATION  
 This document is the property of REGAL BELOIT CORPORATION ("RBC") including its subsidiaries and divisions and contains proprietary information of RBC. This document is loaned on the express condition that neither it nor the information contained therein shall be disclosed to others without the express written consent of RBC, and that the information shall be used by the recipient only as approved expressly by RBC. This document shall be returned to RBC upon its request. This document may be subject to certain restrictions under U.S. export control laws and regulations.

	ROTATION FACING LEAD END	L1	L2	JOIN	INSULATE SEPARATELY
HIGH VOLT	C.C.W.	P1	T4 T5	T2,T3 T8	P2
	C.W.	P1	T4 T8	T2,T3 T5	P2
LOW VOLT	C.C.W.	P1	T2,T4 T5	P2,T3 T8	---
	C.W.	P1	T2,T4 T8	P2,T3 T5	---

		TOLERANCES UNLESS SPECIFIED		LEESON	ELECTRIC MOTORS GEARMOTORS AND DRIVES	DRAWN WLV 08/20/79	
		DEC	INCHES			CHK	ADN 08/27/76
		.X	±.1			APPR	WRK 08/27/76
		.XX	±.01	TITLE EXTERNAL WIRING DIAGRAM TYPE "C" W/PROTECTOR		SCALE 1:1	
06	REDRAWN IN SOLIDWORKS	VJB	7/22/2011	.XXX	±.005	REF	
05	REDRAWN ON CAD	DBT	05/27/97	.XXXX	±.0005	FMF	
NO	REVISION	BY & DATE	CHK	ANG	±1/2°	FINISH	PAGE OF
THIRD ANGLE PROJECTION				RFP	PREV	SIZE	DRAWING NO
				NETWORK FILE NAME 00500303		A	005003-03
							REV
							06

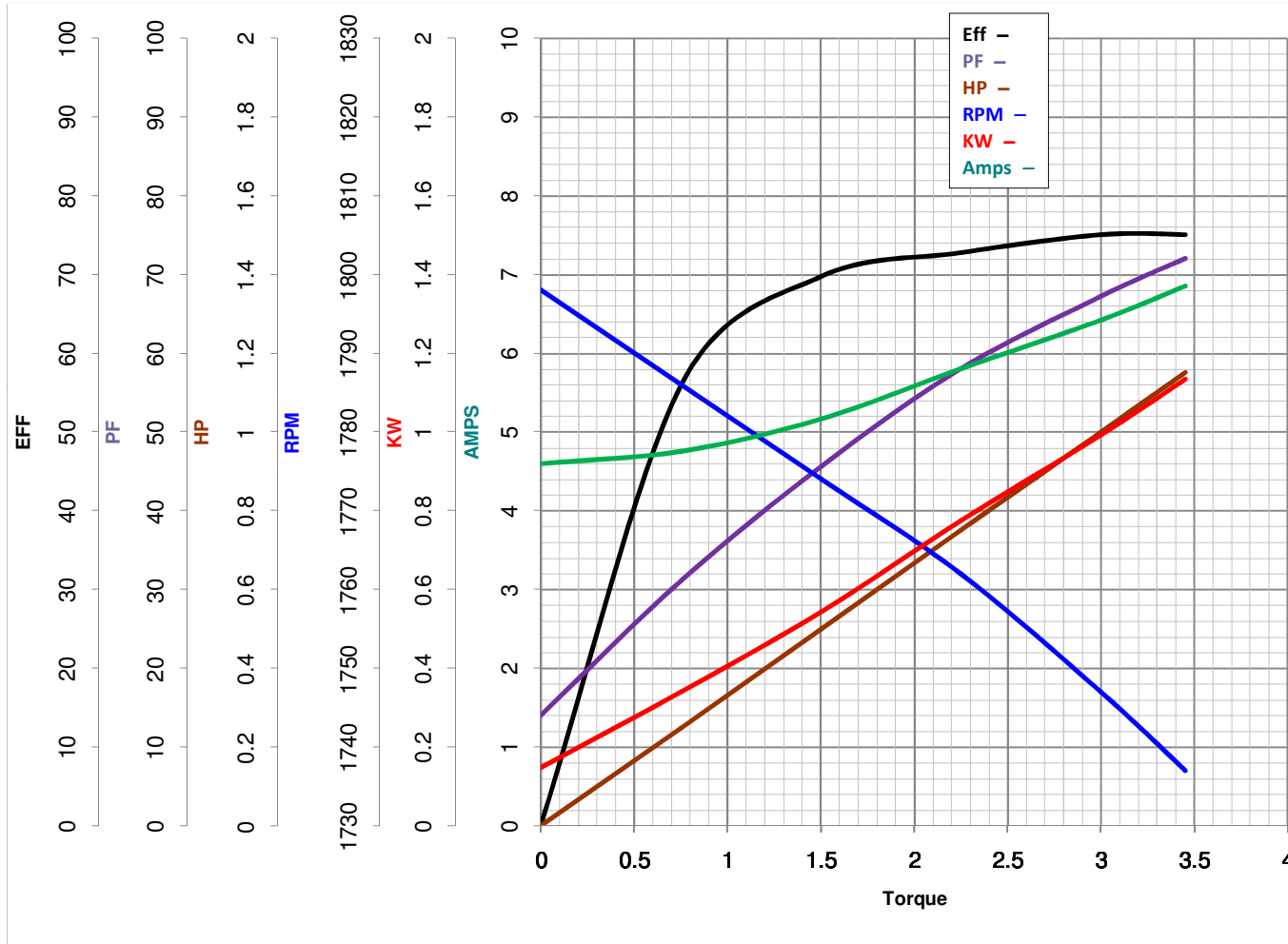


**LEESON ELECTRIC CORPORATION**  
TYPICAL PERFORMANCE CURVE for AC MOTOR

Model No 115879.00

Catalog No 115879.00

Curve at 230 Volts      HP 1.00      PHASE 1  
60 HZ  
1 HP      VOLTS 115/208-230  
HZ 60      RPM 1725



Torque in Lb.Ft

FL TORQUE 3 Lb.Ft  
 BD TORQUE 7.0 Lb.Ft  
 LR TORQUE 9 Lb.Ft

FL AMPS 12.8/6.4  
 PU TORQUE 6.7 Lb.Ft  
 LR AMPS 33

WINDING C634256-3

Date 3/27/2018