

PRODUCT INFORMATION PACKET



Model No: A6T11DB20A

Catalog No: 115778.00

1HP..1140RPM.56.DP.208-230/460V.3PH.60HZ.AIROVER.AUTOMATIC.40C.1.15SF.RIGID.FAN & BLOWER.A6T11DB20A

Condenser Fans



Regal and Leeson are trademarks of Regal Beloit Corporation or one of its affiliated companies.

©2018 Regal Beloit Corporation, All Rights Reserved. MC017097E





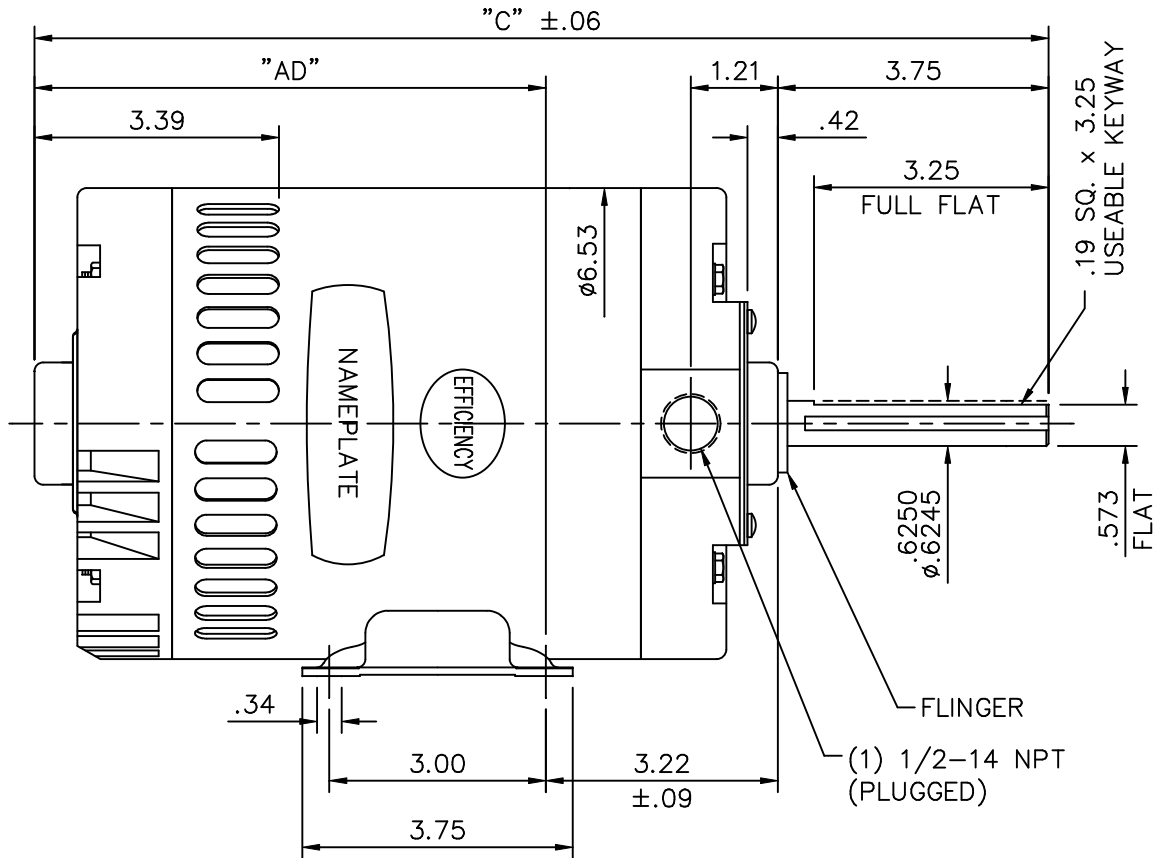
Nameplate Specifications

Output HP	1 Hp	Output KW	0.75 kW
Frequency	60 Hz	Voltage	208-230/460 V
Current	3.9-3.8/1.9 A	Speed	1140 rpm
Service Factor	1.15	Phase	3
Efficiency	77 %	Duty	Continuous
Insulation Class	B	Design Code	B
KVA Code	J	Frame	56Y
Enclosure	Drip Proof Air Over	Overload Protector	Automatic
Ambient Temperature	40 °C	Drive End Bearing Size	6203
Opp Drive End Bearing Size	6203	UL	Recognized
CSA	Y	CE	N
IP Code	22		

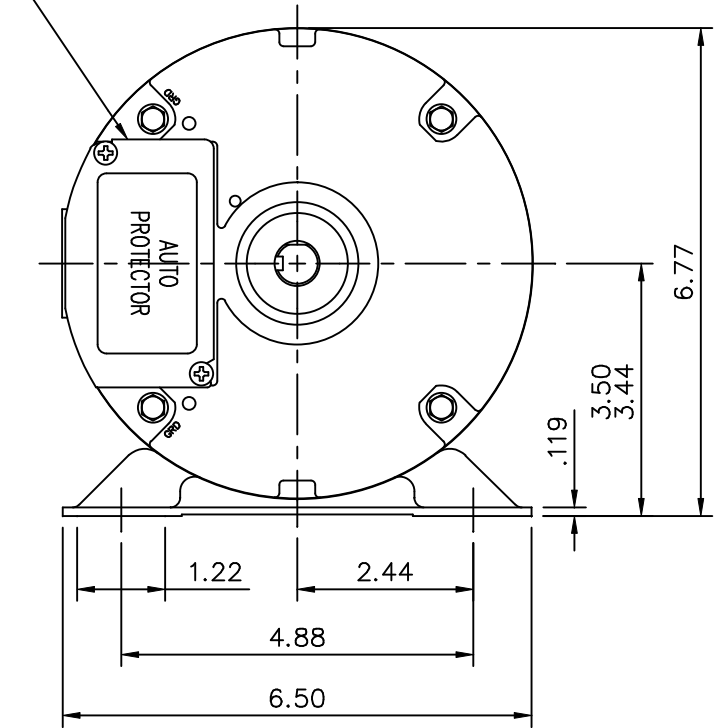
Technical Specifications

Electrical Type	Squirrel Cage Induction Run	Starting Method	Across The Line
Poles	6	Rotation	Reversible
Mounting	Rigid base	Motor Orientation	SHAFT UP
Drive End Bearing	BALL	Opp Drive End Bearing	BALL
Frame Material	Rolled Steel	Shaft Type	Single Special Extension
Overall Length	14.06 in	Frame Length	6.50 in
Shaft Diameter	0.625 in	Shaft Extension	3.75 in
Assembly/Box Mounting	W8		
Outline Drawing	028557-650	Connection Diagram	005020.01

This is an uncontrolled document once printed or downloaded and is subject to change without notice. Date Created: 10/15/2018



DECAL - CONNECTION UNDER COVER (WHEN REQ'D)



DASH NO.	"C"	"AD"
650	14.06	7.09
700	14.56	7.59

GASKETS THROUGHOUT

TOLERANCES UNLESS SPECIFIED

DEC. INCHES

.X ±.1

.XX ±.03

.XXX ±.005

.XXXX ±.0005

ANG ±1/2"



ELECTRIC MOTORS
GEARMOTORS
AND DRIVES

DRAWN BJB 06/23/03

CHK

APPD

SCALE 3=8

REF

FMF

PREV

TITLE

OUTLINE - 56 FRAME
OPEN DRIP PROOF - RIGID

MAT'L.

CONDENSER FAN

FINISH

NO.

REVISION

BY & DATE

CHK

ANG

CAD FILE

028557

SIZE

A

DRAWING NO.

028557

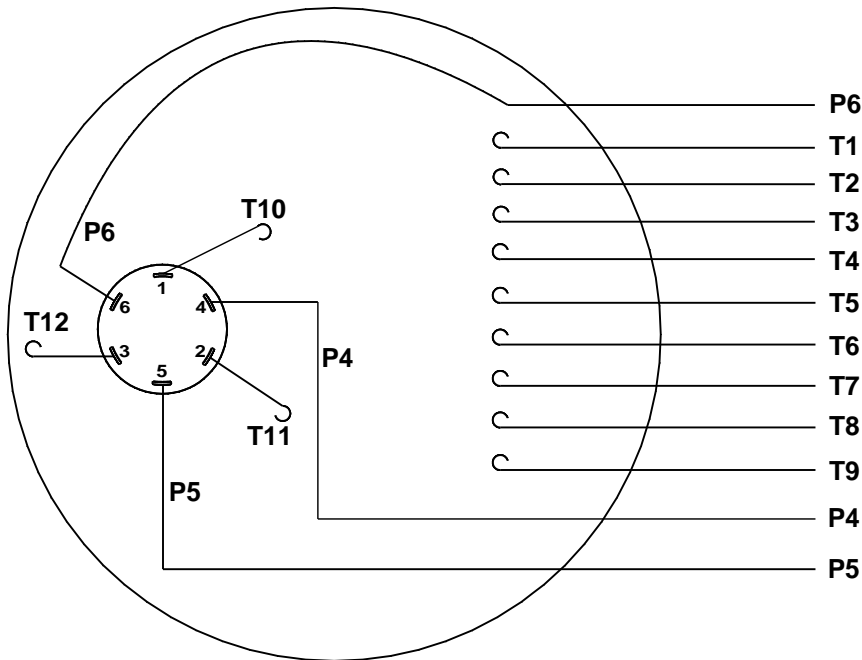
REV.

THIS DRAWING IN DESIGN AND DETAIL IS OUR PROPERTY AND MUST NOT BE USED EXCEPT IN CONNECTION WITH OUR WORK ALL RIGHTS OF DESIGN AND INVENTION ARE RESERVED THIS IS AN ELECTRONICALLY GENERATED DOCUMENT - DO NOT SCALE THIS PRINT

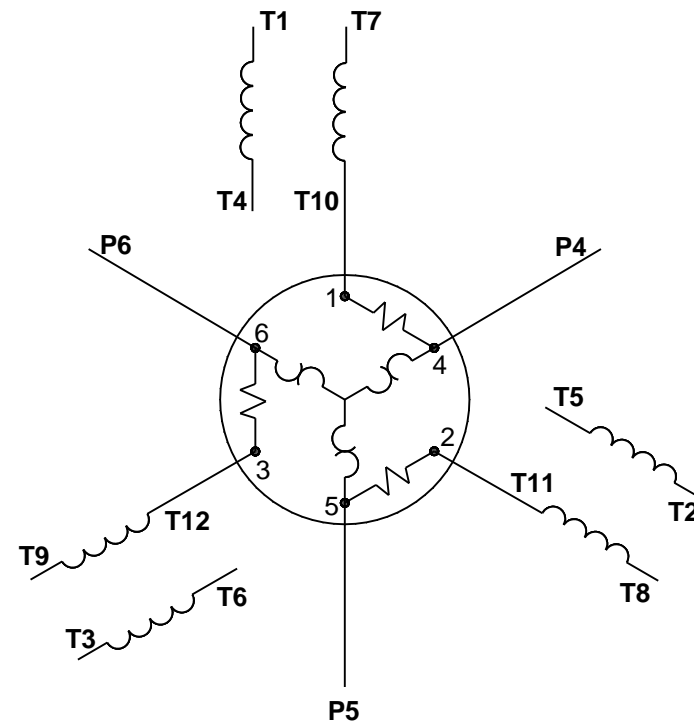
RFP

DIST BRF-NLV

VIEW FROM OUTSIDE OF MOTOR AT SWITCH END.



LINE LEADS



VOLTAGE	L1	L2	L3	JOIN	SEPARATE
HIGH	T1	T2	T3	(T4, T7) (T5, T8) (T6, T9)	(P4), (P5), (P6)
LOW	T1, T7	T2, T8	T3, T9	(T4, P4) (T5, P5) (T6, P6)	

DRAWING REVISION D	REVISION BY SM	DATE 9/26/2016
ECO ECO-0109970	APPROVED BY SM	DATE 9/26/2016
ECO DESCRIPTION UPDATED TO NEW TEMPLATE		
<small>COPYRIGHT REGAL BELOIT AMERICA, INC. ALL RIGHTS RESERVED. PROPRIETARY AND CONFIDENTIAL INFORMATION - THIS DOCUMENT IS THE PROPERTY OF REGAL BELOIT AMERICA, INC. ("OWNER") AND CONTAINS OWNER'S PROPRIETARY INFORMATION. ANY PERSON, CORPORATION OR OTHER FIRM RECEIVING IT IS DEEMED, BY RECEIVING IT, TO AGREE THAT IT, AND/OR ANY PART OF IT, SHALL NOT BE DISCLOSED TO ANY PERSON, CORPORATION OR OTHER ENTITY, DUPLICATED, AND/OR USED, EXCEPT AS EXPRESSLY APPROVED IN WRITING IN ADVANCE BY OWNER. THIS DOCUMENT SHALL BE RETURNED TO OWNER UPON REQUEST. IT MAY BE SUBJECT TO CERTAIN RESTRICTIONS UNDER APPLICABLE EXPORT CONTROL LAWS AND REGULATIONS.</small>		

TOLERANCES UNLESS OTHERWISE SPECIFIED:

DEC.	INCH	mm	ANGLE
.X	±0.1	[±2.5]	±0.5°
.XX	±0.01	[±0.25]	
.XXX	±0.005	[±0.127]	
.XXXX	±0.0005	[±0.0127]	

REMOVE BURRS & BREAK SHARP EDGES: .003/.015 [.076/.381] X 45°
 CORNER FILLETS: R.02 [.51]
 MACHINED SURFACES: 125/ INCH √ 3.2/ mm √
 mm SHOWN IN [BRACKETS]

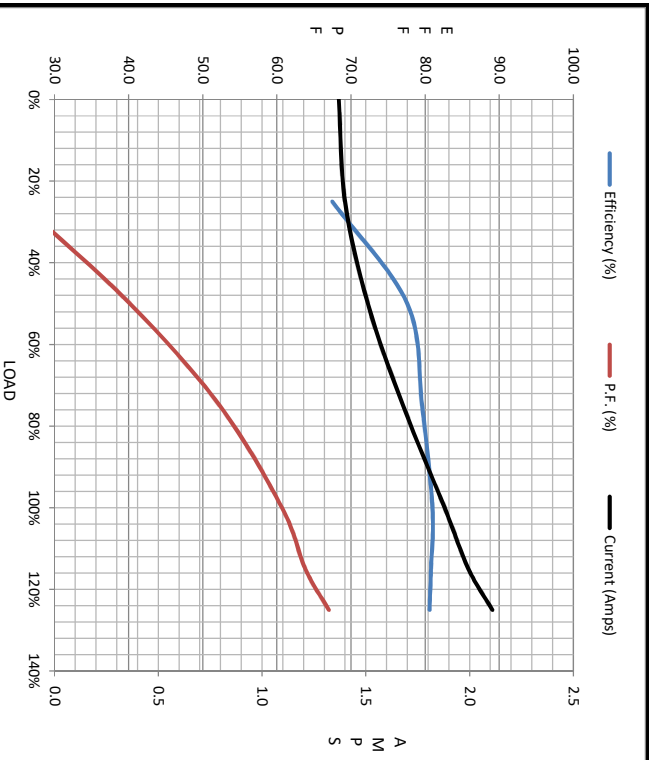
DRAWN BY ADH 02/25/74	DATE
APPROVED BY JCW 03/11/74	DATE
REFERENCE	
THIRD ANGLE PROJECTION	

		Regal Beloit America, Inc.	
DESCRIPTION CONN DIAGRAM-EXTERNAL TYPE "T" W/PROTECTOR			
MATERIAL DECAL - 004023		PROCESS/FINISH ECO LAB	
SIZE A	DRAWING NUMBER 00502001	SHEET 1 OF 1	



Motor Load Data									
Load	0%	25%	50%	75%	100%	115%	125%	LR	
Current (Amps)	1.37	1.40	1.51	1.88	1.88	2.00	2.11	10.1	
Torque (ft-lb)	0.00	1.10	2.30	3.4	4.5	5.1	5.6	14.1	
RPM	1200	1188	1176	1164	1152	1,146	1138	0	
Efficiency (%)		67.5	77.6	79.6	81.0	80.8	80.6		
P.F. (%)	9.4	25.2	40.2	52.3	60.7	63.9	67.0	0.0	

Motor Speed Data						Information Block																									
LR	Pull-Up	BD	Rated	Idle		HP	Sync. RPM	Frame	Enclosure	Construction	Voltage	Frequency	Design	LR Code letter	Service Factor	Temp Rise @ FL	Duty	Ambient	Elevation	Rotor/Shaft wk ²	Ref Wdg	Sound Pressure @ 1M	VFD Rating	Outline Dwg	Conn. Diag	Additional Specifications:	R1	R2	X1	X2	Xm
0	100	600	1152	1200		1.0	1200	1400	DP	NA	208-230/460	60	B	J	1.15	0	AIROVER	40	1,000	0.12	DR	0	NONE	028557-650	005020.01		0.0000	0.0000	0.0000	0.0000	0.0000



EQUIV CKT (OHMS / PHASE)			
R1	R2	X1	Xm
0.0000	0.0000	0.0000	0.0000

