

PRODUCT INFORMATION PACKET



Model No: P6C17FB113D

Catalog No: 114932.00

3/4HP..1725RPM.56.TEFC./V.1PH.60HZ.CONT.MANUAL.40C.1.15SF.RIGID.INSTANT
REVERSING.P6C17FB113D

Instant Reversing



Regal and Leeson are trademarks of Regal Beloit Corporation or one of its affiliated companies.

©2018 Regal Beloit Corporation, All Rights Reserved. MC017097E





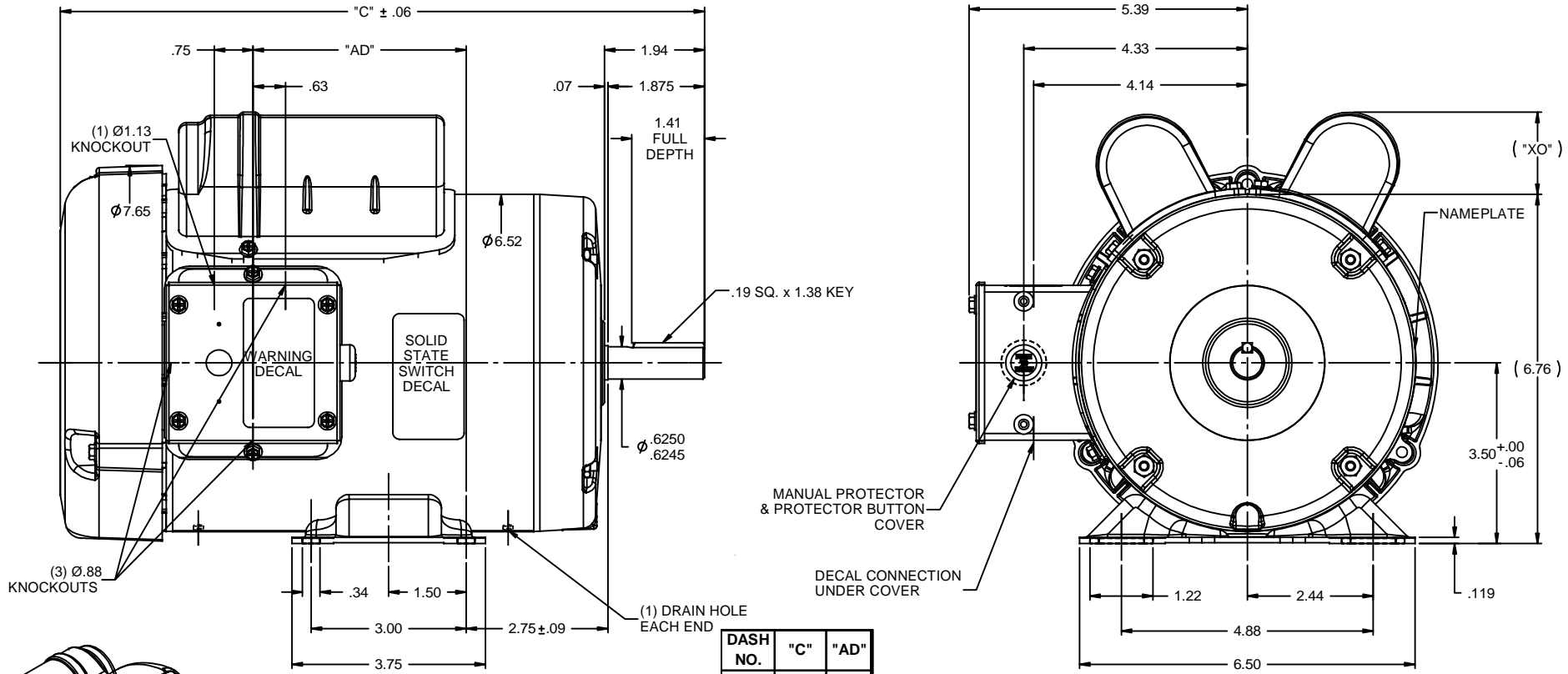
Nameplate Specifications

Output HP	0.75 Hp	Output KW	0.56 kW
Frequency	60 Hz	Voltage	115/208-230 V
Current	10.8/5.4 A	Speed	1725 rpm
Service Factor	1.15	Phase	1
Efficiency	70 %	Duty	Continuous
Insulation Class	B	Design Code	N
KVA Code	L	Frame	56
Enclosure	Totally Enclosed Fan Cooled	Overload Protector	Manual
Ambient Temperature	40 °C	Drive End Bearing Size	6203
Opp Drive End Bearing Size	6203	UL	Recognized
CSA	Y	CE	N
IP Code	43		

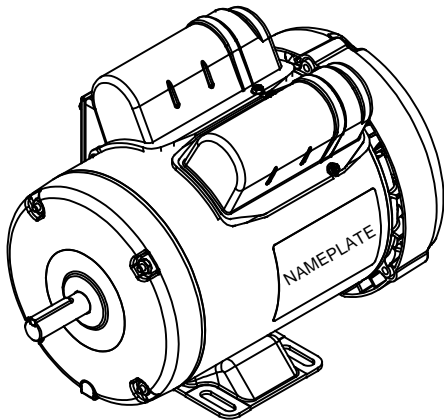
Technical Specifications

Electrical Type	Capacitor Start Induction Run	Starting Method	Across The Line
Poles	4	Rotation	Selective Counterclockwise
Mounting	Rigid base	Motor Orientation	HORIZONTAL
Drive End Bearing	BALL	Opp Drive End Bearing	BALL
Frame Material	Rolled Steel	Shaft Type	NEMA 56
Overall Length	11.24 in	Frame Length	5.75 in
Shaft Diameter	0.625 in	Shaft Extension	1.88 in
Assembly/Box Mounting	F1 ONLY		
Outline Drawing	028941-575	Connection Diagram	005291.04

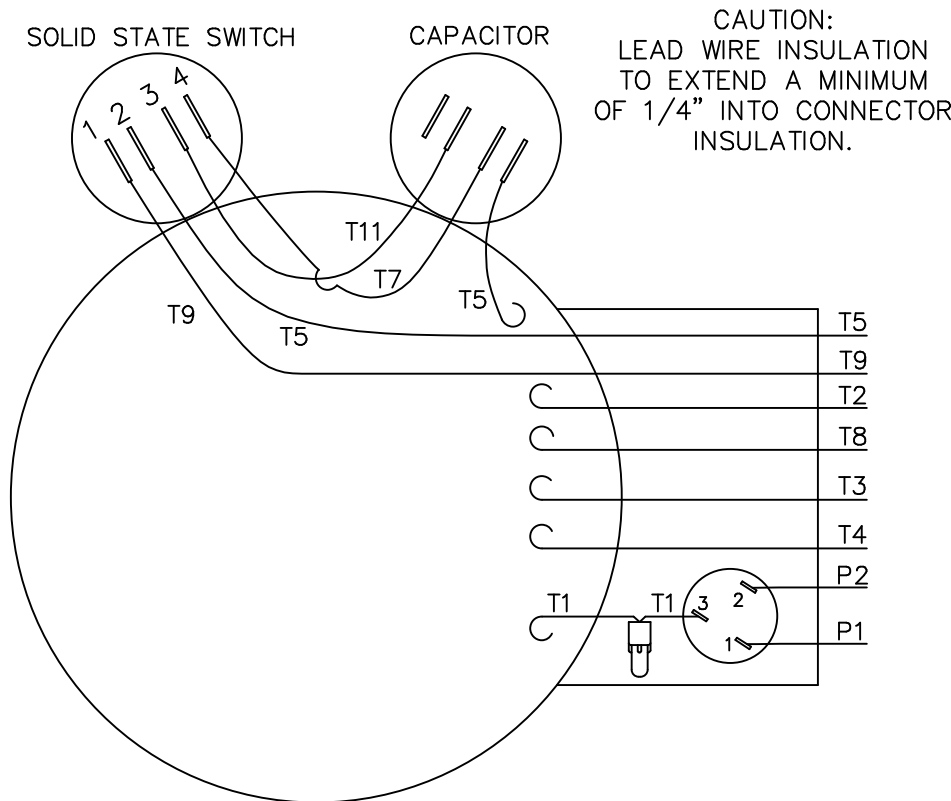
This is an uncontrolled document once printed or downloaded and is subject to change without notice. Date Created: 10/15/2018



- NOTES:
 1) MANUAL OVERLOAD PROTECTOR.
 2) GASKETS THROUGHOUT.
 3) DRAIN HOLE IN FRAME (BOTH ENDS).



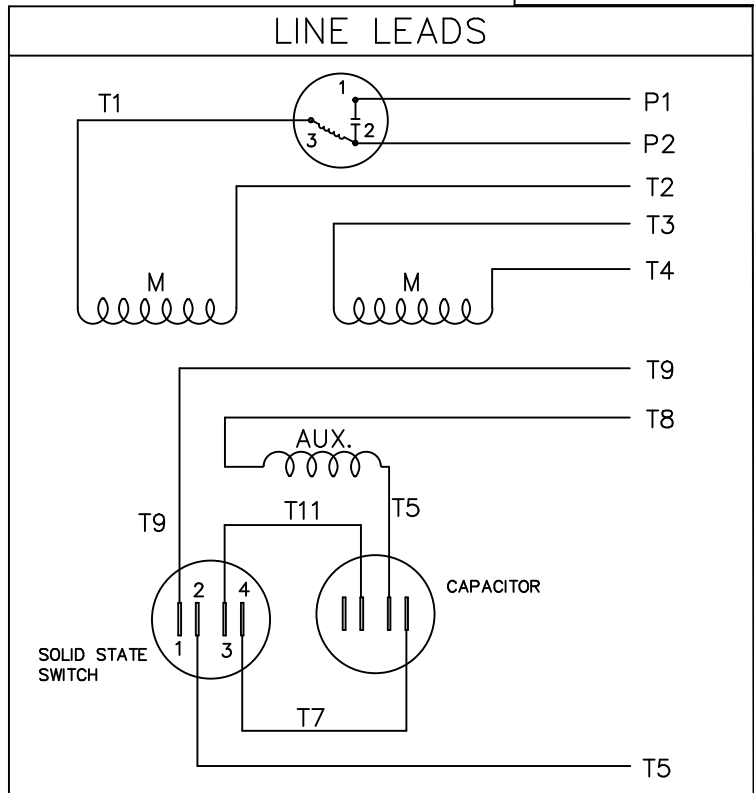
REVISION		BY & DATE	CHK ANG ±1/2"	FINISH	PAGE OF	
THIRD ANGLE PROJECTION			RFP	PREV	SIZE	DRAWING NO
			NETWORK FILE NAME	028941	B	028941
			TOLERANCES UNLESS SPECIFIED:			
			DEC	INCHES		
			X	±.1		
			XX	±.03	TITLE OUTLINE - 56 FRAME	
			XXX	±.005	TEFC RIGID - INSTANT REVERSING	
			XXXI	±.0005	MATL	
					SCALE	1:2
					REF	OL114932
					FMF	114932.00
					DRAWN DJ 01/07/09	
					CHK RVD 01/07/09	
					APPR	
					ELECTRIC MOTORS GEARMOTORS AND DRIVES	
					LEESON	



CAUTION:
LEAD WIRE INSULATION
TO EXTEND A MINIMUM
OF 1/4" INTO CONNECTOR
INSULATION.

VIEW FROM OUTSIDE OF MOTOR AT SWITCH END.

TYPE "C"
W/PROTECTOR
DECAL 080640



ROTATION FACING LEAD END		L1	L2	JOIN	INSULATE SEPARATELY
HIGH VOLT	C.C.W. ROT.	P1	T4 T5	T2, T3 T8, T9	P2
	C.W. ROT.	P1	T4 T8, T9	T2, T3 T5	P2
LOW VOLT	C.C.W. ROT.	P1	T2, T4 T5	P2, T3 T8, T9	---
	C.W. ROT.	P1	T2, T4 T8, T9	P2, T3 T5	---

				TOLERANCES UNLESS OTHERWISE SPECIFIED		LEESON ELECTRIC CORPORATION						
				DECIMALS								
				.00	± .01	DRAWN	PJM 09-05-96			TITLE	EXTERNAL WIRING DIAGRAM	
				.000	± .005	CH'K'D.				DUAL VOLTAGE - INSTANT REVERSING		
				.0000	± .0005	APPR.				MAT'L.	SOLID STATE SWITCH	
NO.	REVISION	BY	DATE	FRACTIONS	± 1/64	SCALE	1=2		FINISH	LEESON	SIZE	DRAWING NO.
THIS DRAWING IN DESIGN AND DETAIL IS OUR PROPERTY AND MUST NOT BE USED EXCEPT IN CONNECTION WITH OUR WORK ALL RIGHTS OF DESIGN AND INVENTION ARE RESERVED				ANGLES	± 1/2'	REF.	PG.03		STOCK	A	005291 PG.04	
				INCH/MM		FMF	114933					



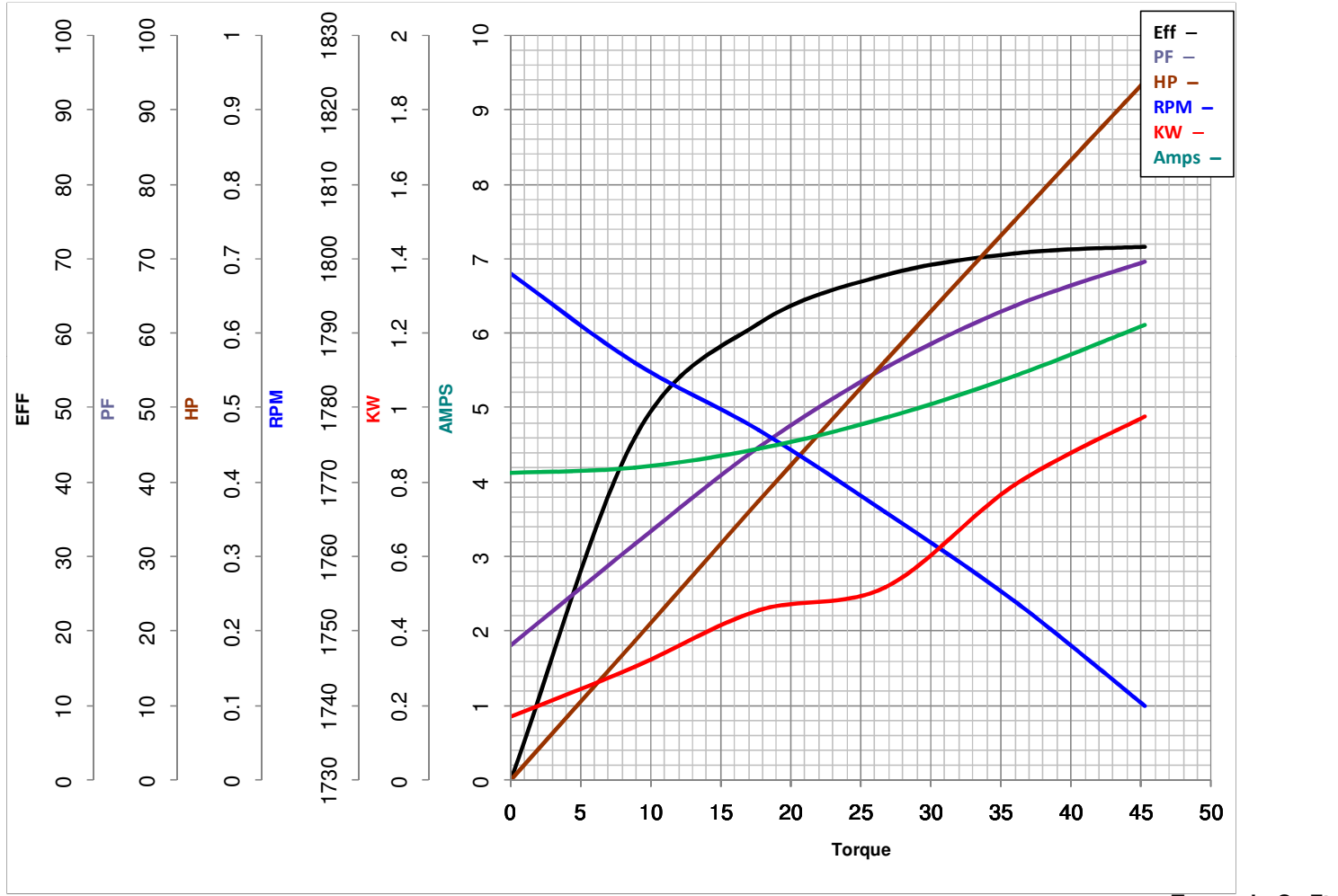
LEESON ELECTRIC CORPORATION
 TYPICAL PERFORMANCE CURVE for AC MOTOR

Model No 114932.00

Catalog No 114932.00

Curve at 230 Volts HP 0.75 PHASE 1
60 HZ
0.75 HP VOLTS 115/208-230

HZ 60 RPM 1725



FL TORQUE	<u>35.94</u> Oz.Ft	FL AMPS	<u>10.8/5.4</u>
BD TORQUE	<u>98.5</u> Oz.Ft	PU TORQUE	<u>84.2</u> Oz.Ft
LR TORQUE	<u>114.5</u> Oz.Ft	LR AMPS	<u>30.1</u>
WINDING	C634258-3	Date	4/24/2018