

# PRODUCT INFORMATION PACKET



Model No: C6T34FC49E

Catalog No: 114931.00

..1/2HP..3450RPM.56.TEFC.208-230/460V.3PH.60HZ.CONT.40C.1.15SF.ROUND.C6T34FC49E.....JET  
PUMP.NOT.....

Jet Pump



Regal and Leeson are trademarks of Regal Beloit Corporation or one of its affiliated companies.

©2018 Regal Beloit Corporation, All Rights Reserved. MC017097E





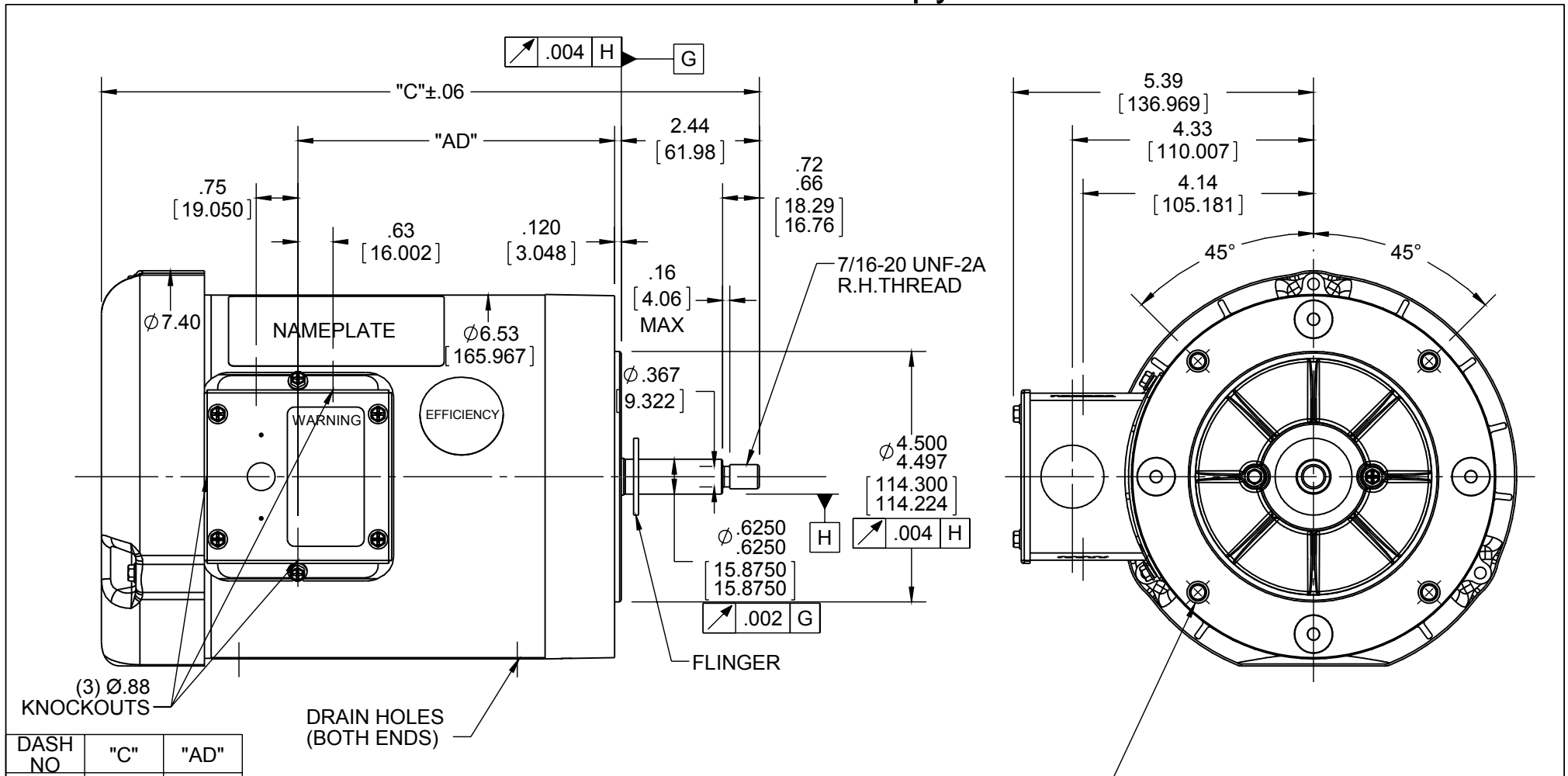
### Nameplate Specifications

Output HP	<b>0.50 Hp</b>	Output KW	<b>0.37 kW</b>
Frequency	<b>60 Hz</b>	Voltage	<b>208-230/460 V</b>
Current	<b>2.0/1.0 A</b>	Speed	<b>3450 rpm</b>
Service Factor	<b>1.15</b>	Phase	<b>3</b>
Efficiency	<b>72 %</b>	Duty	<b>Continuous</b>
Insulation Class	<b>B</b>	Design Code	<b>B</b>
KVA Code	<b>K</b>	Frame	<b>56J</b>
Enclosure	<b>Totally Enclosed Fan Cooled</b>	Overload Protector	<b>No</b>
Ambient Temperature	<b>40 °C</b>	Drive End Bearing Size	<b>6203</b>
Opp Drive End Bearing Size	<b>6203</b>	UL	<b>Recognized</b>
CSA	<b>Y</b>	CE	<b>N</b>
IP Code	<b>43</b>		

### Technical Specifications

Electrical Type	<b>Squirrel Cage Induction Run</b>	Starting Method	<b>Across The Line</b>
Poles	<b>2</b>	Rotation	<b>Reversible</b>
Mounting	<b>Round</b>	Motor Orientation	<b>HORIZONTAL</b>
Drive End Bearing	<b>BALL</b>	Opp Drive End Bearing	<b>BALL</b>
Frame Material	<b>Rolled Steel</b>	Shaft Type	<b>NEMA 56</b>
Overall Length	<b>10.28 in</b>	Frame Length	<b>4.50 in</b>
Shaft Diameter	<b>0.625 in</b>	Shaft Extension	<b>2.44 in</b>
Assembly/Box Mounting	<b>F1 ONLY</b>		
Outline Drawing	<b>028841-450</b>	Connection Diagram	<b>005010.01</b>

**This is an uncontrolled document once printed or downloaded and is subject to change without notice. Date Created: 10/15/2018**



DASH NO	"C"	"AD"
750	13.28	7.19
700	12.78	6.69
650	12.28	6.19
600	11.78	5.69
550	11.28	5.19
500	10.78	4.69
450	10.28	4.19

DRAIN HOLES (BOTH ENDS)

- NOTES:**  
 1) GASKETS THROUGHOUT  
 2) FLINGER ON SHAFT  
 3) STAINLESS STEEL SHAFT EXTENSION

(4) 3/8-16 UNC-2B x .56 DP. ON A Ø5.875 B.C.

DRAWING REVISION <b>D</b>	REVISION BY <b>CHRIS FISHER</b>	DATE <b>8/18/2015</b>	TOLERANCES UNLESS OTHERWISE SPECIFIED: DEC. INCH mm ANGLE .X ±0.1 [±2.5] ±0.5° .XX ±0.01 [±0.25] .XXX ±0.005 [±0.127] .XXXX ±0.0005 [±0.0127]	DRAWN BY <b>GRB</b>	<b>Regal Beloit America, Inc.</b>
ECO <b>ECO-0079536</b>	APPROVED BY	DATE	DATE <b>7/02/2008</b>	APPROVED BY	
ECO DESCRIPTION <b>ADDED ITEM #750</b>			REMOVE BURRS & BREAK SHARP EDGES: .003/.015 [.076/.381] X 45° CORNER FILLETS: R.02 [.51] MACHINED SURFACES: 125/3.2 INCH/mm	DATE	DESCRIPTION <b>OUTLINE</b> T.E.F.C. - "C" FACE
COPYRIGHT REGAL BELOIT AMERICA, INC. ALL RIGHTS RESERVED. PROPRIETARY AND CONFIDENTIAL INFORMATION - THIS DOCUMENT IS THE PROPERTY OF REGAL BELOIT AMERICA, INC. ("OWNER") AND CONTAINS OWNER'S PROPRIETARY INFORMATION. ANY PERSON, CORPORATION OR OTHER FIRM RECEIVING IT IS DEEMED, BY RECEIVING IT, TO AGREE THAT IT, AND/OR ANY PART OF IT, SHALL NOT BE DISCLOSED TO ANY PERSON, CORPORATION OR OTHER ENTITY, DUPLICATED, AND/OR USED, EXCEPT AS EXPRESSLY APPROVED IN WRITING IN ADVANCE BY OWNER. THIS DOCUMENT SHALL BE RETURNED TO OWNER UPON REQUEST. IT MAY BE SUBJECT TO CERTAIN RESTRICTIONS UNDER APPLICABLE EXPORT CONTROL LAWS AND REGULATIONS.			REFERENCE	MATERIAL <b>JET PUMP</b>	PROCESS/FINISH
			THIRD ANGLE PROJECTION	SIZE <b>A</b>	DRAWING NUMBER <b>028841</b>

005010-01

VIEW FROM OUTSIDE OF MOTOR AT SWITCH END.



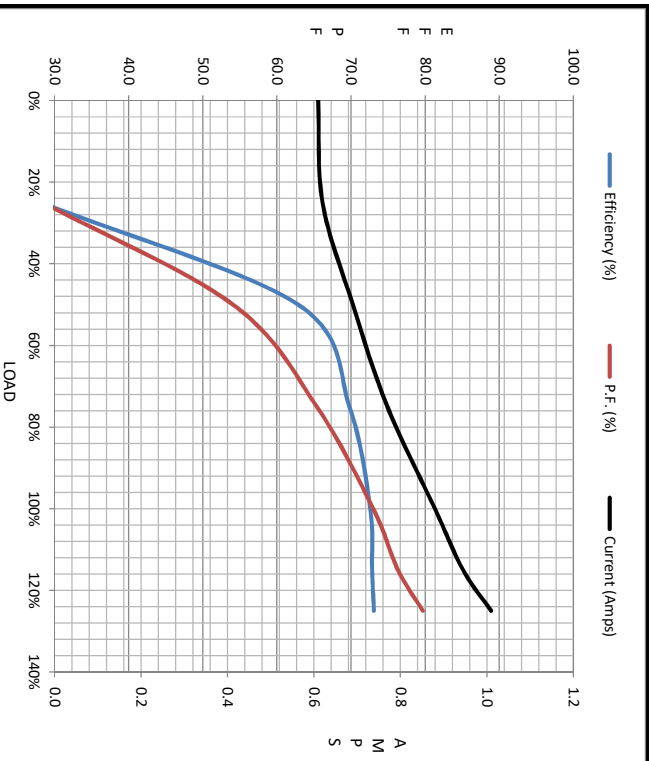
VOLTAGE	L1	L2	L3	JOIN & INSULATE
HIGH	T1	T2	T3	(T4,T7) (T5,T8) (T6,T9)
LOW	T1,T7	T2,T8	T3,T9	T4,T5,T6

				TOLERANCES UNLESS SPECIFIED		<b>Regal Beloit America, Inc.</b>		DRAWN RDW 04/12/02			
				DEC.	INCHES			CHK			
				.X	±.1			APPD			
				.XX	±.01			SCALE 1=1			
				.XXX	±.005	TITLE		REF FIG.2-51			
A	UPDATED TO REGAL LOGO		SAJ 06/26/15	AJY	.XXXX ±.0005	MAT'L.		FMF			
NO.	REVISION		BY & DATE	CHK	ANG ±1/2"	FINISH		PREV			
THIS DRAWING IN DESIGN AND DETAIL IS OUR PROPERTY AND MUST NOT BE USED EXCEPT IN CONNECTION WITH OUR WORK ALL RIGHTS OF DESIGN AND INVENTION ARE RESERVED THIS IS AN ELECTRONICALLY GENERATED DOCUMENT - DO NOT SCALE THIS PRINT				RFP	04/12/02	CAD FILE		00501001	SIZE	DRAWING NO.	REV.
						DIST	BRF-NLV			A	005010-01



Motor Load Data									
Load	0%	25%	50%	75%	100%	115%	125%	LR	
Current (Amps)	0.61	0.62	0.69	0.77	0.88	0.95	1.01	5.4	
Torque (ft-lb)	0.00	20.1	95.8	145	195	3,543	247	561	
HPM	3600	3577	3533	3502	3467	3,451	3,428	0	
Efficiency (%)		28.2	62.9	69.8	72.6	72.9	73.1	73.0	
P.F. (%)	27.6	28.5	54.1	65.4	73.0	76.4	79.7	0.0	

Motor Speed Data						Information Block																										
LR	Pull-Up	BD	Rated	Idle		HP	Sync. RPM	Frame	Enclosure	Construction	Voltage	Frequency	Design	LR Code letter	Service Factor	Temp Rise @ FL	Duty	Ambient	Elevation	Rotor/Shaft wk <sup>2</sup>	Ref Wdg	Sound Pressure @ 1M	VFD Rating	Outline Dwg	Conn. Diag	Additional Specifications:	R1	R2	X1	X2	Xm	
0	200	2600	3467	3600		0.5	3600	140	TEFC	NA	208-230/460#190/380	60	B	K	1.15	50	CONT	40	1,000	0.02	T632187 FR	0	dB(A)	NONE	028941-450	005010.01		0.0000	0.0000	0.0000	0.0000	0.0000



EQUIV CKT (OHMS / PHASE)			
R1	R2	X1	Xm
0.0000	0.0000	0.0000	0.0000

