

PRODUCT INFORMATION PACKET



Model No: C6T14FB8B

Catalog No: 114888.00

1HP..75kW.1425RPM.56.IP54.220/380V.3PH.50HZ.CONT.NOT.40C.1.15SF.RIGID.50 HERTZ.C6T14FB8B
50 Hz



Regal and Leeson are trademarks of Regal Beloit Corporation or one of its affiliated companies.

©2018 Regal Beloit Corporation, All Rights Reserved. MC017097E





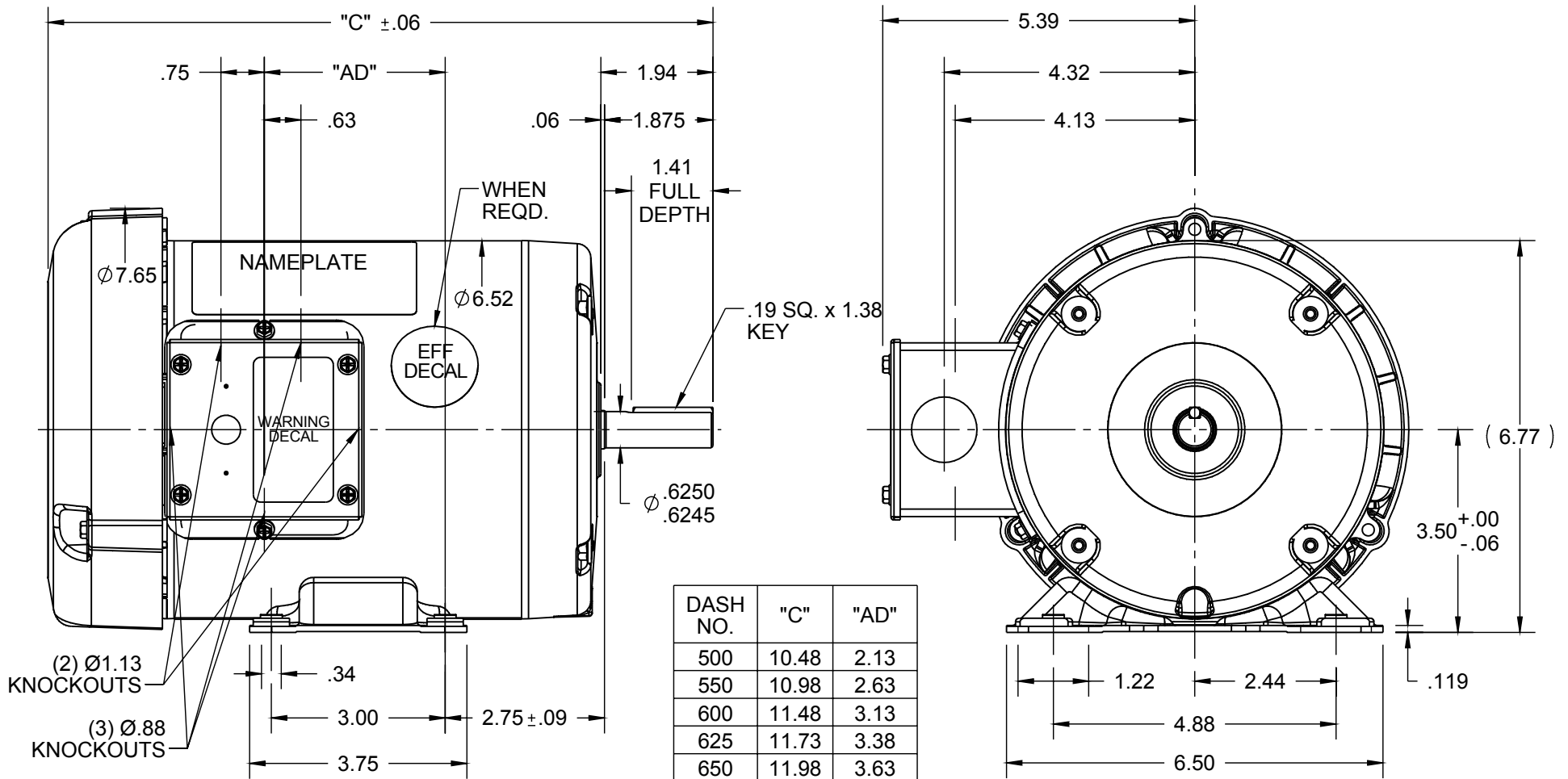
Nameplate Specifications

Output HP	1 Hp	Output KW	0.75 kW
Frequency	50 Hz	Voltage	220/380/440 V
Current	3.5/2.0/1.8 A	Speed	1425 rpm
Service Factor	1.15	Phase	3
Efficiency	77 %	Duty	Continuous
Insulation Class	B	Design Code	NO DESIGN CODE
KVA Code	J	Frame	56
Enclosure	Totally Enclosed Fan Cooled	Overload Protector	No
Ambient Temperature	40 °C	Drive End Bearing Size	6203
Opp Drive End Bearing Size	6203	UL	Recognized
CSA	Y	CE	Y
IP Code	54		

Technical Specifications

Electrical Type	Squirrel Cage Induction Run	Starting Method	Across The Line
Poles	4	Rotation	Reversible
Mounting	Rigid base	Motor Orientation	HORIZONTAL
Drive End Bearing	BALL	Opp Drive End Bearing	BALL
Frame Material	Rolled Steel	Shaft Type	NEMA 56
Overall Length	10.98 in	Frame Length	5.50 in
Shaft Diameter	0.625 in	Shaft Extension	1.88 in
Assembly/Box Mounting	F1 ONLY		
Outline Drawing	028781-550	Connection Diagram	005381.01

This is an uncontrolled document once printed or downloaded and is subject to change without notice. Date Created: 10/15/2018



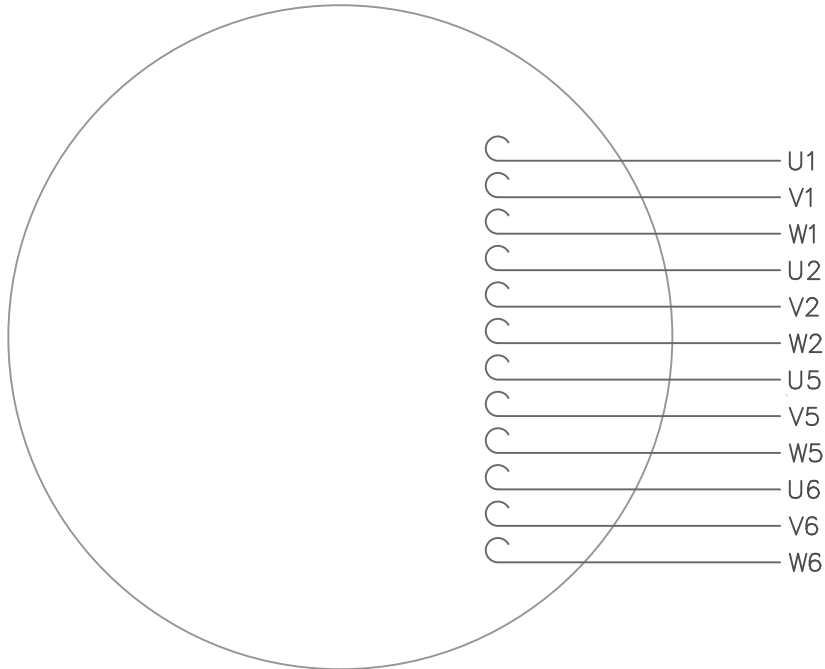
DASH NO.	"C"	"AD"
500	10.48	2.13
550	10.98	2.63
600	11.48	3.13
625	11.73	3.38
650	11.98	3.63
675	12.23	3.88
700	12.48	4.13
750	12.98	4.63

NOTES:
1) GASKETS THROUGHOUT

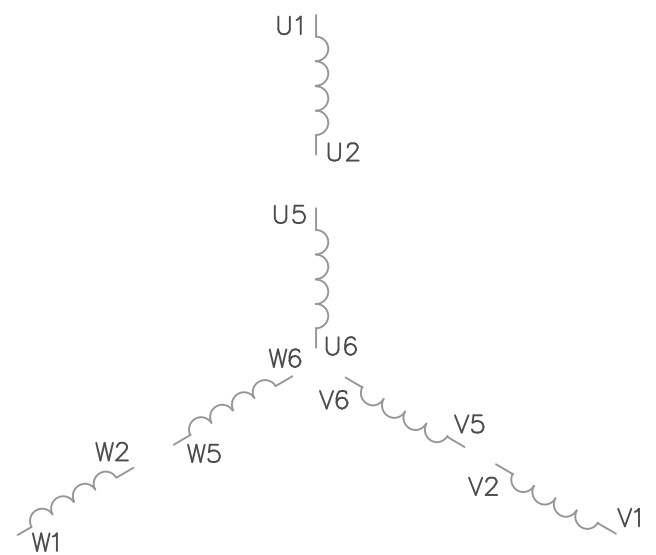
ORACLE
REV
003

DRAWING REVISION E	REVISION BY LK	DATE 11/24/2015	TOLERANCES UNLESS OTHERWISE SPECIFIED: DEC. INCH mm ANGLE .X ±0.1 [±2.5] ±0.5° .XX ±0.03 [±0.76] .XXX ±0.005 [±0.127] .XXXX ±0.0005 [±0.0127] REMOVE BURRS & BREAK SHARP EDGES: .003/.015 [.076/.381] X 45° CORNER FILLETS: R.02 [.51] MACHINED SURFACES: 125/3.2 INCH/mm	DRAWN BY KMM	Regal Beloit America, Inc.	
ECO ECO-0089388	APPROVED BY GRB	DATE 11/24/2015		DATE 08/10/07		
ECO DESCRIPTION ADDED DASH #675 PER NMR-0089703 COPYRIGHT REGAL BELOIT AMERICA, INC. ALL RIGHTS RESERVED. PROPRIETARY AND CONFIDENTIAL INFORMATION - THIS DOCUMENT IS THE PROPERTY OF REGAL BELOIT AMERICA, INC. ("OWNER") AND CONTAINS OWNER'S PROPRIETARY INFORMATION. ANY PERSON, CORPORATION OR OTHER FIRM RECEIVING IT IS DEEMED, BY RECEIVING IT, TO AGREE THAT IT, AND/OR ANY PART OF IT, SHALL NOT BE DISCLOSED TO ANY PERSON, CORPORATION OR OTHER ENTITY, DUPLICATED, AND/OR USED, EXCEPT AS EXPRESSLY APPROVED IN WRITING IN ADVANCE BY OWNER. THIS DOCUMENT SHALL BE RETURNED TO OWNER UPON REQUEST. IT MAY BE SUBJECT TO CERTAIN RESTRICTIONS UNDER APPLICABLE EXPORT CONTROL LAWS AND REGULATIONS.			REFERENCE 600053	DESCRIPTION OUTLINE 56 FRAME TEFC - RIGID	PROCESS/FINISH GENERAL PURPOSE	
mm SHOWN IN [BRACKETS]			THIRD ANGLE PROJECTION	SIZE A	DRAWING NUMBER 028781	SHEET 1 OF 1

VIEW FROM OUTSIDE OF MOTOR AT SWITCH END.



LINE LEADS



VOLTAGE	L1	L2	L3	JOIN
(2Δ) LOW	U1,W2 U5,W6	V1,U2 V5,U6	W1,V2 W5,V6	----
(2Y) MEDIUM	U1,U5	V1,V5	W1,W5	(U2,V2,W2) (U6,V6,W6)
(1Δ) HIGH	U1,W6	V1,U6	W1,V6	(U2,U5) (V2,V5) (W2,W5)

				TOLERANCES UNLESS OTHERWISE SPECIFIED	
				DECIMALS	
				.00	± .01
				.000	± .005
1	REDRAWN TO CURRENT STANDARDS	DBT	05/30/97	.0000	± .0005
NO.	REVISION	BY	DATE	FRACTIONS	± 1/64
				ANGLES	± 1/2°
				INCH/MM	

LEESON ELECTRIC CORPORATION

EXT. WIRING DIAGRAM
TYPE "T" W/O PROTECTOR

DECAL - 080590

FINISH STOCK

SIZE A

DRAWING NO. 005381-01

