

PRODUCT INFORMATION PACKET



Model No: C6T17FK58D

Catalog No: 114624.00

..3/4HP..1725RPM.56.TEFC.208-230/460V.3PH.60HZ.CONT.40C.1.25SF.RIGID
C.C6T17FK58D.....WATTSaver.AUTOMATIC.....

Totally Enclosed Fan Cooled (TEFC)



Regal and Leeson are trademarks of Regal Beloit Corporation or one of its affiliated companies.

©2018 Regal Beloit Corporation, All Rights Reserved. MC017097E





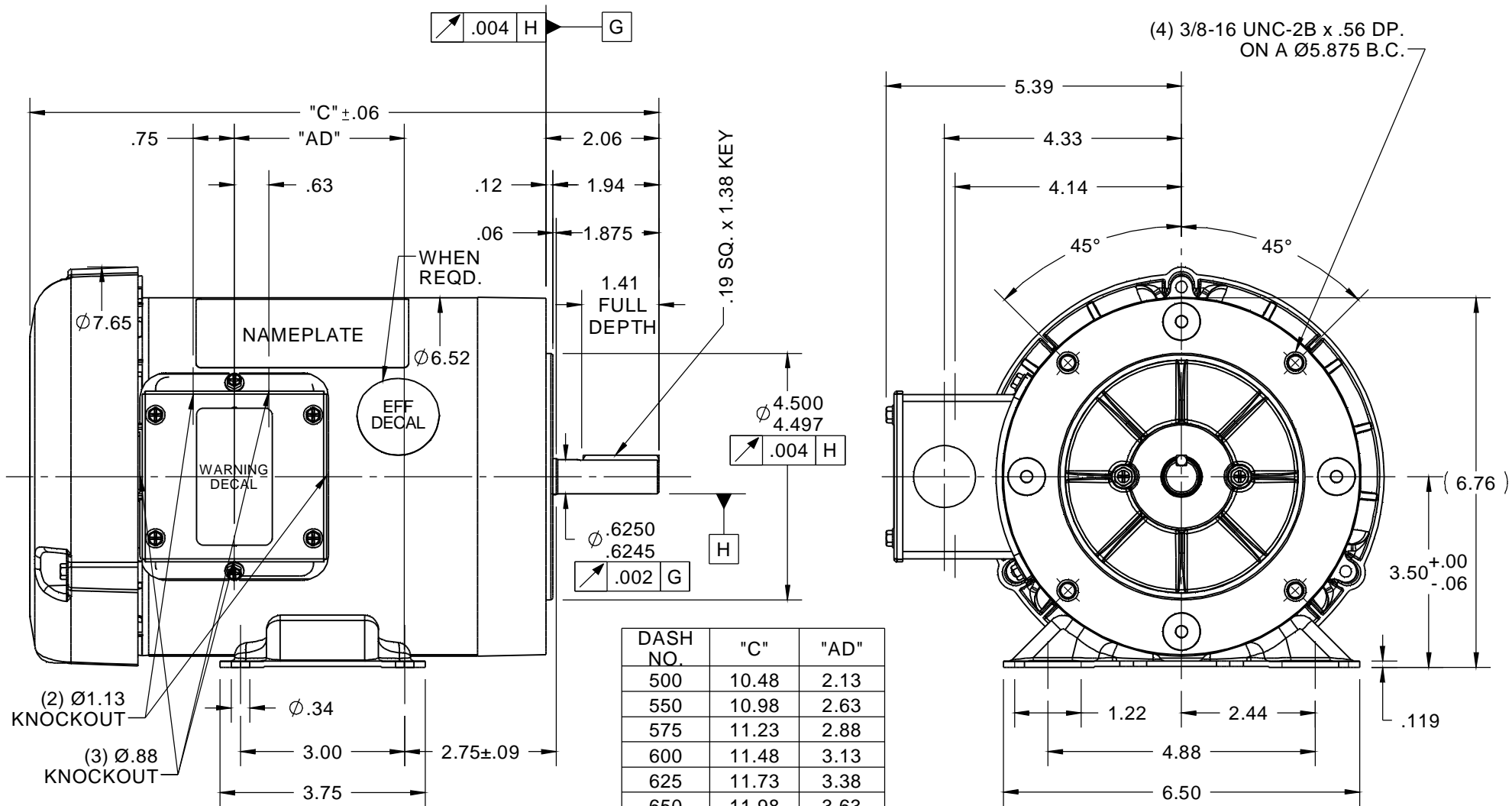
Nameplate Specifications

Output HP	0.75 Hp	Output KW	0.56 kW
Frequency	60 Hz	Voltage	208-230/460 V
Current	2.4/1.2 A	Speed	1725 rpm
Service Factor	1.25	Phase	3
Efficiency	81.5 %	Duty	Continuous
Insulation Class	F	Design Code	B
KVA Code	K	Frame	56C
Enclosure	Totally Enclosed Fan Cooled	Overload Protector	Automatic
Ambient Temperature	40 °C	Drive End Bearing Size	6203
Opp Drive End Bearing Size	6203	UL	Recognized
CSA	Y	CE	Y
IP Code	54		

Technical Specifications

Electrical Type	Squirrel Cage Inverter Rated	Starting Method	Line Or Inverter
Poles	4	Rotation	Reversible
Mounting	Rigid base	Motor Orientation	HORIZONTAL
Drive End Bearing	BALL	Opp Drive End Bearing	BALL
Frame Material	Rolled Steel	Shaft Type	NEMA 56
Overall Length	11.23 in	Frame Length	5.75 in
Shaft Diameter	0.625 in	Shaft Extension	1.88 in
Assembly/Box Mounting	F1 ONLY		
Outline Drawing	028784-575	Connection Diagram	005010.20

This is an uncontrolled document once printed or downloaded and is subject to change without notice. Date Created: 10/15/2018



NOTE:
1) GASKETS THROUGHOUT

ORACLE REV
004

DRAWING REVISION F
ECO ECO-0077371
ECO DESCRIPTION
ADDED WHEN REQD. NOTE ON EFF.DECAL & DASH# 750

REVISION BY SAJID
APPROVED BY JD
DATE 06/01/2015

COPYRIGHT REGAL BELOIT AMERICA, INC. ALL RIGHTS RESERVED. PROPRIETARY AND CONFIDENTIAL INFORMATION - THIS DOCUMENT IS THE PROPERTY OF REGAL BELOIT AMERICA, INC. ("OWNER") AND CONTAINS OWNER'S PROPRIETARY INFORMATION. ANY PERSON, CORPORATION OR OTHER FIRM RECEIVING IT IS DEEMED, BY RECEIVING IT, TO AGREE THAT IT, AND/OR ANY PART OF IT, SHALL NOT BE DISCLOSED TO ANY PERSON, CORPORATION OR OTHER ENTITY, DUPLICATED, AND/OR USED, EXCEPT AS EXPRESSLY APPROVED IN WRITING IN ADVANCE BY OWNER. THIS DOCUMENT SHALL BE RETURNED TO OWNER UPON REQUEST. IT MAY BE SUBJECT TO CERTAIN RESTRICTIONS UNDER APPLICABLE EXPORT CONTROL LAWS AND REGULATIONS.

TOLERANCES UNLESS OTHERWISE SPECIFIED:
DEC. INCH. mm ANGLE
.X ± 0.1 [± 2.5] $\pm 0.5^\circ$
.XX ± 0.03 [± 0.76]
.XXX ± 0.005 [± 0.127]
.XXXX ± 0.0005 [± 0.0127]
REMOVE BURRS & BREAK SHARP EDGES: $.003/.015$ [$.076/.381$] X 45°
CORNER FILLETS: R.02 [.51]
MACHINED SURFACES: $125 \sqrt{\text{INCH}}$ $3.2 \sqrt{\text{mm}}$
mm SHOWN IN [BRACKETS]

DRAWN BY KMM 08/14/07
DATE
APPROVED BY
DATE
REFERENCE 028784
THIRD ANGLE PROJECTION

REGAL™ Regal Beloit America, Inc.

DESCRIPTION
OUTLINE
TEFC - RIGID "C" FACE

MATERIAL
PROCESS/FINISH
GENERAL PURPOSE

SIZE A
DRAWING NUMBER 028784
SHEET 1 OF 1

VIEW FROM OUTSIDE OF MOTOR AT SWITCH END. Uncontrolled Copy



LINE LEADS



VOLTAGE	L1	L2	L3	JOIN & INSULATE
HIGH	T1	T2	T3	(T4,T7) (T5,T8) (T6,T9)
LOW	T1,T7	T2,T8	T3,T9	T4,T5,T6

DRAWING REVISION **G** REVISION BY **MVG** DATE **04/05/2017**

ECO **ECO-0121253** APPROVED BY **SM** DATE **04/05/2017**

ECO DESCRIPTION
ADDED P1 & P2 FOR TSTAT

COPYRIGHT REGAL BELOIT AMERICA, INC. ALL RIGHTS RESERVED.
PROPRIETARY AND CONFIDENTIAL INFORMATION - THIS DOCUMENT IS THE PROPERTY OF
REGAL BELOIT AMERICA, INC. ('OWNER') AND CONTAINS OWNER'S PROPRIETARY
INFORMATION. ANY PERSON, CORPORATION OR OTHER FIRM RECEIVING IT IS DEEMED,
BY RECEIVING IT, TO AGREE THAT IT, AND/OR ANY PART OF IT, SHALL NOT BE DISCLOSED
TO ANY PERSON, CORPORATION OR OTHER ENTITY, DUPLICATED, AND/OR USED, EXCEPT
AS EXPRESSLY APPROVED IN WRITING IN ADVANCE BY OWNER. THIS DOCUMENT SHALL
BE RETURNED TO OWNER UPON REQUEST. IT MAY BE SUBJECT TO CERTAIN
RESTRICTIONS UNDER APPLICABLE EXPORT CONTROL LAWS AND REGULATIONS.

TOLERANCES UNLESS OTHERWISE SPECIFIED:

DEC.	INCH	mm	ANGLE
.X	±0.1	[±2.5]	±0.5°
.XX	±0.01	[±0.25]	
.XXX	±0.005	[±0.127]	
.XXXX	±0.0005	[±0.0127]	

REMOVE BURRS & BREAK SHARP
EDGES: .003/.015 [.076/.381] X 45°
CORNER FILLETS: R.02 [.51]
MACHINED SURFACES: 125/3.2
INCH/mm

mm SHOWN IN [BRACKETS]

DRAWN BY **DBT 12/16/97**

DATE

APPROVED BY **KH 12/17/97**

DATE

REFERENCE

THIRD ANGLE PROJECTION

REGAL™ Regal Beloit America, Inc.

DESCRIPTION
CONN DIAGRAM-EXTERNAL
3 PHASE WITH PROTECTOR

MATERIAL DECAL - 004014 (TSTAT) - 080582	PROCESS/FINISH STOCK
SIZE A	DRAWING NUMBER 00501020
SHEET 1 OF 1	



P.O. BOX 8003
WAUSAU, WI 54401-8003
PH. 715-675-3311

DATA VOLTS: 460

CERTIFICATION DATA SHEET

CONN. DIAGRAM: 005010.20
OUTLINE: 028784-575
WINDING: T634302

FR 3

CAT #: 114624.00

TYPICAL MOTOR PERFORMANCE DATA

HP	KW	SYNC RPM	FL RPM	FRAME	ENCLOSURE	TYPE	KVA CODE	DESIGN					
0.75	0.56	1800	1744	56C	TEFC	NA	K	B					
PH	HZ	VOLTS	AMPS	START TYPE	DUTY	INSL	S.F.	AMB	ELEV.				
3	60/50	208-230/460#190/380	2.35/1.282/7/1.35	LINE OR INVERTER	CONT	F	1.15	40	3300				
F.L. EFF	F.L. PF	81.6	72.3	3/4 LD EFF	3/4 LD PF	81.2	66.6	1/2 LD EFF	1/2 LD PF	79.5	54.3	0.0	ELECT. TYPE
													SO CAGE INVERTED
F.L. TORQUE	574 LB-FT	LR AMPS @ 460 V	8.0	L.R. TORQUE	1,690 LB-FT	294%	B.D. TORQUE	2,168 LB-FT	378%	F.L. RISE (°C)	32		
PRESSURE @3	0 DBA	POWER	9 DBA	ROTOR WK²	0.08 LB-FT²	0.1 LB-FT²	MAX. LOAD WK²	SAFE STALL TIME	10 SEC.	STARTS/HOUR	0	MOTOR WGT	0 LB.

*** SUPPLEMENTAL INFORMATION ***

DE BRACKET TYPE	ODE BRACKET TYPE	MOUNT TYPE	MOTOR ORIENTATION	SEVERE DUTY	HAZARDOUS LOCATION	DRIIP COVER	SCREENS	PAINT
C-FACE	STANDARD	RIGID	HORIZONTAL	NO	NONE	NO	NONE	N - LEESON WATTS
BEARINGS	GREASE	SHAFT TYPE	SPECIAL DE	SPECIAL ODE	SHAFT	MATERIAL	FRAME MATERIAL	
DE ODE	BALL	POLYREX EM	STANDARD 56	NONE	NONE	1144 STRESSPROOF (C-223)	ROLLED STEEL	
6203	6203							
THERMOSTATS	PROTECTORS	WDG RTD's	BRG RTD's	THERMISTORS	CONTROL	SPACE HEATERS		
TSTATS (N/C)	AUTOMATIC	NONE	NONE	NONE	FALSE	NA		
R1 (ohms/ph)	R2 (ohms/ph)	X1 (ohms/ph)	X2 (ohms/ph)	Xm (ohms/ph)	VIBRATION (in/sec)	FLOAT		
0	0	0	0	0	0.080	ODE		

INVERTER TORQUE: CONSTANT 10:1
INV. HP SPEED RANGE: 1.5 X BASE SPEED

ENCODER: NONE
BRAKE: NONE
FT-LB: NONE
VOLTAGE: NONE
UL: Y-(LEESON UL REC)

DATE: 1/23/2018

UL: Y-(LEESON UL REC)

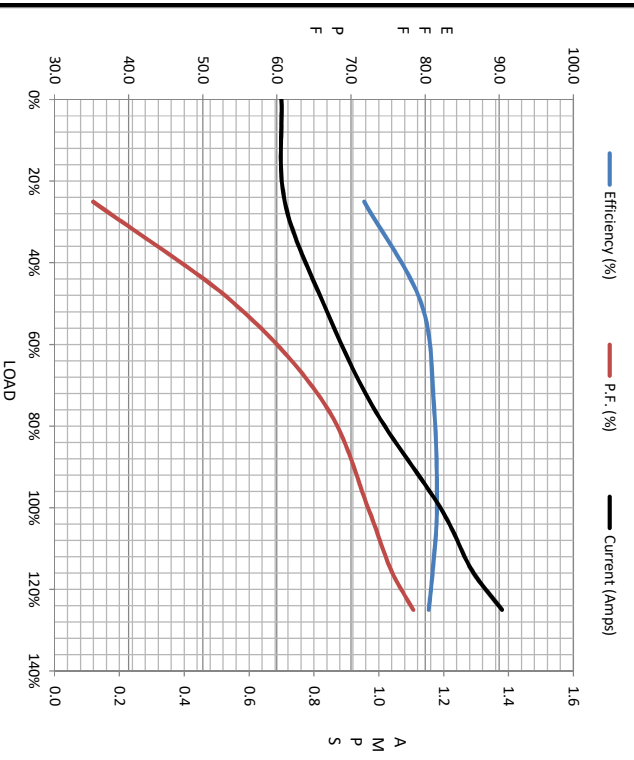
UL: Y-(LEESON UL REC)

HZ:



Motor Load Data						Data @ 460 V		
Load	0%	25%	50%	75%	100%	115%	125%	LR
Current (Amps)	0.70	0.71	0.83	0.98	1.19	1.29	1.38	8.0
Torque (ft-lb)	0.00	143	287	430	574	10,289	717	1,690
RPM	1800	1787	1775	1760	1744	1,738	1730	0
Efficiency (%)		71.8	79.5	81.2	81.6	81.1	80.5	
P.F. (%)	11.7	35.2	54.3	66.6	72.3	75.4	78.4	0.0

Motor Speed Data					Information Block					
	LR	Pull-Up	BD	Rated	Idle	HP	Sync. RPM	Frame	Enclosure	Construction
Speed (RPM)	0	900	1656	1744	1800	0.8	1800	140	TEFC	NA
Current (Amps)	8.0	7.3	4.8	1.19	0.70					208-230/460#190/380
Torque (ft-lb)	1,690	1,658	2,168	574	0.00					60 Hz
										Design B
										LR Code letter K
										Service Factor 1.15
										Temp Rise @ FL 32 °C
										Duty CONT
										Ambient 40 °C
										Elevation 1,000 feet
										Rotor/Shaft wk ² 0.08 LB-Ft ²
										Ref Wdg T634302 FR
										Sound Pressure @ 1M 0 dbA
										VFD Rating CONSTANT 10:1
										Outline Dwg 028784-575
										Conn. Diag 005010.20
										Additional Specifications:
										0
										EQUIV CKT (OHMS / PHASE)
										R1 R2 X1 X2 Xm
										0.0000 0.0000 0.0000 0.0000 0.0000



	R1	R2	X1	X2	Xm
	0.0000	0.0000	0.0000	0.0000	0.0000

