

PRODUCT INFORMATION PACKET



Model No: A6P8NZ2C
Catalog No: 114620.00

1/2HP..825RPM.56.TENV.V.1PH.60HZ.AIROVER.AUTOMATIC.40C.1.0SF.SPECIAL.AG - AG FAN
MOTORS.A6P8NZ2C
Direct Drive



Regal and Leeson are trademarks of Regal Beloit Corporation or one of its affiliated companies.
©2018 Regal Beloit Corporation, All Rights Reserved. MC017097E





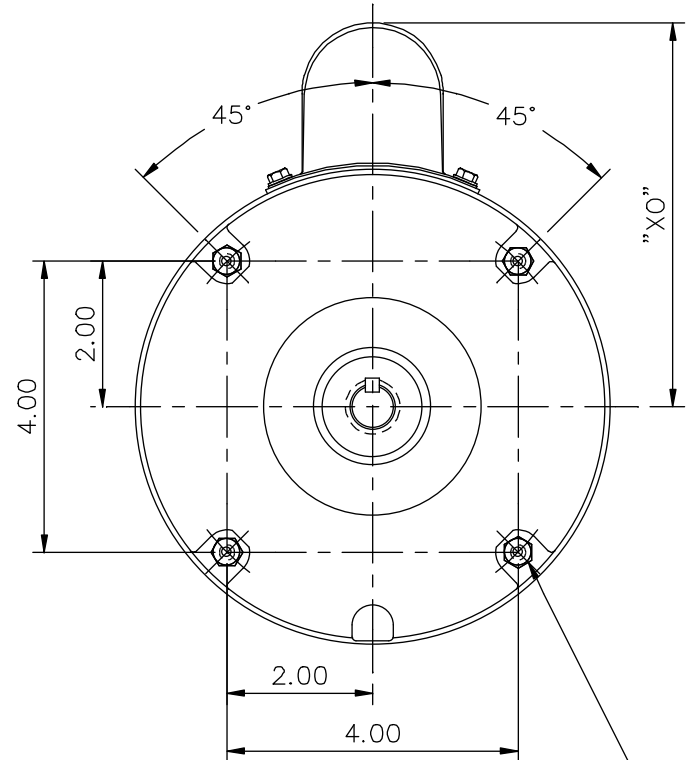
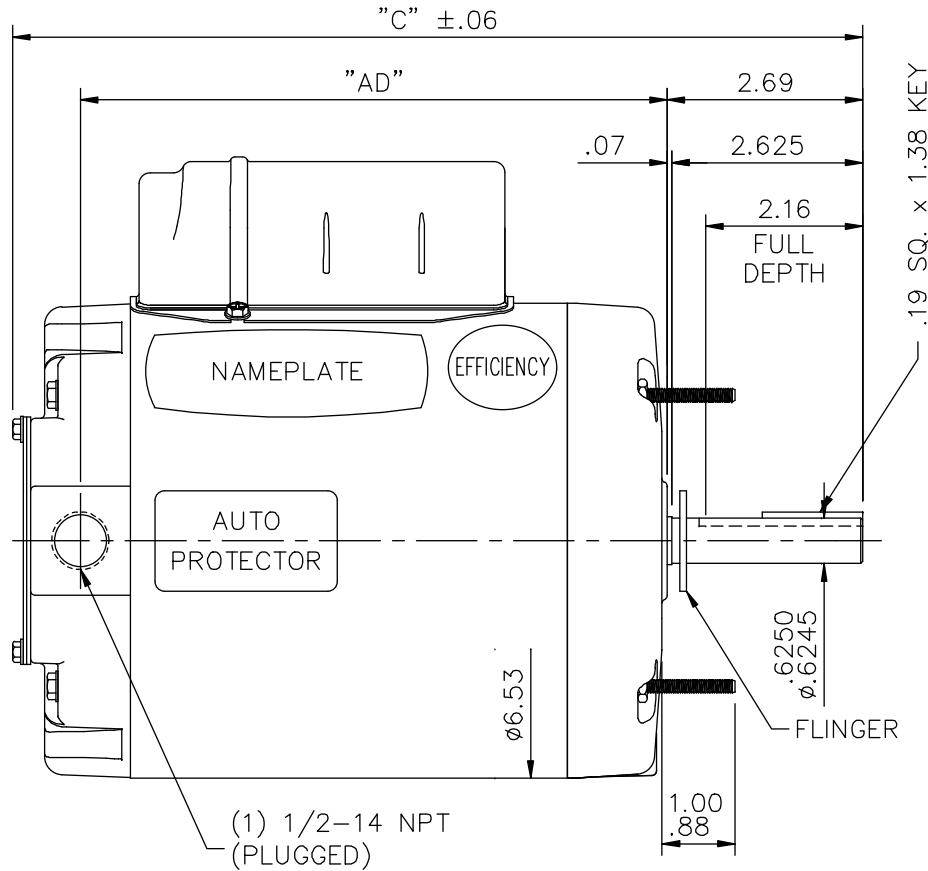
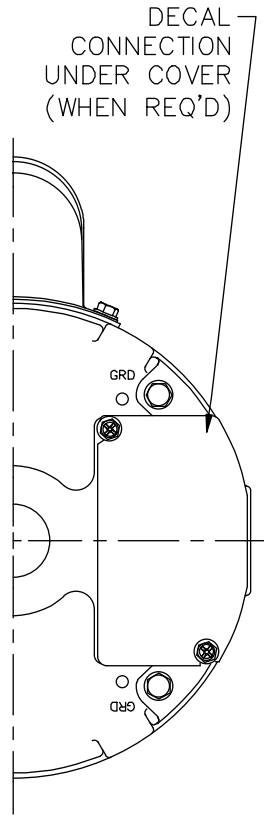
Nameplate Specifications

Output HP	0.50 Hp	Output KW	0.37 kW
Frequency	60 Hz	Voltage	115/230 V
Current	6.4/3.2 A	Speed	825 rpm
Service Factor	1	Phase	1
Efficiency	57.5 %	Duty	Continuous
Insulation Class	F	Design Code	NO DESIGN CODE
KVA Code	C	Frame	56Z
Enclosure	Totally Enclosed Air Over	Overload Protector	Automatic
Ambient Temperature	40 °C	Drive End Bearing Size	6203
Opp Drive End Bearing Size	6203	UL	Recognized
CSA	Y	CE	N
IP Code	43		

Technical Specifications

Electrical Type	Permanent Split Capacitor	Starting Method	Across The Line
Poles	8	Rotation	Selective Counterclockwise
Mounting	Round - Extended Studs	Motor Orientation	HORIZONTAL
Drive End Bearing	BALL	Opp Drive End Bearing	BALL
Frame Material	Rolled Steel	Shaft Type	NEMA 56
Overall Length	12.68 in	Frame Length	7.00 in
Shaft Diameter	0.625 in	Shaft Extension	2.62 in
Assembly/Box Mounting	F1 ONLY		
Outline Drawing	028758-700	Connection Diagram	005109.01

This is an uncontrolled document once printed or downloaded and is subject to change without notice. Date Created: 10/15/2018




(1) 1/2-14 NPT (PLUGGED)

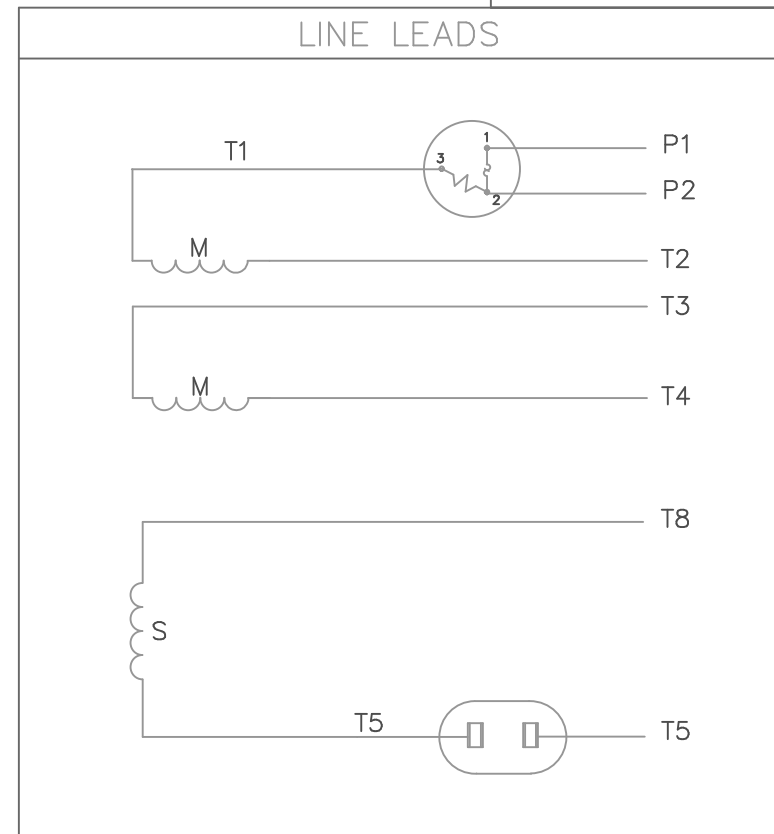
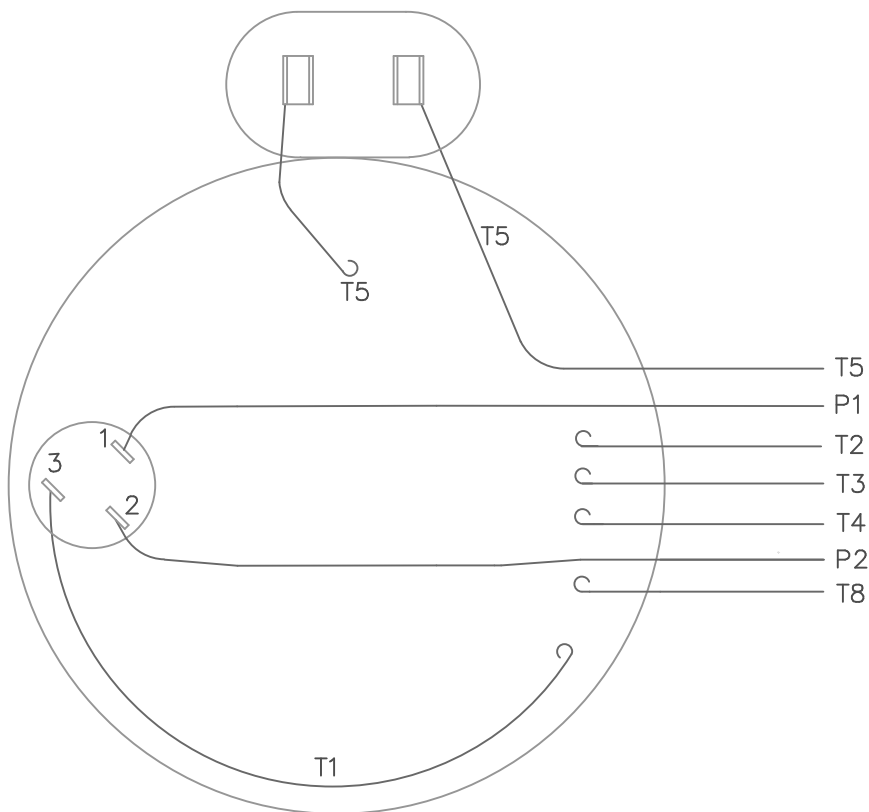
(4) #10-32 UNF-2A THREAD ON A 5.656 B.C.

DASH NO.	"C"	"AD"	CAP. DASH	"XO"
600	11.68	8.06	A	4.80
650	12.18	8.56	B	5.27
700	12.68	9.06	C	5.51

GASKETS THROUGHOUT

NO.	REVISION	BY & DATE	CHK	TOLERANCES UNLESS SPECIFIED		TITLE	DRAWN	RDW 8/7/06	
				DEC.	INCHES				
				.X	±.1	 ELECTRIC MOTORS GEARMOTORS AND DRIVES	CHK		
				.XX	±.03		APPD	KH 8/7/06	
				.XXX	±.005		SCALE	3=8	
				.XXXX	±.0005		REF	034406	
				ANG	±1/2'	MAT'L.	VENTILATION FAN	FMF	
						FINISH		PREV	
THIS DRAWING IN DESIGN AND DETAIL IS OUR PROPERTY AND MUST NOT BE USED EXCEPT IN CONNECTION WITH OUR WORK ALL RIGHTS OF DESIGN AND INVENTION ARE RESERVED THIS IS AN ELECTRONICALLY GENERATED DOCUMENT - DO NOT SCALE THIS PRINT			RFP	8/7/06	CAD FILE	028758	SIZE	DRAWING NO.	REV.
			DIST	BRF-NLV			A	028758	

VIEW FROM OUTSIDE OF MOTOR AT SWITCH END.



	ROTATION FACING LEAD END	L1	L2	JOIN	INSULATE SEPARATELY
HIGH VOLT	C.C.W.	P1	T4 T5	T2, T3 T8	P2
	C.W.	P1	T4 T8	T2, T3 T5	P2
LOW VOLT	C.C.W.	P1	T2, T4 T5	P2, T3 T8	--
	C.W.	P1	T2, T4 T8	P2, T3 T5	--

				TOLERANCES UNLESS OTHERWISE SPECIFIED			LEESON ELECTRIC CORPORATION				
				DEC.	INCHES	METRIC					
				.X	±	±	DRAWN JRW 10/01/75		TITLE EXTERNAL WIRING DIAGRAM TYPE "P" W/PROTECTOR		
				.XX	±	±	APPR. JBM 10/02/75				
08	REDRAWN ON CAD	DBT 05/28/97		.XXX	±	±	R.F.P.		MAT'L. DECAL - 004011		
NO.	REVISION	BY & DATE	CH'K'D.	.XXXX	±	±	SCALE 1=1				
THIS DRAWING IN DESIGN AND DETAIL IS OUR PROPERTY AND MUST NOT BE USED EXCEPT IN CONNECTION WITH OUR WORK ALL RIGHTS OF DESIGN AND INVENTION ARE RESERVED THIS IS AN ELECTRONICALLY GENERATED DOCUMENT - DO NOT SCALE THIS PRINT				FRACTIONS	±		REF.	005003	FINISH	REV. 08	DRAWING NO. 005109-01
				ANGLES	±		FMF	W-P5567			

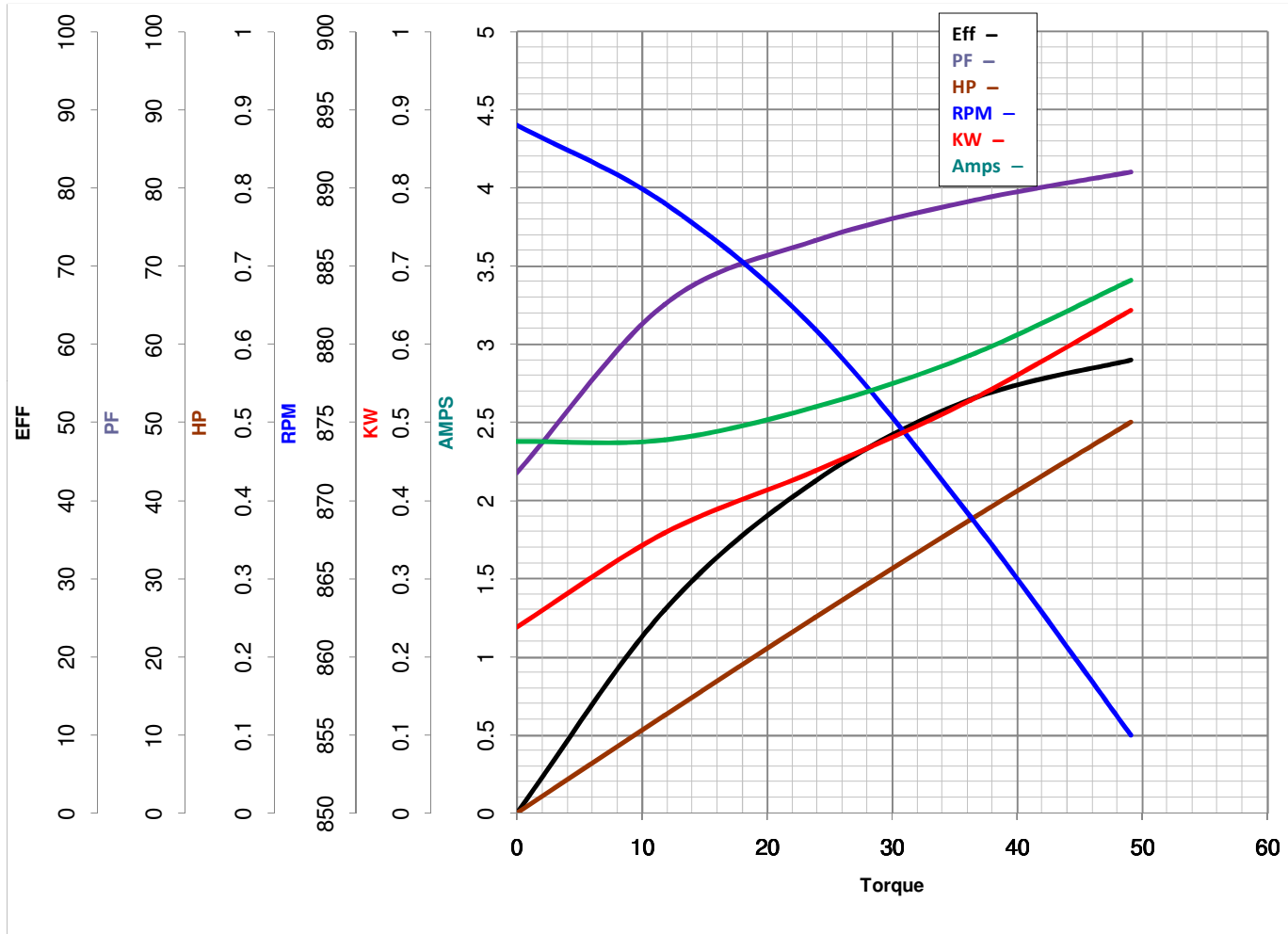


LEESON ELECTRIC CORPORATION
TYPICAL PERFORMANCE CURVE for AC MOTOR

Model No 114620.00

Catalog No 114620.00

Curve at 230 Volts HP 0.50 PHASE 1
60 HZ
0.5 HP VOLTS 115/230
HZ 60 RPM 825



Torque in Oz.Ft

FL TORQUE 49.1 Oz.Ft
 BD TORQUE 74.9 Oz.Ft
 LR TORQUE 21.5 Oz.Ft

FL AMPS 6.4/3.2
 PU TORQUE 18.8 Oz.Ft
 LR AMPS 8.36

WINDING P63815-3

Date 4/12/2018