

# PRODUCT INFORMATION PACKET



Model No: C6C11FB7D

Catalog No: 114617.00

..1/4HP..1140RPM.56.TEFC.115/208-230V.1PH.60HZ.CONT.40C.1.15SF.RIGID.C6C11FB7D.....GENERAL  
PURPOSE.NOT.....

Totally Enclosed Fan Cooled (TEFC)



Regal and Leeson are trademarks of Regal Beloit Corporation or one of its affiliated companies.

©2018 Regal Beloit Corporation, All Rights Reserved. MC017097E





### Nameplate Specifications

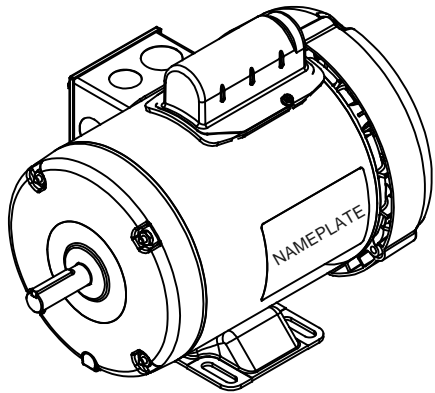
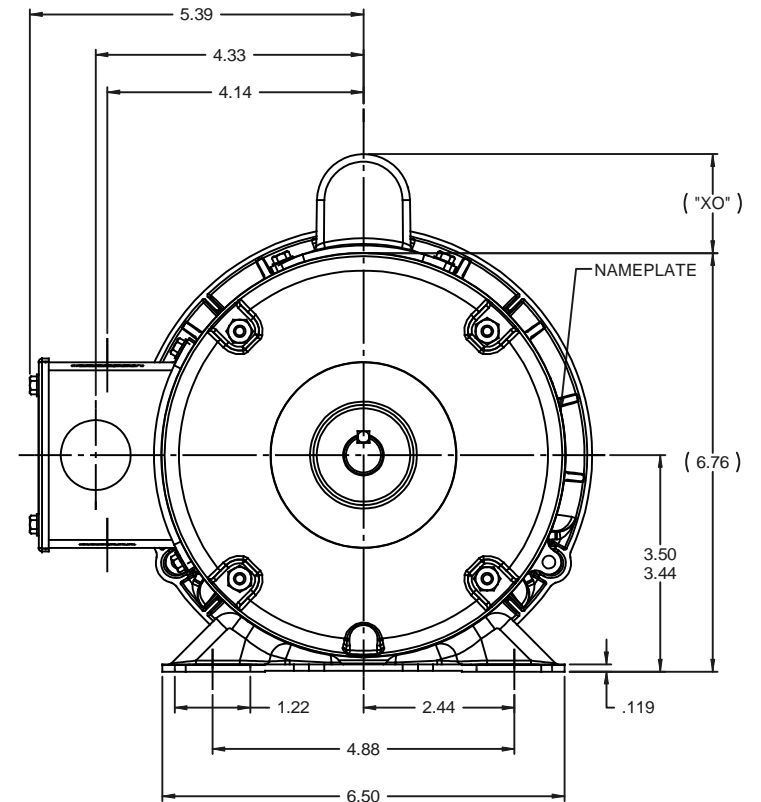
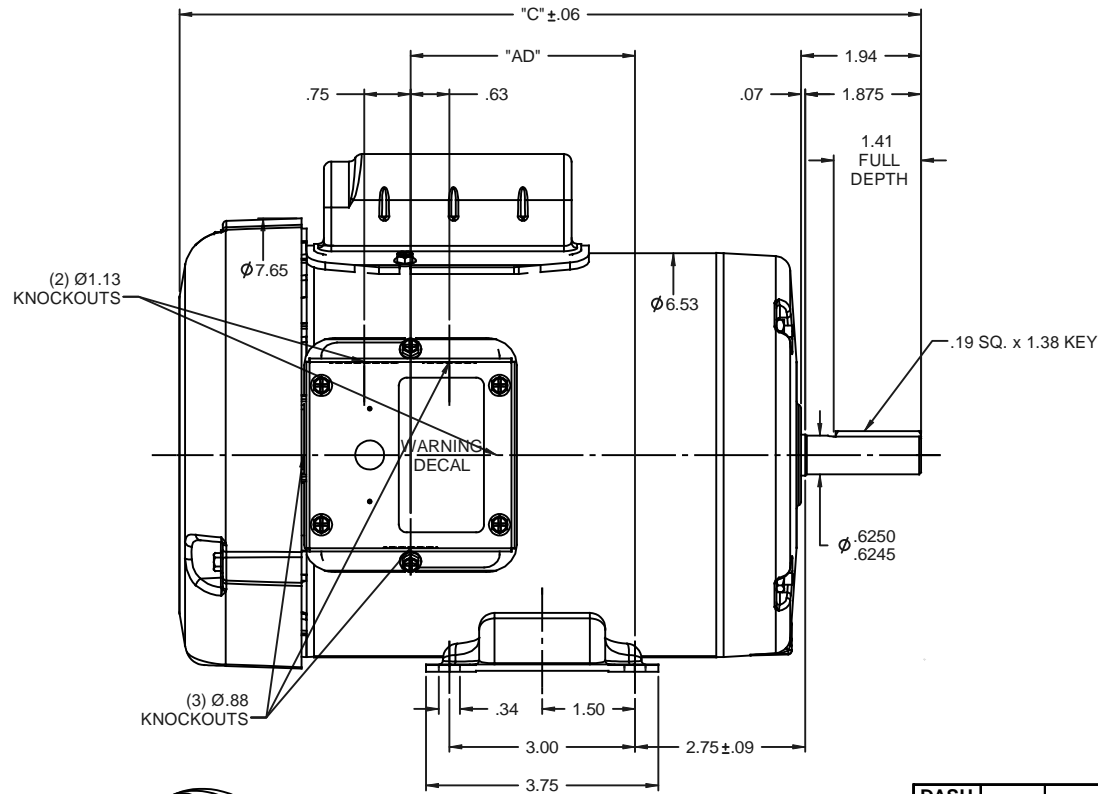
|                            |                                    |                        |                      |
|----------------------------|------------------------------------|------------------------|----------------------|
| Output HP                  | <b>0.25 Hp</b>                     | Output KW              | <b>0.19 kW</b>       |
| Frequency                  | <b>60 Hz</b>                       | Voltage                | <b>115/208-230 V</b> |
| Current                    | <b>5.6/2.8 A</b>                   | Speed                  | <b>1140 rpm</b>      |
| Service Factor             | <b>1.15</b>                        | Phase                  | <b>1</b>             |
| Efficiency                 | <b>59 %</b>                        | Duty                   | <b>Continuous</b>    |
| Insulation Class           | <b>B</b>                           | Design Code            | <b>N</b>             |
| KVA Code                   | <b>N</b>                           | Frame                  | <b>56</b>            |
| Enclosure                  | <b>Totally Enclosed Fan Cooled</b> | Overload Protector     | <b>No</b>            |
| Ambient Temperature        | <b>40 °C</b>                       | Drive End Bearing Size | <b>6203</b>          |
| Opp Drive End Bearing Size | <b>6203</b>                        | UL                     | <b>Recognized</b>    |
| CSA                        | <b>Y</b>                           | CE                     | <b>N</b>             |
| IP Code                    | <b>43</b>                          |                        |                      |

### Technical Specifications

|                       |                                      |                       |                                   |
|-----------------------|--------------------------------------|-----------------------|-----------------------------------|
| Electrical Type       | <b>Capacitor Start Induction Run</b> | Starting Method       | <b>Across The Line</b>            |
| Poles                 | <b>6</b>                             | Rotation              | <b>Selective Counterclockwise</b> |
| Mounting              | <b>Rigid base</b>                    | Motor Orientation     | <b>HORIZONTAL</b>                 |
| Drive End Bearing     | <b>BALL</b>                          | Opp Drive End Bearing | <b>BALL</b>                       |
| Frame Material        | <b>Rolled Steel</b>                  | Shaft Type            | <b>NEMA 56</b>                    |
| Overall Length        | <b>11.99 in</b>                      | Frame Length          | <b>6.50 in</b>                    |
| Shaft Diameter        | <b>0.625 in</b>                      | Shaft Extension       | <b>1.88 in</b>                    |
| Assembly/Box Mounting | <b>F1 ONLY</b>                       |                       |                                   |
| Outline Drawing       | <b>028902-650</b>                    | Connection Diagram    | <b>005005.01</b>                  |

**This is an uncontrolled document once printed or downloaded and is subject to change without notice. Date Created: 10/15/2018**

RBC PROPRIETARY AND CONFIDENTIAL INFORMATION  
 This document is the property of REGAL BELOIT CORPORATION ("RBC") including its subsidiaries and divisions and contains proprietary information of RBC. This document is loaned on the express condition that neither it nor the information contained therein shall be disclosed to others without the express written consent of RBC, and that the information shall be used by the recipient only as approved expressly by RBC. This document shall be returned to RBC upon its request. This document may be subject to certain restrictions under U.S. export control laws and regulations.



| DASH NO. | "C"   | "AD" | CAP DASH | "XO" |
|----------|-------|------|----------|------|
| 500      | 10.49 | 2.13 | A        | 1.61 |
| 550      | 10.99 | 2.63 | B        | 2.08 |
| 600      | 11.49 | 3.13 | C        | 2.32 |
| 650      | 11.99 | 3.63 |          |      |
| 700      | 12.49 | 4.13 |          |      |
| 750      | 12.99 | 4.63 |          |      |

NOTES:  
 GASKETS THROUGHOUT  
 MAXIMUM FACE RUNOUT .004 T.I.R.  
 MAXIMUM PILOT ECCENTRICITY .004 T.I.R.  
 PERMISSIBLE SHAFT RUNOUT .002 T.I.R.

| REVISION |  | BY & DATE | CHK | ANG      | ±1/2" | FINISH | GENERAL PURPOSE | SIZE | DRAWING NO | REV |
|----------|--|-----------|-----|----------|-------|--------|-----------------|------|------------|-----|
| NO       |  |           | RFP | 11/05/08 |       | PREV   |                 | B    | 028902     |     |

| TOLERANCES UNLESS SPECIFIED |        | TITLE              |  | DRAWN           |  |
|-----------------------------|--------|--------------------|--|-----------------|--|
| DEC                         | INCHES | OUTLINE - 56 FRAME |  | GRB 11/05/08    |  |
| x                           | ±.1    | TEFC - RIGID       |  | CHK DJ 11/05/08 |  |
| .XX                         | ±.03   | MATL               |  | APPR            |  |
| .XXX                        | ±.005  |                    |  | SCALE 1:2       |  |
| .XXXX                       | ±.0005 |                    |  | REF OL114617    |  |
|                             |        |                    |  | FMF 114617.00   |  |
|                             |        |                    |  | PAGE 1 OF 1     |  |



**ELECTRIC MOTORS  
 GEARMOTORS  
 AND DRIVES**

VIEW FROM OUTSIDE OF MOTOR AT SWITCH END.




LINE LEADS



|              | ROTATION<br>FACING<br>LEAD END | L1         | L2         | JOIN       |
|--------------|--------------------------------|------------|------------|------------|
| HIGH<br>VOLT | C.C.W.                         | T1         | T4, T5     | T2, T3, T8 |
|              | C.W.                           | T1         | T4, T8     | T2, T3, T5 |
| LOW<br>VOLT  | C.C.W.                         | T1, T3, T8 | T2, T4, T5 | -----      |
|              | C.W.                           | T1, T3, T5 | T2, T4, T8 | -----      |

RBC PROPRIETARY AND CONFIDENTIAL INFORMATION

This document is the property of REGAL BELOIT CORPORATION ("RBC") including its subsidiaries and divisions and contains proprietary information of RBC. This document is loaned on the express condition that neither it nor the information contained therein shall be disclosed to others without the express written consent of RBC, and that the information shall be used by the recipient only as approved expressly by RBC. This document shall be returned to RBC upon its request. This document may be subject to certain restrictions under U.S. export control laws and regulations.

|                        |   |              |                   |                                |          |   |   |                    |
|------------------------|---|--------------|-------------------|--------------------------------|----------|---|---|--------------------|
| --                     | REDRAWN IN SOLIDWORKS                     | VJB 02/16/11 |                   | TOLERANCES<br>UNLESS SPECIFIED |          |  | ELECTRIC MOTORS<br>GEARMOTORS<br>AND DRIVES | DRAWN ADH 08/06/73 |
| 27                     | UPDATED TO CURRENT STANDARDS              | DBT 05/27/97 |                   | DEC                            | INCHES   |   |   | CHK                |
| 26                     | ADDED PAGE 32 (114787) & PAGE 33 (114788) | KAZ 12/20/95 | PG                | .X                             | ±.1      |   |   | APPR JCW 03/09/79  |
| 25                     | ADDED PAGE 31                             | KAZ 04/19/95 | DL                | .XX                            | ±.01     | TITLE   | EXTERNAL WIRING DIAGRAM                     | SCALE 1:1          |
| 24                     | ADDED PAGES 29 & 30                       | KMM 03/30/95 | DL                | .XXX                           | ±.005    |   | TYPE "C" W/O PROTECTOR                      | REF FIG 2-23 C4A   |
| 23                     | ADDED PAGE 28                             | KMM 01/27/95 |                   | .XXXX                          | ±.0005   | MAT'L   | DECAL - 004012                              | FMF MGI-2.4B       |
| NO                     | REVISION                                  | BY & DATE    | CHK               | ANG                            | ±1/2°    | FINISH  |   | PAGE OF            |
| THIRD ANGLE PROJECTION |   |              | RFP               |                                | PREV     | SIZE  | DRAWING NO                                  | REV                |
|                        |   |              | NETWORK FILE NAME |                                | 00500501 | A   | 005005-01                                   | --                 |



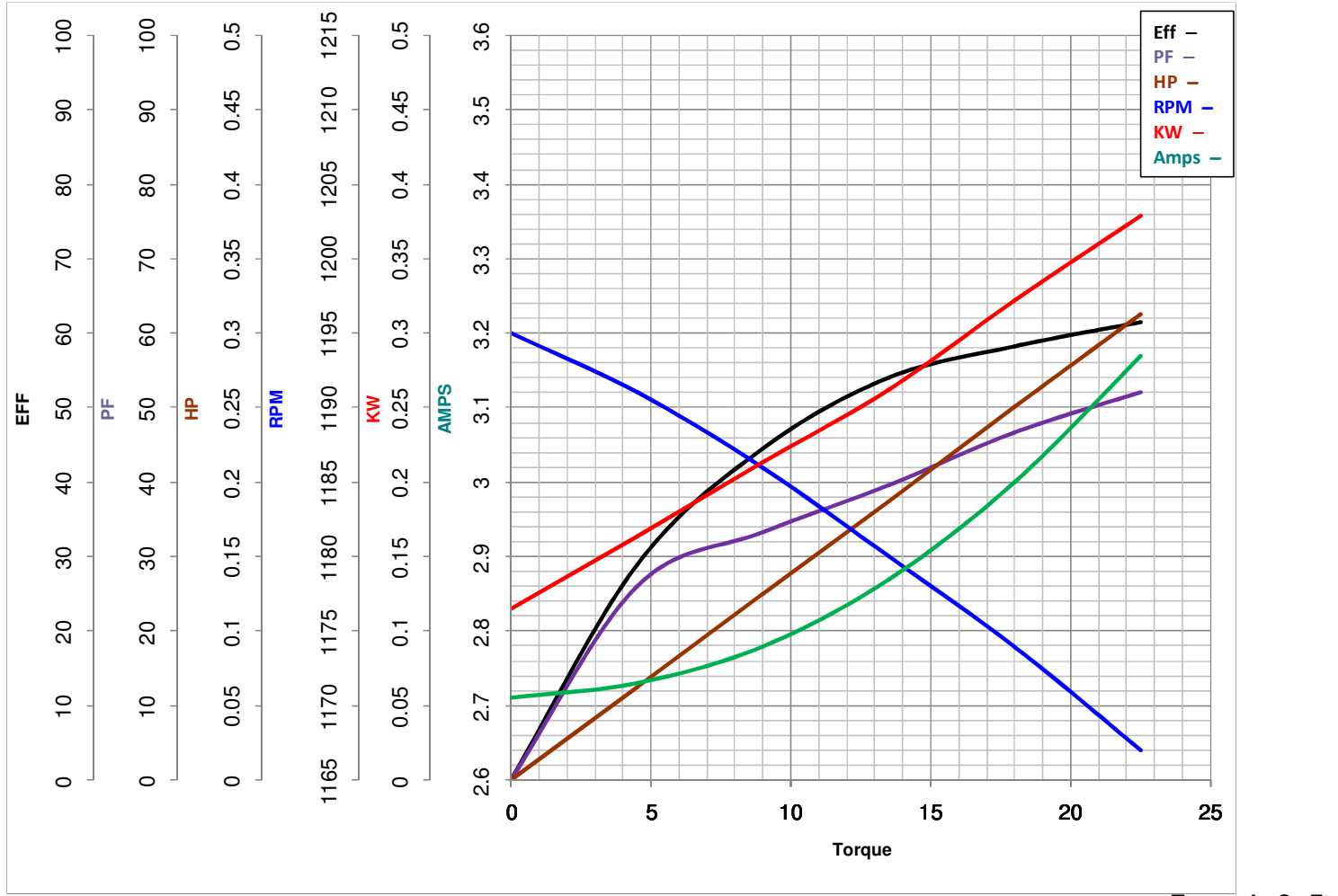
**LEESON ELECTRIC CORPORATION**  
 TYPICAL PERFORMANCE CURVE for AC MOTOR

Model No 114617.00

Catalog No 114617.00

Curve at 230 Volts      HP 0.25      PHASE 1  
60 HZ  
0.25 HP      VOLTS 115/208-230

HZ 60      RPM 1140



|           |              |       |           |                |       |
|-----------|--------------|-------|-----------|----------------|-------|
| FL TORQUE | <u>18</u>    | Oz.Ft | FL AMPS   | <u>5.6/2.8</u> |       |
| BD TORQUE | <u>54.7</u>  | Oz.Ft | PU TORQUE | <u>36.0</u>    | Oz.Ft |
| LR TORQUE | <u>50.67</u> | Oz.Ft | LR AMPS   | <u>13.52</u>   |       |
| WINDING   | C63646-3     |       | Date      | 4/12/2018      |       |