

PRODUCT INFORMATION PACKET



Model No: CZ6T17VC11D

Catalog No: 114395.00

3/4HP..1725RPM.56.TENV.208-230/460V.3PH.60HZ.CONT.NOT.40C.1.15SF.C FACE.SUPER
DUCK.CZ6T17VC11D

Paint Free



Regal and Leeson are trademarks of Regal Beloit Corporation or one of its affiliated companies.

©2018 Regal Beloit Corporation, All Rights Reserved. MC017097E





Nameplate Specifications

Output HP	0.75 Hp	Output KW	0.56 kW
Frequency	60 Hz	Voltage	208-230/460 V
Current	2.4-2.3/1.2 A	Speed	1725 rpm
Service Factor	1.15	Phase	3
Efficiency	80 %	Duty	Continuous
Insulation Class	F	Design Code	B
KVA Code	L	Frame	F56C
Enclosure	Totally Enclosed Non Ventilated	Overload Protector	No
Ambient Temperature	40 °C	Drive End Bearing Size	6205
Opp Drive End Bearing Size	6203	UL	Recognized
CSA	Y	CE	N
IP Code	55		

Technical Specifications

Electrical Type	Squirrel Cage Inverter Rated	Starting Method	Line Or Inverter
Poles	4	Rotation	Reversible
Mounting	Round	Motor Orientation	HORIZONTAL
Drive End Bearing	BALL	Opp Drive End Bearing	BALL
Frame Material	Stainless Steel	Shaft Type	NEMA 56
Overall Length	11.56 in	Frame Length	6.50 in
Shaft Diameter	0.625 in	Shaft Extension	1.88 in
Assembly/Box Mounting	F1 ONLY		
Outline Drawing	029068-650	Connection Diagram	005010.01

This is an uncontrolled document once printed or downloaded and is subject to change without notice. Date Created: 10/15/2018

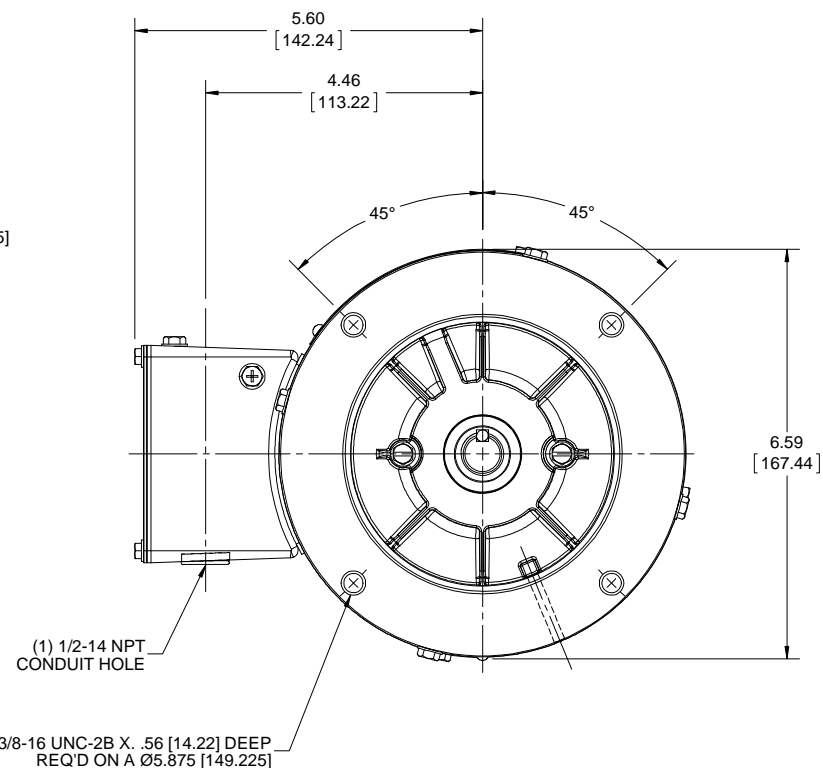
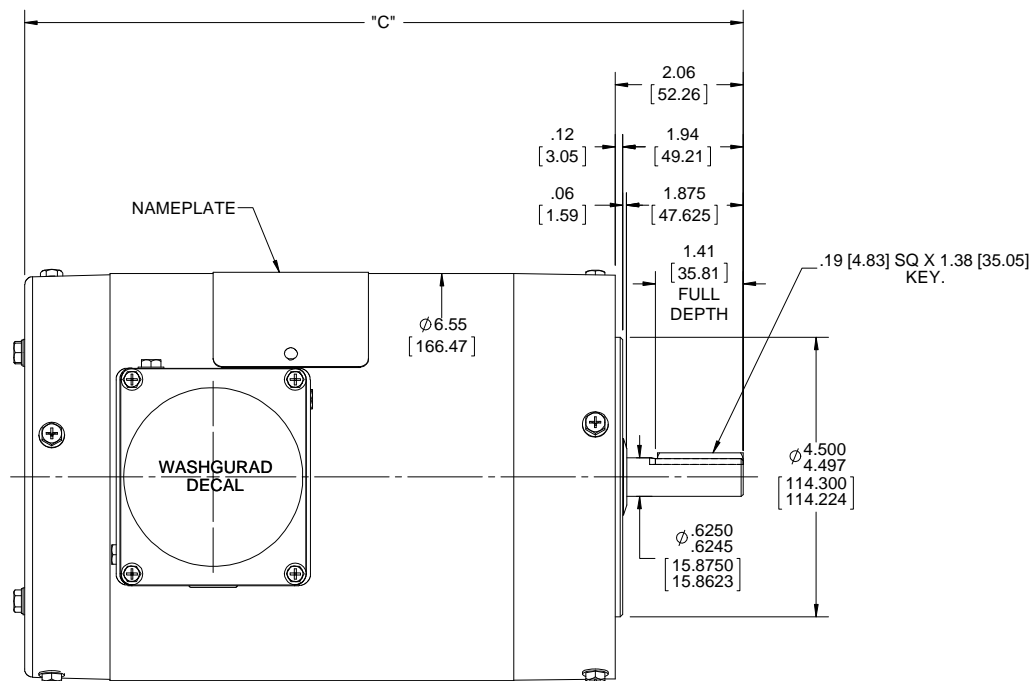
4

3

Uncontrolled Copy

2

1



WASHGUARD II / BISSC MOTOR

SPECIAL FEATURES:

- 1) BUNA-N GASKETS THROUGHOUT.
- 2) SHAFT SEAL & V-RING.
- 3) DRAIN HOLES IN ENDBELLS & CONDUIT BOX.
- 4) STAINLESS STEEL HARDWARE, FRAME & NAMEPLATE.
- 5) CORROSION RESISTANT FINISH ON ENDBELLS & CONDUIT BOX.

MAXIMUM FACE RUNOUT TO BE .004[.102] T.I.R.
 MAXIMUM PILOT ECCENTRICITY .004[.102] T.I.R.
 PERMISSIBLE SHAFT RUNOUT .002[.051] T.I.R.

FRAME	DASH NO	"C"
E56C	600	11.06 [280.92]
F56C	650	11.56 [293.62]

DRAWING REVISION	REVISION BY	DATE
A		
ECO-0136357	APPROVED BY	DATE
ECO DESCRIPTION		
OUTLINE CONVERSION PROJECT		
<small>COPYRIGHT REGAL BELOIT AMERICA, INC. ALL RIGHTS RESERVED. PROPRIETARY AND CONFIDENTIAL INFORMATION - THIS DOCUMENT IS THE PROPERTY OF REGAL BELOIT AMERICA, INC. ("OWNER") AND CONTAINS OWNER'S PROPRIETARY INFORMATION. ANY PERSON, CORPORATION OR OTHER FIRM RECEIVING IT IS DEEMED, BY RECEIVING IT, TO AGREE THAT IT, AND/OR ANY PART OF IT, SHALL NOT BE DISCLOSED TO ANY PERSON, CORPORATION OR OTHER ENTITY, DUPLICATED, AND/OR USED, EXCEPT AS EXPRESSLY APPROVED IN WRITING IN ADVANCE BY OWNER. THIS DOCUMENT SHALL BE RETURNED TO OWNER UPON REQUEST. IT MAY BE SUBJECT TO CERTAIN RESTRICTIONS UNDER APPLICABLE EXPORT CONTROL LAWS AND REGULATIONS.</small>		

TOLERANCES UNLESS OTHERWISE SPECIFIED:			
DEC.	INCH	mm	ANGLE
.X	±0.1	[±2.5]	±0.5°
.XX	±0.03	[±0.76]	
.XXX	±0.005	[±0.127]	
.XXXX	±0.0005	[±0.0127]	
REMOVE BURRS & BREAK SHARP			
EDGES: .003/.015 [0.076/.381] X 45°			
CORNER FILLETS: R.02 [51]			
MACHINED SURFACES: 125/3.2			
mm SHOWN IN [BRACKETS]			

DRAWN BY	A SUPPANAVAR	REGAL™	Regal Beloit America, Inc.
DATE	02/13/2018	DESCRIPTION	
APPROVED BY	PK		
DATE	05/23/2018	OUTLINE 56 FRAME C-FACE-BISSC MOTOR	
REFERENCE	034293		
THIRD ANGLE PROJECTION	SIZE B	MATERIAL	PROCESS/FINISH
DRAWING NUMBER		029068	
SHEET			1 OF 1

4

3

2

1

005010-01

VIEW FROM OUTSIDE OF MOTOR AT SWITCH END.



VOLTAGE	L1	L2	L3	JOIN & INSULATE
HIGH	T1	T2	T3	(T4,T7) (T5,T8) (T6,T9)
LOW	T1,T7	T2,T8	T3,T9	T4,T5,T6

				TOLERANCES UNLESS SPECIFIED		REGAL ™ Regal Beloit America, Inc.		DRAWN RDW 04/12/02		
				DEC.	INCHES			CHK		
				.X	±.1			APPD		
				.XX	±.01			SCALE 1=1		
				.XXX	±.005	TITLE		EXTERNAL WIRING DIAGRAM		
				.XXXX	±.0005	MAT'L.		DECAL - 004014		
				ANG	±1/2°	FINISH		REF FIG.2-51		
A	UPDATED TO REGAL LOGO			SAJ	06/26/15	AJY	.XXXX	±.0005	FMF	
NO.	REVISION			BY & DATE	CHK	ANG	±1/2°	FINISH	PREV	
THIS DRAWING IN DESIGN AND DETAIL IS OUR PROPERTY AND MUST NOT BE USED EXCEPT IN CONNECTION WITH OUR WORK ALL RIGHTS OF DESIGN AND INVENTION ARE RESERVED THIS IS AN ELECTRONICALLY GENERATED DOCUMENT - DO NOT SCALE THIS PRINT				RFP	04/12/02	CAD FILE	00501001	SIZE	DRAWING NO.	REV.
				DIST	BRF-NLV			A	005010-01	A

