

PRODUCT INFORMATION PACKET



Model No: C6T14FB7D

Catalog No: 114307.00

3/4HP .55kW.1425RPM.56.IP54.220/380V.3PH.50HZ.CONT.NOT.40C.1.15SF.RIGID.50
HERTZ.C6T14FB7D
50 Hz



Regal and Leeson are trademarks of Regal Beloit Corporation or one of its affiliated companies.

©2018 Regal Beloit Corporation, All Rights Reserved. MC017097E





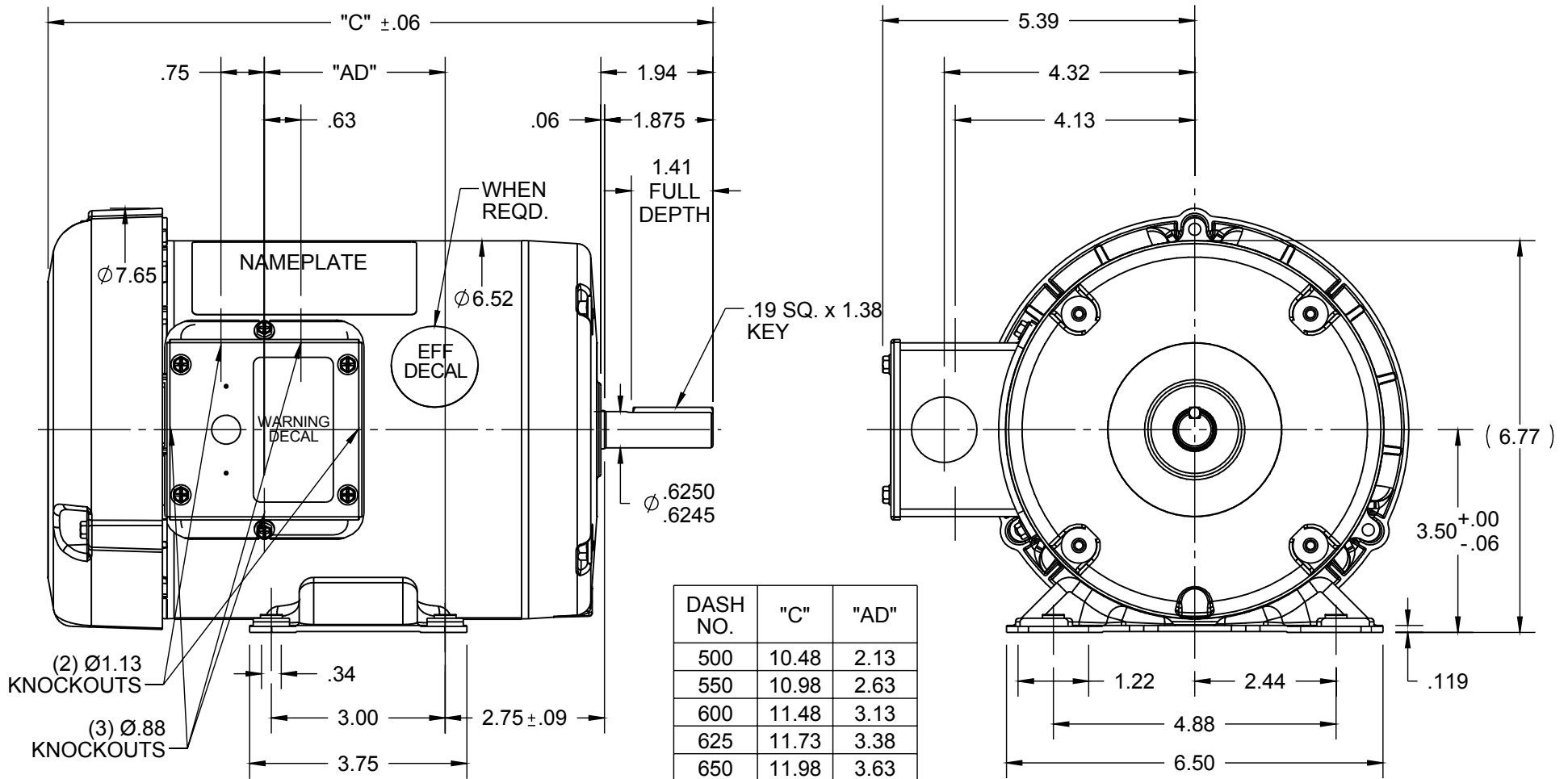
Nameplate Specifications

Output HP	0.75 Hp	Output KW	0.56 kW
Frequency	50 Hz	Voltage	220/380/440 V
Current	3.2/1.9/1.6 A	Speed	1425 rpm
Service Factor	1.15	Phase	3
Efficiency	74 %	Duty	Continuous
Insulation Class	B	Design Code	NO DESIGN CODE
KVA Code	J	Frame	56
Enclosure	Totally Enclosed Fan Cooled	Overload Protector	No
Ambient Temperature	40 °C	Drive End Bearing Size	6203
Opp Drive End Bearing Size	6203	UL	Recognized
CSA	Y	CE	Y
IP Code	54		

Technical Specifications

Electrical Type	Squirrel Cage Induction Run	Starting Method	Across The Line
Poles	4	Rotation	Reversible
Mounting	Rigid base	Motor Orientation	HORIZONTAL
Drive End Bearing	BALL	Opp Drive End Bearing	BALL
Frame Material	Rolled Steel	Shaft Type	NEMA 56
Overall Length	10.98 in	Frame Length	5.50 in
Shaft Diameter	0.625 in	Shaft Extension	1.88 in
Assembly/Box Mounting	F1 ONLY		
Outline Drawing	028781-550	Connection Diagram	005381.01

This is an uncontrolled document once printed or downloaded and is subject to change without notice. Date Created: 10/15/2018



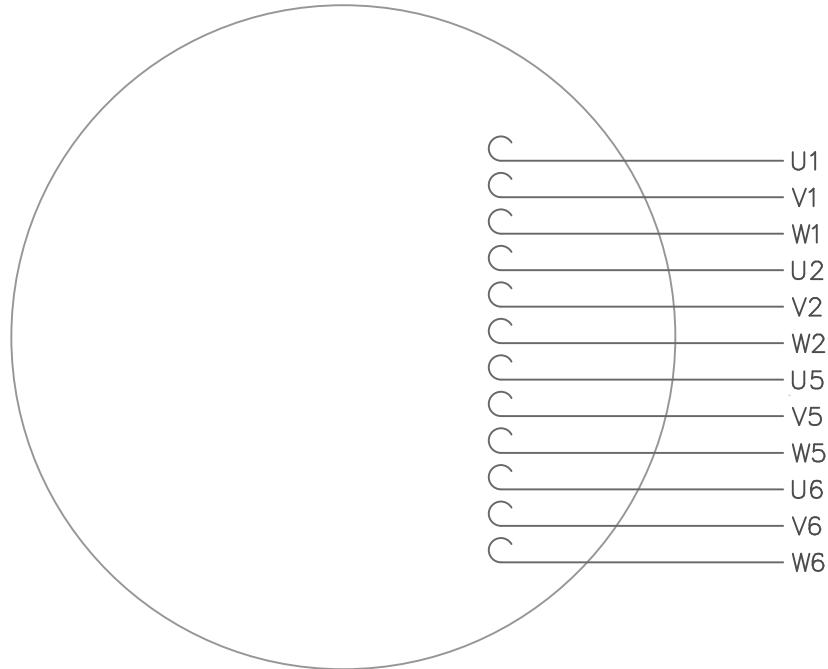
DASH NO.	"C"	"AD"
500	10.48	2.13
550	10.98	2.63
600	11.48	3.13
625	11.73	3.38
650	11.98	3.63
675	12.23	3.88
700	12.48	4.13
750	12.98	4.63

NOTES:
1) GASKETS THROUGHOUT

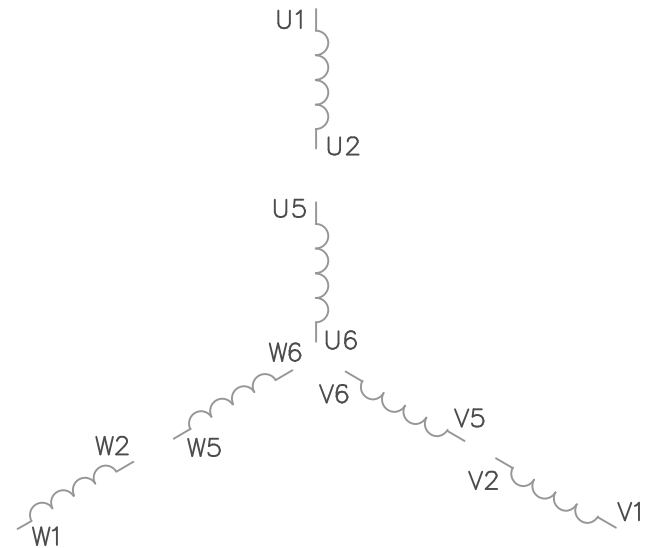
ORACLE
REV
003

DRAWING REVISION E	REVISION BY LK	DATE 11/24/2015	TOLERANCES UNLESS OTHERWISE SPECIFIED: DEC. INCH mm ANGLE .X ±0.1 [±2.5] ±0.5° .XX ±0.03 [±0.76] .XXX ±0.005 [±0.127] .XXXX ±0.0005 [±0.0127]	DRAWN BY KMM	Regal Beloit America, Inc.
ECO ECO-0089388	APPROVED BY GRB	DATE 11/24/2015	REMOVE BURRS & BREAK SHARP EDGES: .003/.015 [.076/.381] X 45° CORNER FILLETS: R.02 [.51] MACHINED SURFACES: 125/3.2 INCH/mm	DATE 08/10/07	
ECO DESCRIPTION ADDED DASH #675 PER NMR-0089703			mm SHOWN IN [BRACKETS]	APPROVED BY	DESCRIPTION OUTLINE 56 FRAME TEFC - RIGID
<small>COPYRIGHT REGAL BELOIT AMERICA, INC. ALL RIGHTS RESERVED. PROPRIETARY AND CONFIDENTIAL INFORMATION - THIS DOCUMENT IS THE PROPERTY OF REGAL BELOIT AMERICA, INC. ("OWNER") AND CONTAINS OWNER'S PROPRIETARY INFORMATION. ANY PERSON, CORPORATION OR OTHER FIRM RECEIVING IT IS DEEMED, BY RECEIVING IT, TO AGREE THAT IT, AND/OR ANY PART OF IT, SHALL NOT BE DISCLOSED TO ANY PERSON, CORPORATION OR OTHER ENTITY, DUPLICATED, AND/OR USED, EXCEPT AS EXPRESSLY APPROVED IN WRITING IN ADVANCE BY OWNER. THIS DOCUMENT SHALL BE RETURNED TO OWNER UPON REQUEST. IT MAY BE SUBJECT TO CERTAIN RESTRICTIONS UNDER APPLICABLE EXPORT CONTROL LAWS AND REGULATIONS.</small>				REFERENCE 600053	MATERIAL
					SHEET 1 OF 1

VIEW FROM OUTSIDE OF MOTOR AT SWITCH END.



LINE LEADS



VOLTAGE	L1	L2	L3	JOIN
(2Δ) LOW	U1,W2 U5,W6	V1,U2 V5,U6	W1,V2 W5,V6	----
(2Y) MEDIUM	U1,U5	V1,V5	W1,W5	(U2,V2,W2) (U6,V6,W6)
(1Δ) HIGH	U1,W6	V1,U6	W1,V6	(U2,U5) (V2,V5) (W2,W5)

TOLERANCES UNLESS OTHERWISE SPECIFIED

DECIMALS

.00 ± .01

.000 ± .005

.0000 ± .0005

FRACTIONS ± 1/64

ANGLES ± 1/2°

INCH/MM

LEESON ELECTRIC CORPORATION

DRAWN GWS 2/23/96

CH'K'D.

APPR.

SCALE 1=1

REF. 005352 PG 3

FMF

TITLE

MAT'L.

FINISH

EXT. WIRING DIAGRAM
TYPE "T" W/O PROTECTOR

DECAL - 080590

STOCK

SIZE

A

DRAWING NO.

005381-01

1 REDRAWN TO CURRENT STANDARDS

NO. REVISION

DBT

BY

05/30/97

DATE

THIS DRAWING IN DESIGN AND DETAIL IS OUR PROPERTY
AND MUST NOT BE USED EXCEPT IN CONNECTION WITH OUR WORK
ALL RIGHTS OF DESIGN AND INVENTION ARE RESERVED



P.O. BOX 8003
WAUSAU, WI 54401-8003
PH. 715-675-3311

DATA VOLTS: 460

CERTIFICATION DATA SHEET

CONN. DIAGRAM: 005381.01
OUTLINE: 028781-550
WINDING: T634218

CAT #: 114307.00

FR 4

TYPICAL MOTOR PERFORMANCE DATA

HP	KW	SYNC RPM	FL RPM	FRAME	ENCLOSURE	TYPE	KVA CODE	DESIGN	
0.75	0.56	1500	1447	56	TEFC	NA	J	NONE	
PH	HZ	VOLTS	AMPS	START TYPE	DUTY	INSL	S.F.	AMB	ELEV.
3	50	220/380	3.15/1.85	ACROSS THE LINE	CONT	B	1.15	40	3300

F.L. EFF	F.L. PF	3/4 LD EFF	73.9	1/2 LD EFF	68.1	GTD EFF	0.0	ELECT. TYPE
75.9	60.6	3/4 LD PF	51.0	1/2 LD PF	39.3			SO CAGE IND RUN

F.L. TORQUE	LR AMPS @ 460 V	L.R. TORQUE	B.D. TORQUE	F.L. RISE (°C)
2.70 LB-FT	10.3	8.7 LB-FT	11.8 LB-FT	437%
				65

PRESSURE @3	POWER	ROTOR WK²	MAX. LOAD WK²	SAFE STALL TIME	STARTS/HOUR	MOTOR WGT
999 DBA	1008 DBA	0.07 LB-FT²	0 LB-FT²	10 SEC.	0	0 LB.

*** SUPPLEMENTAL INFORMATION ***

DE BRACKET TYPE	ODE BRACKET TYPE	MOUNT TYPE	MOTOR ORIENTATION	SEVERE DUTY	HAZARDOUS LOCATION	DRIP COVER	SCREENS	PAINT
STANDARD	STANDARD	RIGID	HORIZONTAL	NO	NONE	NO	NONE	JE - LEESON (ENAM)
BEARINGS	GREASE	SHAFT TYPE	SPECIAL DE	SPECIAL ODE	SHAFT	MATERIAL	FRAME MATERIAL	
BALL BALL 6203	POLYREX EM	STANDARD 56	NONE	NONE	1144 STRESSPROOF (C-223)		ROLLED STEEL	

THERMOSTATS	PROTECTORS	WDG RTD's	BRG RTD's	THERMISTORS	CONTROL	SPACE HEATERS
NONE	NOT	NONE	NONE	NONE	FALSE	NA
R1 (ohms/ph)	R2 (ohms/ph)	X1 (ohms/ph)	X2 (ohms/ph)	Xm (ohms/ph)	VIBRATION (in/sec)	FLOAT
0	0	0	0	0	0.080	ODE

* NOT TESTED		INVERTER TORQUE: NONE	
		INV. HP SPEED RANGE: NONE	
		ENCODER: NONE	
		BRAKE: NONE	
		FT-LB: NA	
		VOLTAGE: NONE	
		HZ: NONE	

DATE: 1/18/2018	UL: Y-(LEESON UL REC)
-----------------	-----------------------



Motor Load Data

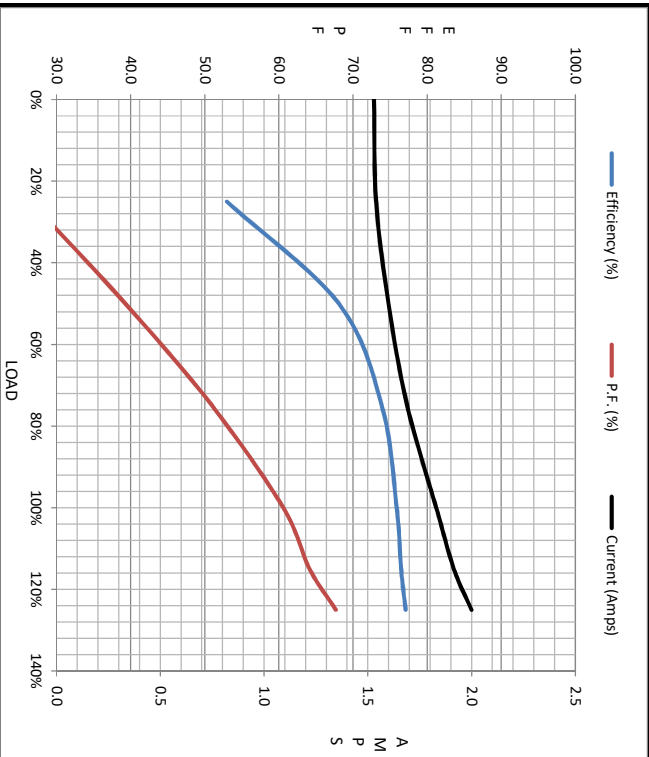
Load	0%	25%	50%	75%	100%	115%	125%	LR
Current (Amps)	1.53	1.54	1.60	1.69	1.83	1.92	2.00	10.3
Torque (ft-lb)	0.00	0.68	1.35	2.03	2.70	3.0	3.4	8.7
RPM	1500	1486	1473	1461	1447	1441	1433	0
P.F. (%)	13.6	53.0	68.1	73.9	75.9	76.5	77.1	0.0
		26.5	39.3	51.0	60.6	64.2	67.7	0.0

Motor Speed Data

	LR	Pull-Up	BD	Rated	Idle
Speed (RPM)	0	200	800	1447	1500
Current (Amps)	10.3	5.3	7.2	1.83	1.53
Torque (ft-lb)	8.7	10.8	11.8	2.70	0.00

Information Block

HP	0.8			
Sync. RPM	1500			
Frame	140			
Enclosure	TEFC			
Construction	NA			
Voltage	220/380 V			
Frequency	50 Hz			
Design	B			
LR Code letter	J			
Service Factor	1.15			
Temp Rise @ FL	65 °C			
Duty	CONT			
Ambient	40 °C			
Elevation	1,000 feet			
Rotor/Shaft wk ²	0.07 LB-Ft ²			
Ref Wdg	T634218 FR			
Sound Pressure @ 1M	999 dBA			
VFD Rating	NONE			
Outline Dwg	028781-550			
Conn. Diag	005381.01			
Additional Specifications:				
0				
EQUIV CKT (OHMS / PHASE)				
R1	R2	X1	X2	Xm
0.0000	0.0000	0.0000	0.0000	0.0000



Speed - Torque Curve

