

PRODUCT INFORMATION PACKET



Model No: C6C14DR19D

Catalog No: 114225.00

1/2HP..37kW.1425RPM.56H.IP22./V.1PH.50HZ.CONT.NOT.40C.1.25SF.RESIL.50 HERTZ.C6C14DR19D
50 Hz



Regal and Leeson are trademarks of Regal Beloit Corporation or one of its affiliated companies.

©2018 Regal Beloit Corporation, All Rights Reserved. MC017097E





Nameplate Specifications

Output HP	0.50 Hp	Output KW	0.37 kW
Frequency	50 Hz	Voltage	110/220 V
Current	8.2/4.1 A	Speed	1425 rpm
Service Factor	1.25	Phase	1
Efficiency	69 %	Duty	Continuous
Insulation Class	B	Design Code	NO DESIGN CODE
KVA Code	K	Frame	D56H
Enclosure	Drip Proof	Overload Protector	No
Ambient Temperature	40 °C	Drive End Bearing Size	6203
Opp Drive End Bearing Size	6203	UL	Recognized
CSA	Y	CE	Y
IP Code	22		

Technical Specifications

Electrical Type	Capacitor Start Induction Run	Starting Method	Across The Line
Poles	4	Rotation	Selective Counterclockwise
Mounting	Resilient Base	Motor Orientation	HORIZONTAL
Drive End Bearing	BALL	Opp Drive End Bearing	BALL
Frame Material	Rolled Steel	Shaft Type	NEMA 56
Overall Length	11.31 in	Frame Length	5.50 in
Shaft Diameter	0.625 in	Shaft Extension	1.88 in
Assembly/Box Mounting	F1 ONLY		
Outline Drawing	032510-D56	Connection Diagram	005390.01

This is an uncontrolled document once printed or downloaded and is subject to change without notice. Date Created: 10/15/2018

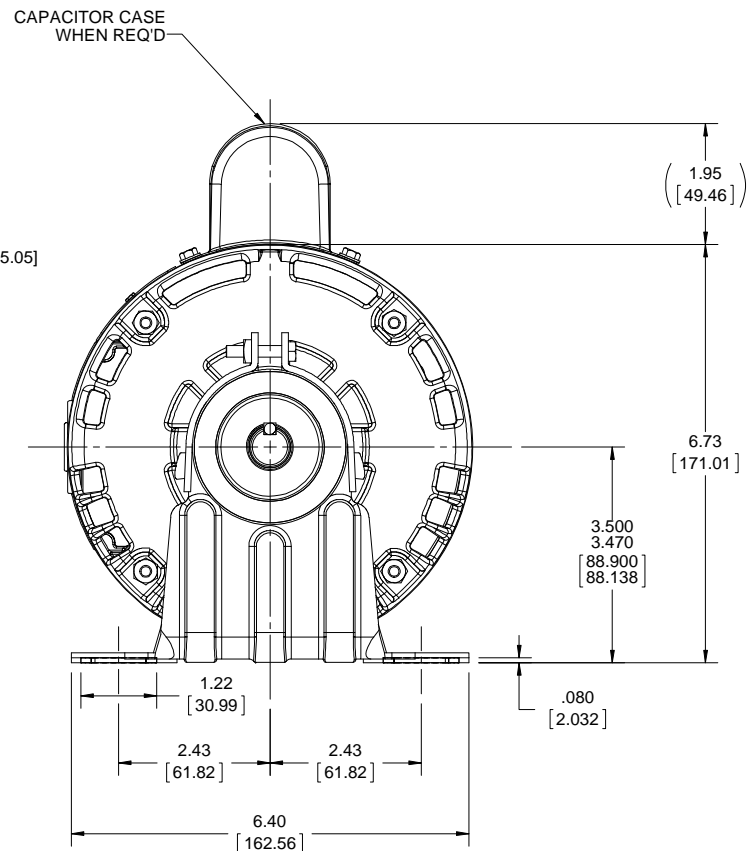
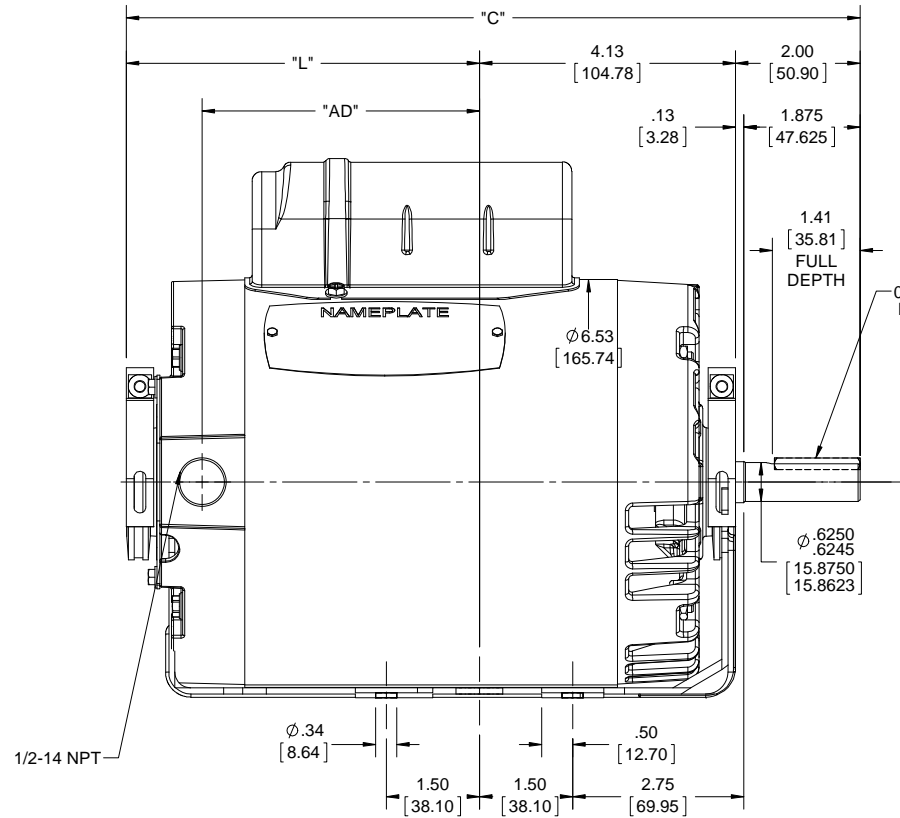
4

3

Uncontrolled Copy

2

1



FRAME	"C"	"L"	"AD"
C56	10.81 [274.57]	4.69 [119.12]	3.47 [88.13]
D56	11.31 [287.27]	5.19 [131.82]	3.97 [100.83]
E56	11.81 [299.97]	5.69 [144.52]	4.47 [113.53]
F56	12.31 [312.67]	6.19 [157.22]	4.97 [126.23]
G56	12.81 [325.37]	6.69 [169.92]	5.47 [138.93]
H56	13.31 [338.07]	7.19 [182.62]	5.97 [151.63]
J56	13.81 [350.77]	7.69 [195.32]	6.47 [164.33]

DRAWING REVISION C	REVISION BY H. ADIKE	DATE 2-14-2018
ECO ECO-0143018	APPROVED BY PK	DATE 4-10-2018
ECO DESCRIPTION OUTLINE CONVERSION PROJECT		
<small>COPYRIGHT REGAL BELOIT AMERICA, INC. ALL RIGHTS RESERVED. PROPRIETARY AND CONFIDENTIAL INFORMATION - THIS DOCUMENT IS THE PROPERTY OF REGAL BELOIT AMERICA, INC. ("OWNER") AND CONTAINS OWNER'S PROPRIETARY INFORMATION. ANY PERSON, CORPORATION OR OTHER FIRM RECEIVING IT IS DEEMED, BY RECEIVING IT, TO AGREE THAT IT, AND/OR ANY PART OF IT, SHALL NOT BE DISCLOSED TO ANY PERSON, CORPORATION OR OTHER ENTITY, DUPLICATED, AND/OR USED, EXCEPT AS EXPRESSLY APPROVED IN WRITING IN ADVANCE BY OWNER. THIS DOCUMENT SHALL BE RETURNED TO OWNER UPON REQUEST. IT MAY BE SUBJECT TO CERTAIN RESTRICTIONS UNDER APPLICABLE EXPORT CONTROL LAWS AND REGULATIONS.</small>		

TOLERANCES UNLESS OTHERWISE SPECIFIED:			
DEC.	INCH	mm	ANGLE
.X	±0.1	[±2.5]	±7-30°
.XX	±0.03	[±0.76]	
.XXX	±0.005	[±0.127]	
.XXXX	±0.0005	[±0.0127]	
REMOVE BURRS & BREAK SHARP			
EDGES: .003/.015 [0.076/.381] X 45°			
CORNER FILLETS: R.02 [51]			
MACHINED SURFACES: 200			
INCH mm 5.1			
mm SHOWN IN [BRACKETS]			

DRAWN BY ADH
DATE 10-25-1973
APPROVED BY
DATE
REFERENCE 032510
THIRD ANGLE PROJECTION

Regal Beloit America, Inc.	
DESCRIPTION OUTLINE 56 FRAME OPEN DRIP PROOF - RESIL. BASE	
MATERIAL	PROCESS/FINISH
SIZE B	DRAWING NUMBER 032510
SHEET 1 OF 1	

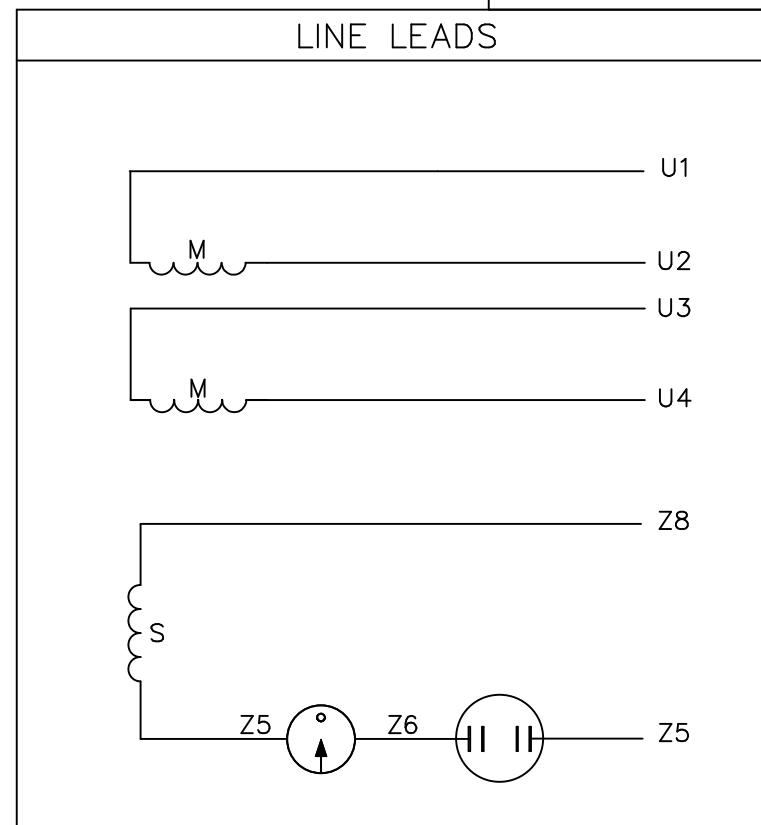
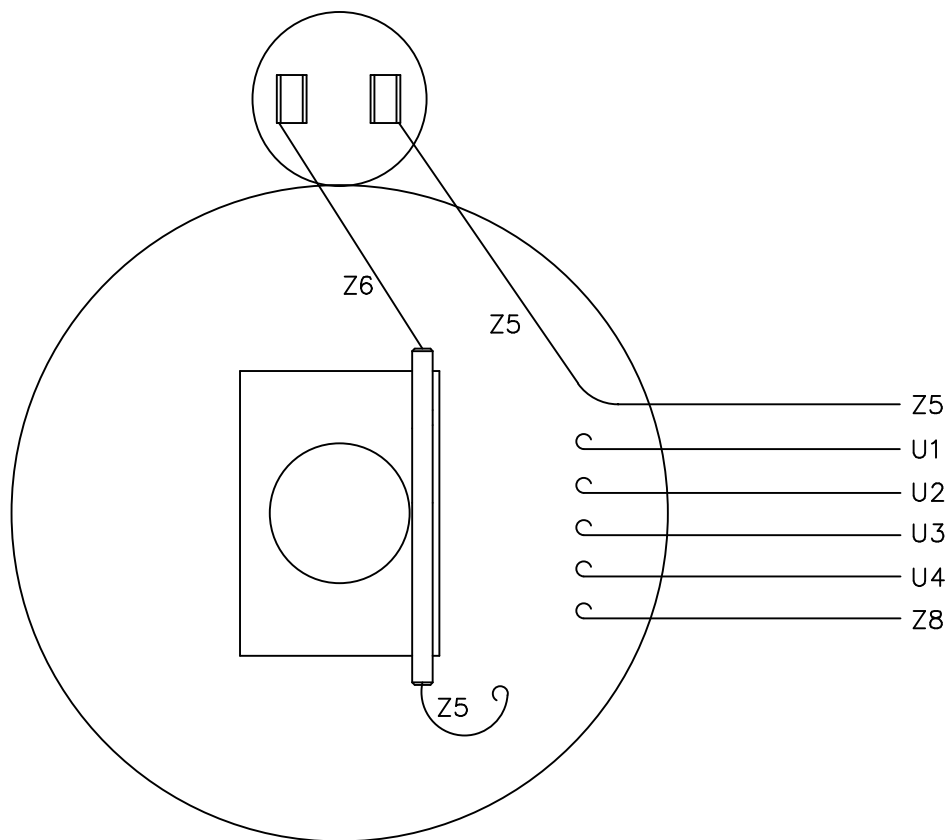
4

3

2

1

VIEW FROM OUTSIDE OF MOTOR AT SWITCH END.



	ROTATION FACING LEAD END	L1	L2	JOIN
HIGH VOLT	C.C.W.	U1	U4 Z5	U2,U3 Z8
	C.W.	U1	U4 Z8	U2,U3 Z5
LOW VOLT	C.C.W.	U1,U3 Z8	U2,U4 Z5	---
	C.W.	U1,U3 Z5	U2,U4 Z8	---

NO.	REVISION	BY & DATE	CHK	TOLERANCES UNLESS SPECIFIED	
				DEC.	INCHES
				.X	±.1
				.XX	±.01
				.XXX	±.005
				.XXXX	±.0005
				ANG	±1/2°



ELECTRIC MOTORS
GEARMOTORS
AND DRIVES

DRAWN	RSK 09/09/96
CHK	
APPD	
SCALE	1=1
REF	005005-01
FMF	114964.00
PREV	

TITLE	EXTERNAL WIRING DIAGRAM TYPE "C" W/O PROTECTOR
MAT'L.	DECAL - 080642
FINISH	LEESON CANADA
CAD FILE	00539001
SIZE	A
DRAWING NO.	005390-01

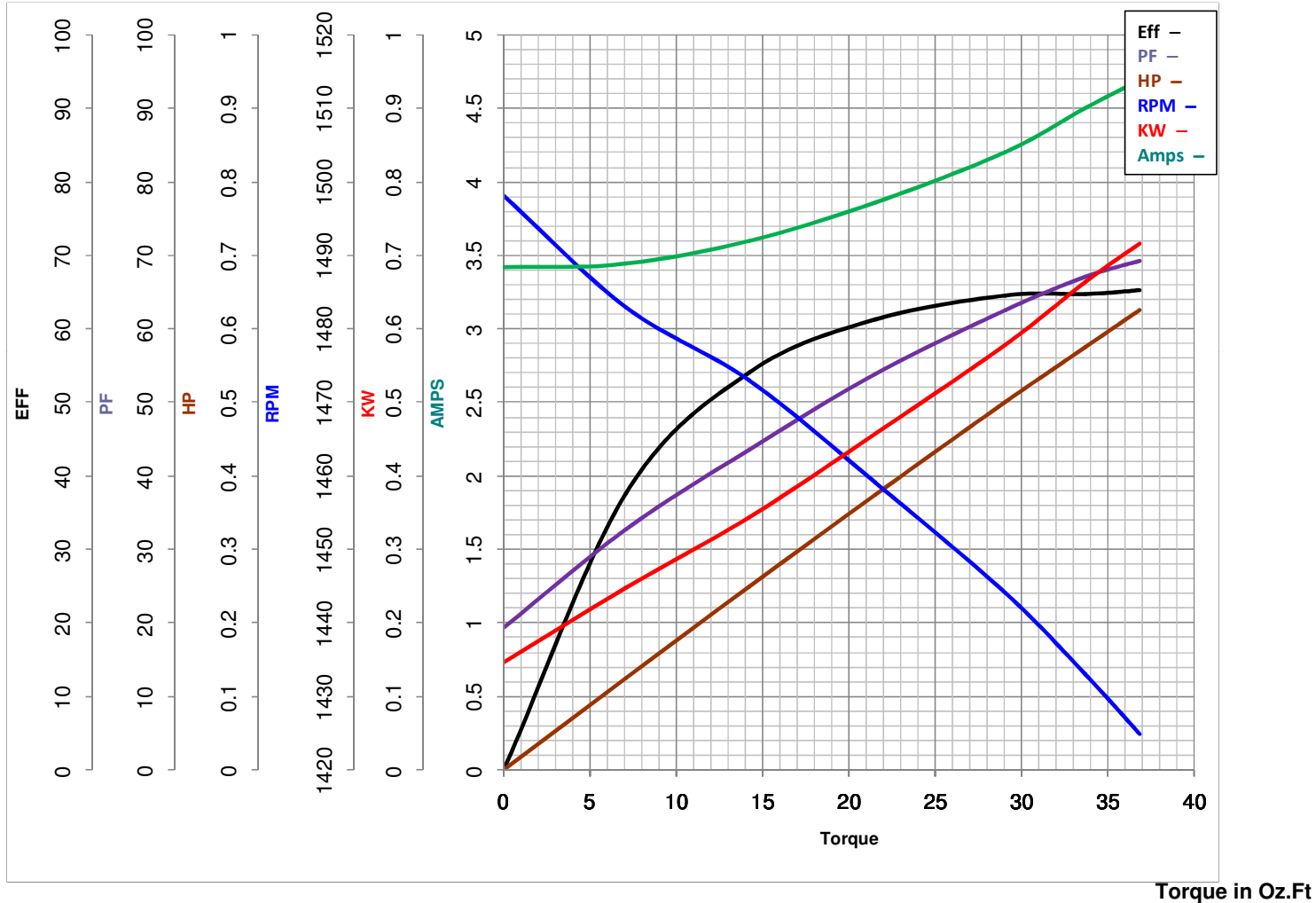


LEESON ELECTRIC CORPORATION
TYPICAL PERFORMANCE CURVE for AC MOTOR

Model No 114225.00

Catalog No 114225.00

Curve at 220 Volts HP 0.50 PHASE 1
50 HZ
0.5 HP VOLTS 110/220
HZ 50 RPM 1425



FL TORQUE	<u>29.1</u>	Oz.Ft	FL AMPS	<u>8.2/4.1</u>	
BD TORQUE	<u>76.0</u>	Oz.Ft	PU TORQUE	<u>61.0</u>	Oz.Ft
LR TORQUE	<u>94</u>	Oz.Ft	LR AMPS	<u>20.91</u>	
WINDING	C634268-4		Date	4/12/2018	