

# PRODUCT INFORMATION PACKET



Model No: C6C28DR2 D

Catalog No: 114224.00

1/2HP..37kW.2850RPM.56H.IP22.110/220V.1PH.50HZ.CONT.NOT.40C.1.25SF.RESIL.50  
HERTZ.C6C28DR2D  
50 Hz



Regal and Leeson are trademarks of Regal Beloit Corporation or one of its affiliated companies.

©2018 Regal Beloit Corporation, All Rights Reserved. MC017097E





### Nameplate Specifications

Output HP	<b>0.50 Hp</b>	Output KW	<b>0.37 kW</b>
Frequency	<b>50 Hz</b>	Voltage	<b>110/220 V</b>
Current	<b>7.6/3.8 A</b>	Speed	<b>2850 rpm</b>
Service Factor	<b>1.25</b>	Phase	<b>1</b>
Efficiency	<b>70 %</b>	Duty	<b>Continuous</b>
Insulation Class	<b>B</b>	Design Code	<b>L</b>
KVA Code	<b>K</b>	Frame	<b>56H</b>
Enclosure	<b>Drip Proof</b>	Overload Protector	<b>No</b>
Ambient Temperature	<b>40 °C</b>	Drive End Bearing Size	<b>6203</b>
Opp Drive End Bearing Size	<b>6203</b>	UL	<b>Recognized</b>
CSA	<b>Y</b>	CE	<b>Y</b>
IP Code	<b>22</b>		

### Technical Specifications

Electrical Type	<b>Capacitor Start Induction Run</b>	Starting Method	<b>Across The Line</b>
Poles	<b>2</b>	Rotation	<b>Selective Counterclockwise</b>
Mounting	<b>Resilient Base</b>	Motor Orientation	<b>HORIZONTAL</b>
Drive End Bearing	<b>BALL</b>	Opp Drive End Bearing	<b>BALL</b>
Frame Material	<b>Rolled Steel</b>	Shaft Type	<b>NEMA 56</b>
Overall Length	<b>11.32 in</b>	Frame Length	<b>5.50 in</b>
Shaft Diameter	<b>0.625 in</b>	Shaft Extension	<b>1.88 in</b>
Assembly/Box Mounting	<b>F1 ONLY</b>		
Outline Drawing	<b>028619-550A</b>	Connection Diagram	<b>005390.01</b>

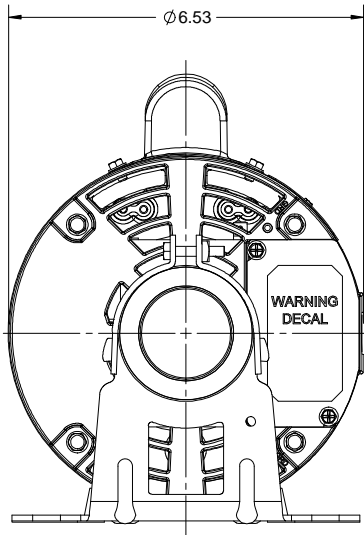
**This is an uncontrolled document once printed or downloaded and is subject to change without notice. Date Created: 10/15/2018**

4

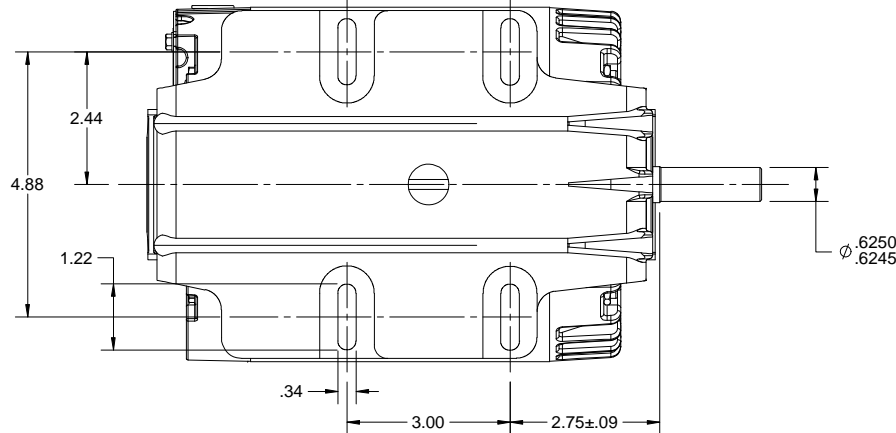
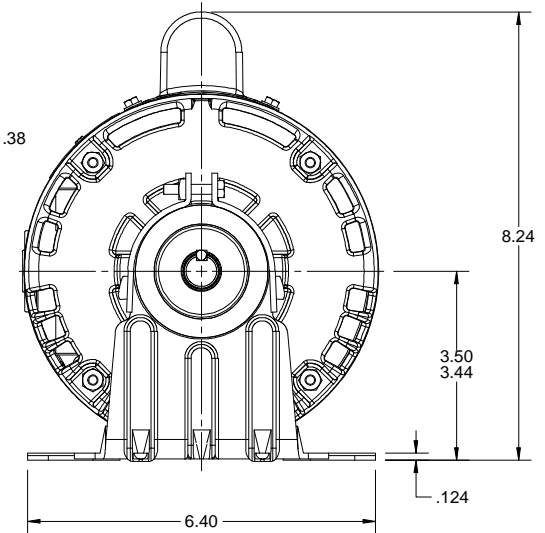
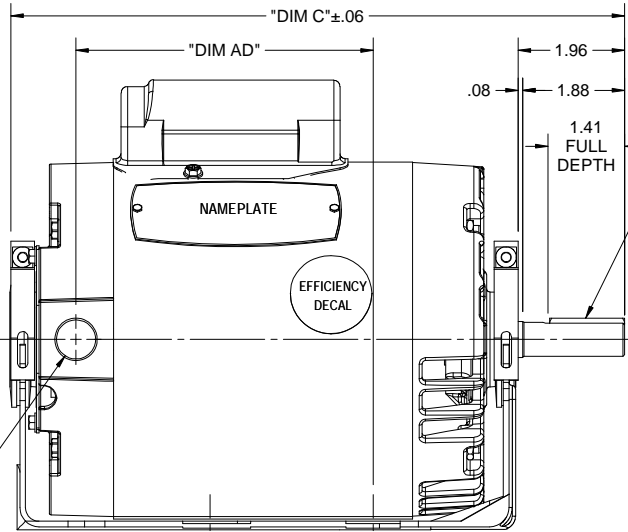
3

2

1



1/2-14 NPT PLUGGED



DASH NO.	"DIM C"	"DIM AD"
500	10.79	4.97
550	11.29	5.47
600	11.79	5.97
650	12.29	6.47

DRAWING REVISION A	REVISION BY P. GASSER	DATE
ECO ECO-0128249	APPROVED BY	DATE
ECO DESCRIPTION <b>REDRAWN IN SOLIDWORKS</b>		
<small>COPYRIGHT REGAL BELOIT AMERICA, INC. ALL RIGHTS RESERVED.                  PROPRIETARY AND CONFIDENTIAL INFORMATION - THIS DOCUMENT IS THE PROPERTY OF                  REGAL BELOIT AMERICA, INC. (OWNER) AND CONTAINS OWNER'S PROPRIETARY                  INFORMATION. ANY PERSON, CORPORATION OR OTHER FIRM RECEIVING IT IS DEEMED,                  BY RECEIVING IT, TO AGREE THAT IT, AND/OR ANY PART OF IT, SHALL NOT BE DISCLOSED                  TO ANY PERSON, CORPORATION OR OTHER ENTITY, DUPLICATED, AND/OR USED, EXCEPT                  AS EXPRESSLY APPROVED IN WRITING IN ADVANCE BY OWNER. THIS DOCUMENT SHALL                  BE RETURNED TO OWNER UPON REQUEST. IT MAY BE SUBJECT TO CERTAIN                  RESTRICTIONS UNDER APPLICABLE EXPORT CONTROL LAWS AND REGULATIONS.</small>		

TOLERANCES UNLESS OTHERWISE SPECIFIED:			
DEC.	INCH	mm	ANGLE
.X	±0.1	[±2.5]	±0.5°
.XX	±0.03	[±0.76]	
.XXX	±0.005	[±0.127]	
.XXXX	±0.0005	[±0.0127]	
REMOVE BURRS & BREAK SHARP			
EDGES: .003/.015 [.076/.381] X 45°			
CORNER FILLETS: R.02 [.51]			
MACHINED SURFACES: 125/3.2			
mm SHOWN IN [BRACKETS]			

DRAWN BY R. WEBER	DATE 07/28/04
APPROVED BY	DATE
REFERENCE	THIRD ANGLE PROJECTION

Regal Beloit America, Inc.	
DESCRIPTION <b>OUTLINE</b> 56-FRAME, DRIP PROOF, RESILIENT MOUNT	
MATERIAL	PROCESS/FINISH
SIZE B	DRAWING NUMBER 028619
	SHEET 1 OF 1

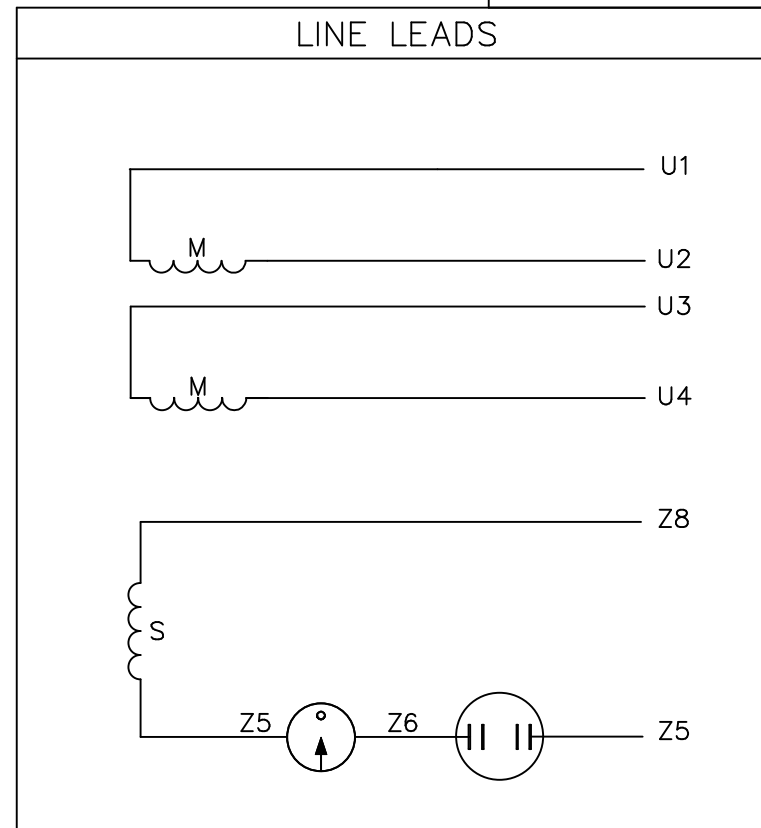
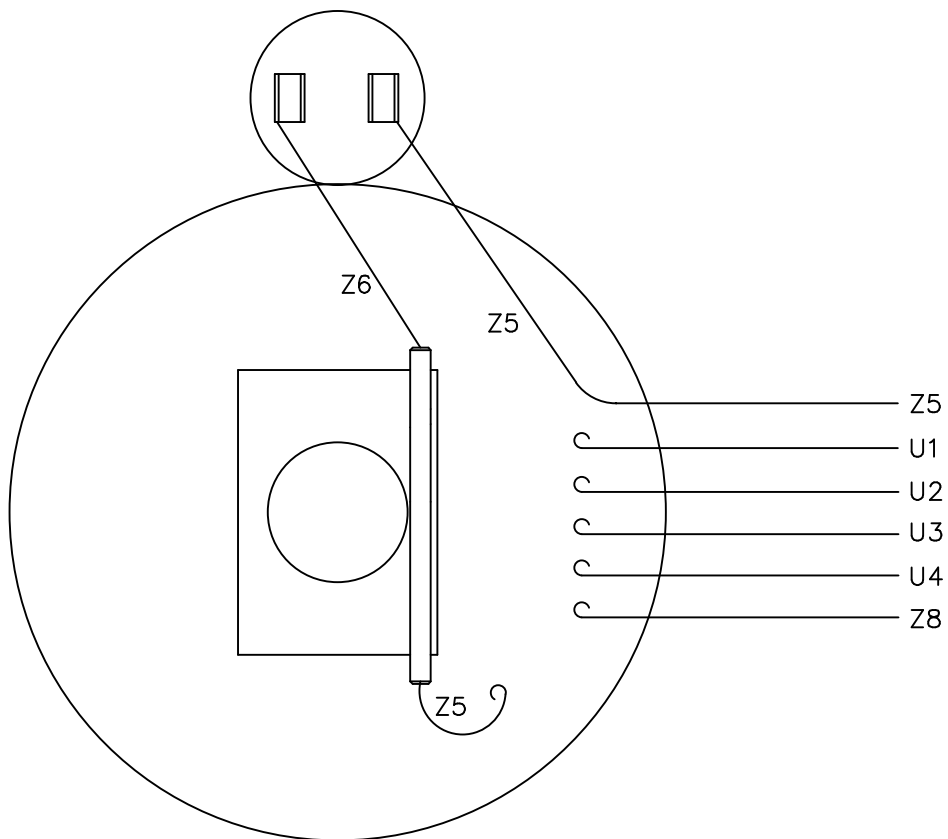
4

3

2

1

VIEW FROM OUTSIDE OF MOTOR AT SWITCH END.



	ROTATION FACING LEAD END	L1	L2	JOIN
HIGH VOLT	C.C.W.	U1	U4 Z5	U2,U3 Z8
	C.W.	U1	U4 Z8	U2,U3 Z5
LOW VOLT	C.C.W.	U1,U3 Z8	U2,U4 Z5	---
	C.W.	U1,U3 Z5	U2,U4 Z8	---

NO.	REVISION	BY & DATE	CHK	TOLERANCES UNLESS SPECIFIED	
				DEC.	INCHES
				.X	±.1
				.XX	±.01
				.XXX	±.005
				.XXXX	±.0005
				ANG	±1/2°



ELECTRIC MOTORS  
GEARMOTORS  
AND DRIVES

DRAWN	RSK 09/09/96
CHK	
APPD	
SCALE	1=1
REF	005005-01
FMF	114964.00
PREV	

TITLE	EXTERNAL WIRING DIAGRAM TYPE "C" W/O PROTECTOR
MAT'L.	DECAL - 080642
FINISH	LEESON CANADA
CAD FILE	00539001
SIZE	A
DRAWING NO.	005390-01

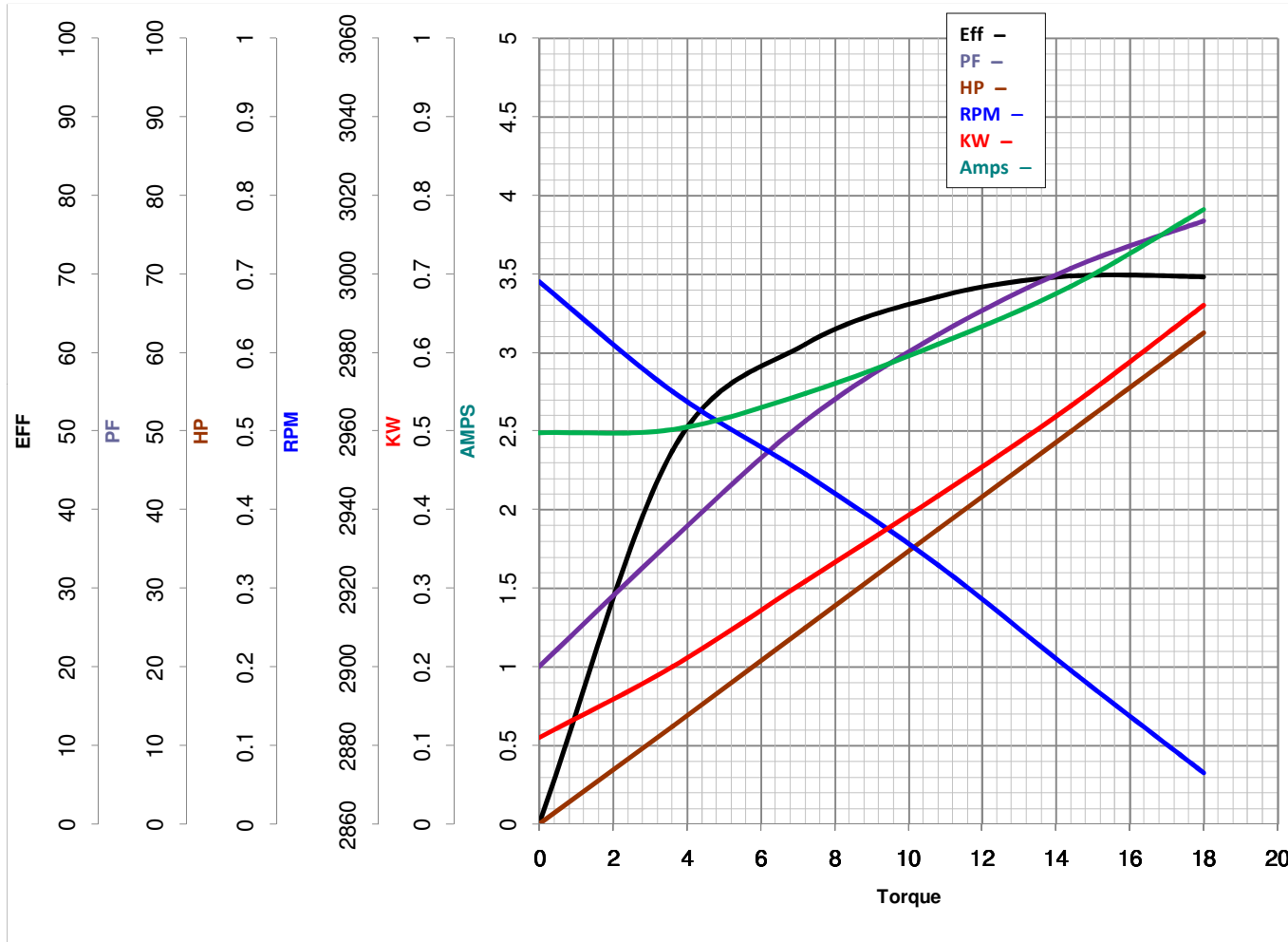


**LEESON ELECTRIC CORPORATION**  
TYPICAL PERFORMANCE CURVE for AC MOTOR

Model No 114224.00

Catalog No 114224.00

Curve at 220 Volts      HP 0.50      PHASE 1  
50 HZ  
0.5 HP      VOLTS 110/220  
   HZ 50      RPM 2850



Torque in Oz.Ft

FL TORQUE 14.4 Oz.Ft  
 BD TORQUE 45.0 Oz.Ft  
 LR TORQUE 50 Oz.Ft

FL AMPS 7.6/3.8  
 PU TORQUE 36.0 Oz.Ft  
 LR AMPS 19.6

WINDING C632229-4

Date 3/27/2018