

# PRODUCT INFORMATION PACKET



Model No: C6T34FC38D

Catalog No: 114207.00

1HP..3450RPM.56.TEFC.230/460V.3PH.60HZ.CONT.NOT.40C.1.15SF.C FACE.JET PUMP.C6T34FC38D  
Jet Pump



Regal and Leeson are trademarks of Regal Beloit Corporation or one of its affiliated companies.

©2018 Regal Beloit Corporation, All Rights Reserved. MC017097E





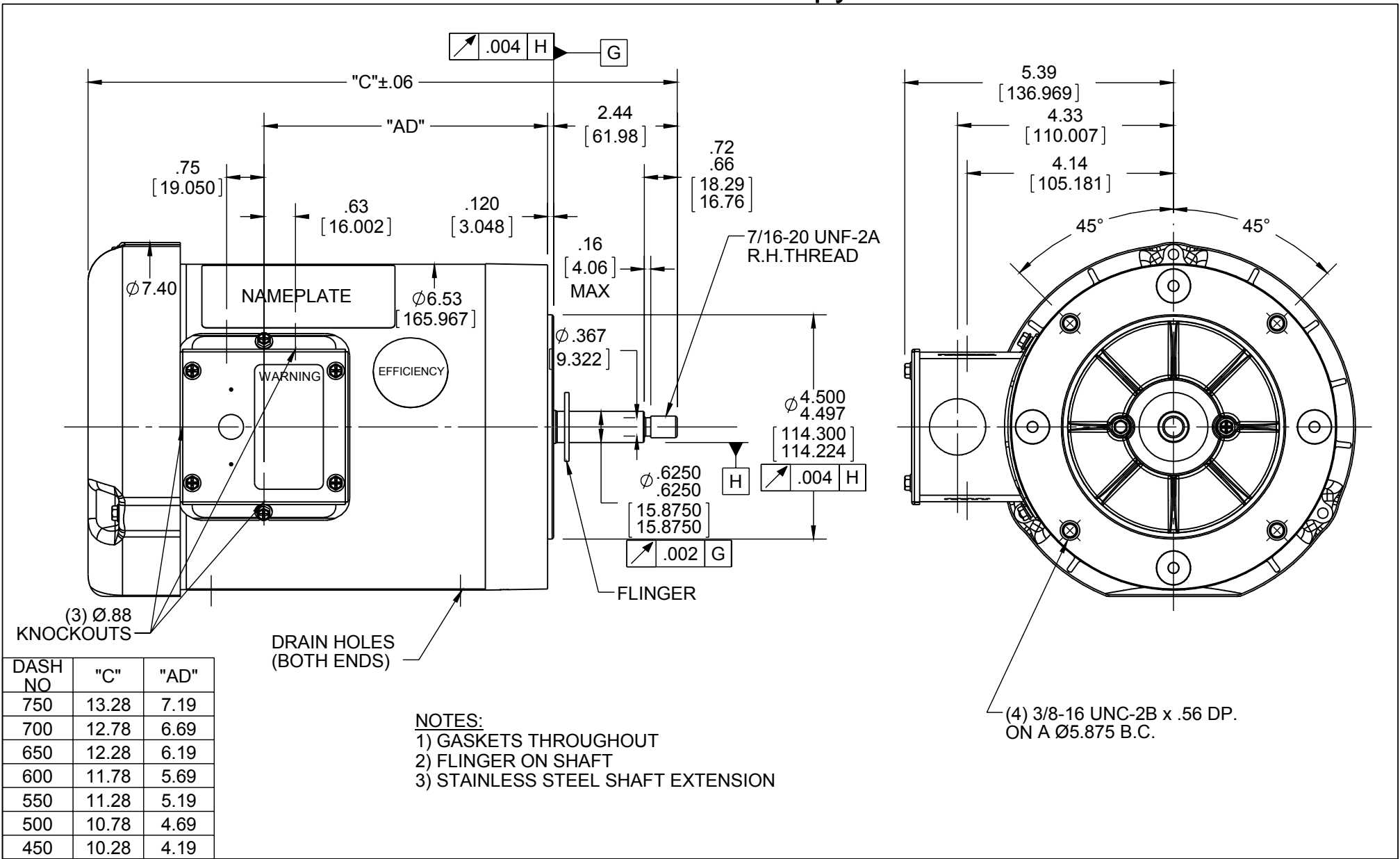
### Nameplate Specifications

Output HP	1 Hp	Output KW	0.75 kW
Frequency	60 Hz	Voltage	230/460 V
Current	3.2/1.6 A	Speed	3450 rpm
Service Factor	1.15	Phase	3
Efficiency	77 %	Duty	Continuous
Insulation Class	B	Design Code	B
KVA Code	J	Frame	56J
Enclosure	Totally Enclosed Fan Cooled	Overload Protector	No
Ambient Temperature	40 °C	Drive End Bearing Size	6203
Opp Drive End Bearing Size	6203	UL	Recognized
CSA	Y	CE	N
IP Code	43		

### Technical Specifications

Electrical Type	Squirrel Cage Induction Run	Starting Method	Across The Line
Poles	2	Rotation	Reversible
Mounting	Round	Motor Orientation	HORIZONTAL
Drive End Bearing	BALL	Opp Drive End Bearing	BALL
Frame Material	Rolled Steel	Shaft Type	J
Overall Length	10.78 in	Frame Length	5.00 in
Shaft Diameter	0.625 in	Shaft Extension	2.44 in
Assembly/Box Mounting	F1 ONLY		
Outline Drawing	028841-500	Connection Diagram	005010.01

This is an uncontrolled document once printed or downloaded and is subject to change without notice. Date Created: 10/15/2018



(3) Ø.88 KNOCKOUTS

DRAIN HOLES (BOTH ENDS)

DASH NO	"C"	"AD"
750	13.28	7.19
700	12.78	6.69
650	12.28	6.19
600	11.78	5.69
550	11.28	5.19
500	10.78	4.69
450	10.28	4.19

- NOTES:**
- 1) GASKETS THROUGHOUT
  - 2) FLINGER ON SHAFT
  - 3) STAINLESS STEEL SHAFT EXTENSION

(4) 3/8-16 UNC-2B x .56 DP.  
ON A Ø5.875 B.C.

DRAWING REVISION <b>D</b>		REVISION BY <b>CHRIS FISHER</b>	DATE <b>8/18/2015</b>	TOLERANCES UNLESS OTHERWISE SPECIFIED:		DRAWN BY <b>GRB</b>		<b>Regal Beloit America, Inc.</b>			
ECO <b>ECO-0079536</b>		APPROVED BY	DATE	DEC.	INCH	mm	ANGLE			DATE <b>7/02/2008</b>	
ECO DESCRIPTION <b>ADDED ITEM #750</b>				.X	±0.1	[±2.5]	±0.5°	APPROVED BY	DESCRIPTION <b>OUTLINE</b> T.E.F.C. - "C" FACE		
COPYRIGHT REGAL BELOIT AMERICA, INC. ALL RIGHTS RESERVED. PROPRIETARY AND CONFIDENTIAL INFORMATION - THIS DOCUMENT IS THE PROPERTY OF REGAL BELOIT AMERICA, INC. ("OWNER") AND CONTAINS OWNER'S PROPRIETARY INFORMATION. ANY PERSON, CORPORATION OR OTHER FIRM RECEIVING IT IS DEEMED, BY RECEIVING IT, TO AGREE THAT IT, AND/OR ANY PART OF IT, SHALL NOT BE DISCLOSED TO ANY PERSON, CORPORATION OR OTHER ENTITY, DUPLICATED, AND/OR USED, EXCEPT AS EXPRESSLY APPROVED IN WRITING IN ADVANCE BY OWNER. THIS DOCUMENT SHALL BE RETURNED TO OWNER UPON REQUEST. IT MAY BE SUBJECT TO CERTAIN RESTRICTIONS UNDER APPLICABLE EXPORT CONTROL LAWS AND REGULATIONS.				.XX	±0.01	[±0.25]		DATE			
				.XXX	±0.005	[±0.127]		REFERENCE	MATERIAL <b>JET PUMP</b>	PROCESS/FINISH	
				.XXXX	±0.0005	[±0.0127]		THIRD ANGLE PROJECTION	SIZE <b>A</b>	DRAWING NUMBER <b>028841</b>	SHEET <b>1 OF 1</b>
				REMOVE BURRS & BREAK SHARP EDGES: .003/.015 [0.076/.381] X 45° CORNER FILLETS: R.02 [51] MACHINED SURFACES: 125/3.2 INCH/mm							
				mm SHOWN IN [BRACKETS]							

005010-01

VIEW FROM OUTSIDE OF MOTOR AT SWITCH END.



VOLTAGE	L1	L2	L3	JOIN & INSULATE
HIGH	T1	T2	T3	(T4,T7) (T5,T8) (T6,T9)
LOW	T1,T7	T2,T8	T3,T9	T4,T5,T6

				TOLERANCES UNLESS SPECIFIED		<b>REGAL</b> ™ <b>Regal Beloit America, Inc.</b>		DRAWN RDW 04/12/02			
				DEC.	INCHES			CHK			
				.X	±.1			APPD			
				.XX	±.01			SCALE 1=1			
				.XXX	±.005	TITLE		REF FIG.2-51			
A	UPDATED TO REGAL LOGO	SAJ 06/26/15	AJY	.XXXX	±.0005	MAT'L.		FMF			
NO.	REVISION	BY & DATE	CHK	ANG	±1/2"	FINISH		PREV			
THIS DRAWING IN DESIGN AND DETAIL IS OUR PROPERTY AND MUST NOT BE USED EXCEPT IN CONNECTION WITH OUR WORK ALL RIGHTS OF DESIGN AND INVENTION ARE RESERVED THIS IS AN ELECTRONICALLY GENERATED DOCUMENT - DO NOT SCALE THIS PRINT				RFP	04/12/02	CAD FILE		00501001	SIZE	DRAWING NO.	REV.
				DIST	BRF-NLV			A	005010-01	A	



P.O. BOX 8003  
WAUSAU, WI 54401-8003  
PH. 715-675-3311

DATA VOLTS: 460

CERTIFICATION DATA SHEET

CONN. DIAGRAM: 005010.01  
OUTLINE: 028841-500  
WINDING: T632161

CAT #: 114207.00

FR 3

TYPICAL MOTOR PERFORMANCE DATA

HP	KW	SYNC RPM	FL RPM	FRAME	ENCLOSURE	TYPE	KVA CODE	DESIGN	
1	0.75	3600	3460	56J	TEFC	TFR	J	B	
PH	HZ	VOLTS	AMPS	START TYPE	DUTY	INSL	S.F.	AMB	ELEV.
3	60/50	230/460#190/380	3.1/1.55&2.8/1.4	ACROSS THE LINE	CONT	B	1.15	40	3300

F.L. EFF	F.L. PF	3/4 LD EFF	7/5.2	1/2 LD EFF	69.5	GTD EFF	ELECT. TYPE
77.1	80.0	3/4 LD PF	74.3	1/2 LD PF	62.6	0.0	SO CAGE IND RUN

F.L. TORQUE	LR AMPS @ 460 V	L.R. TORQUE	B.D. TORQUE	F.L. RISE (°C)
1.55 LB-FT	10.0	3.6 LB-FT	232%	5.0 LB-FT
				323%
				53

PRESSURE @ 3	POWER	ROTOR WK²	MAX LOAD WK²	SAFE STALL TIME	STARTS/HOUR	MOTOR WGT
0 DBA	9 DBA	0.03 LB-FT²	0 LB-FT²	0 SEC.	0	0 LB.

\*\*\* SUPPLEMENTAL INFORMATION \*\*\*

DE BRACKET TYPE	ODE BRACKET TYPE	MOUNT TYPE	MOTOR ORIENTATION	SEVERE DUTY	HAZARDOUS LOCATION	DRIP COVER	SCREENS	PAINT
C-FACE	STANDARD	ROUND	HORIZONTAL	NO	NONE	NO	NONE	JE-LEESON/ENAM

BEARINGS	GREASE	SHAFT TYPE	SPECIAL DE	SPECIAL ODE	SHAFT MATERIAL	FRAME MATERIAL
DE BALL 6203	POLYREX EM	JET PUMP	NONE	NONE	303 STAINLESS (C-501)	ROLLED STEEL

THERMOSTATS	PROTECTORS	WDG RTD's	BRG RTD's	THERMISTORS	CONTROL	SPACE HEATERS
NONE	NOT	NONE	NONE	NONE	FALSE	NA

R1 (ohms/ph)	R2 (ohms/ph)	X1 (ohms/ph)	X2 (ohms/ph)	Xm (ohms/ph)	VIBRATION (in/sec)	FLOAT ODE
0	0	0	0	0	0.150	ODE

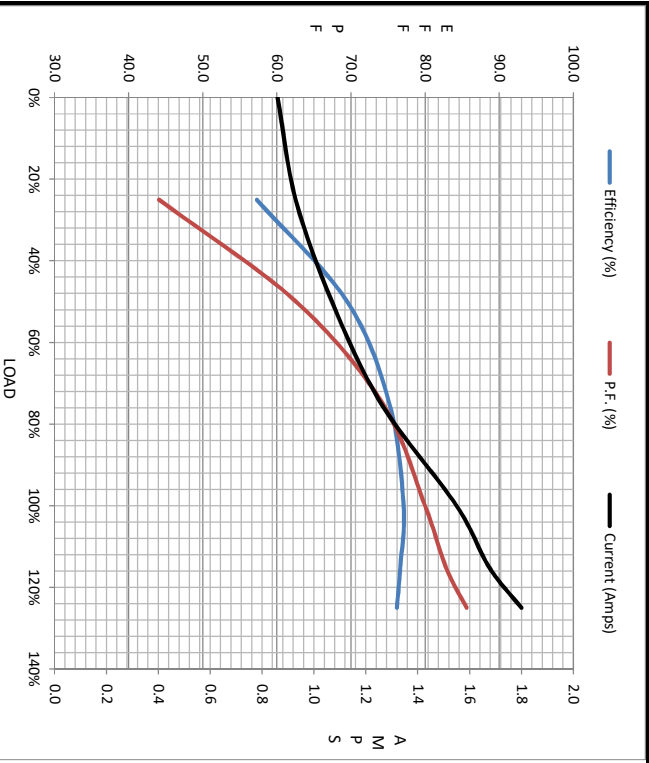
* INVERTER TORQUE: NONE	
* INV. HP SPEED RANGE: NONE	
ENCODER: NONE	NONE PPR
BRAKE: NONE	
FT-LB: NONE	NA
VOLTAGE: NONE	NA
UL: Y-(LEESON UL REC)	

DATE:	1/30/2018	HZ:
-------	-----------	-----



Motor Load Data						LR		
Load	0%	25%	50%	75%	100%	115%	125%	LR
Current (Amps)	0.86	0.93	1.07	1.26	1.55	1.68	1.80	10.0
Torque (ft-lb)	0.00	0.37	0.74	1.13	1.55	1.74	1.93	3.6
HPM	3600	3563	3530	3495	3460	3440	3411	0
Efficiency (%)		57.3	69.5	75.2	77.1	76.7	76.2	
P.F. (%)	23.1	44.1	62.6	74.3	80.0	82.8	85.6	0.0

Motor Speed Data						Information Block																										
LR	Pull-Up	BD	Rated	Idle		HP	Sync. RPM	Frame	Enclosure	Construction	Voltage	Frequency	Design	LR Code letter	Service Factor	Temp Rise @ FL	Duty	Ambient	Elevation	Rotor/Shaft wk <sup>2</sup>	Ref Wdg	Sound Pressure @ 1M	VFD Rating	Outline Dwg	Conn. Diag	Additional Specifications:	R1	R2	X1	X2	Xm	
0	200	2600	3460	3600		1.0	3600	140	TEFC	TFR	230/460#190/380	60	B	J	1.15	53	CONT	40	1,000	0.03	T632161 FR	0	dB(A)	NONE	028941-500	005010.01		0.0000	0.0000	0.0000	0.0000	0.0000
10.0	9.2	6.0	1.55	0.86																												
Torque (ft-lb)	3.6	3.5	5.0	1.55	0.00																											



LR	Pull-Up	BD	Rated	Idle
0	200	2600	3460	3600
10.0	9.2	6.0	1.55	0.86
Torque (ft-lb)	3.6	3.5	5.0	1.55

