

PRODUCT INFORMATION PACKET



Model No: A6S46NR4E

Catalog No: 114102.00

..1/2-.22HP..1725/1140RPM.56.TENV.115V.1PH.60HZ.AIROVER.40C.1.25SF.RESIL.A6S46NR4E.....AG -
HATCHERY.AUTOMATIC.....

Hatchery



Regal and Leeson are trademarks of Regal Beloit Corporation or one of its affiliated companies.

©2018 Regal Beloit Corporation, All Rights Reserved. MC017097E





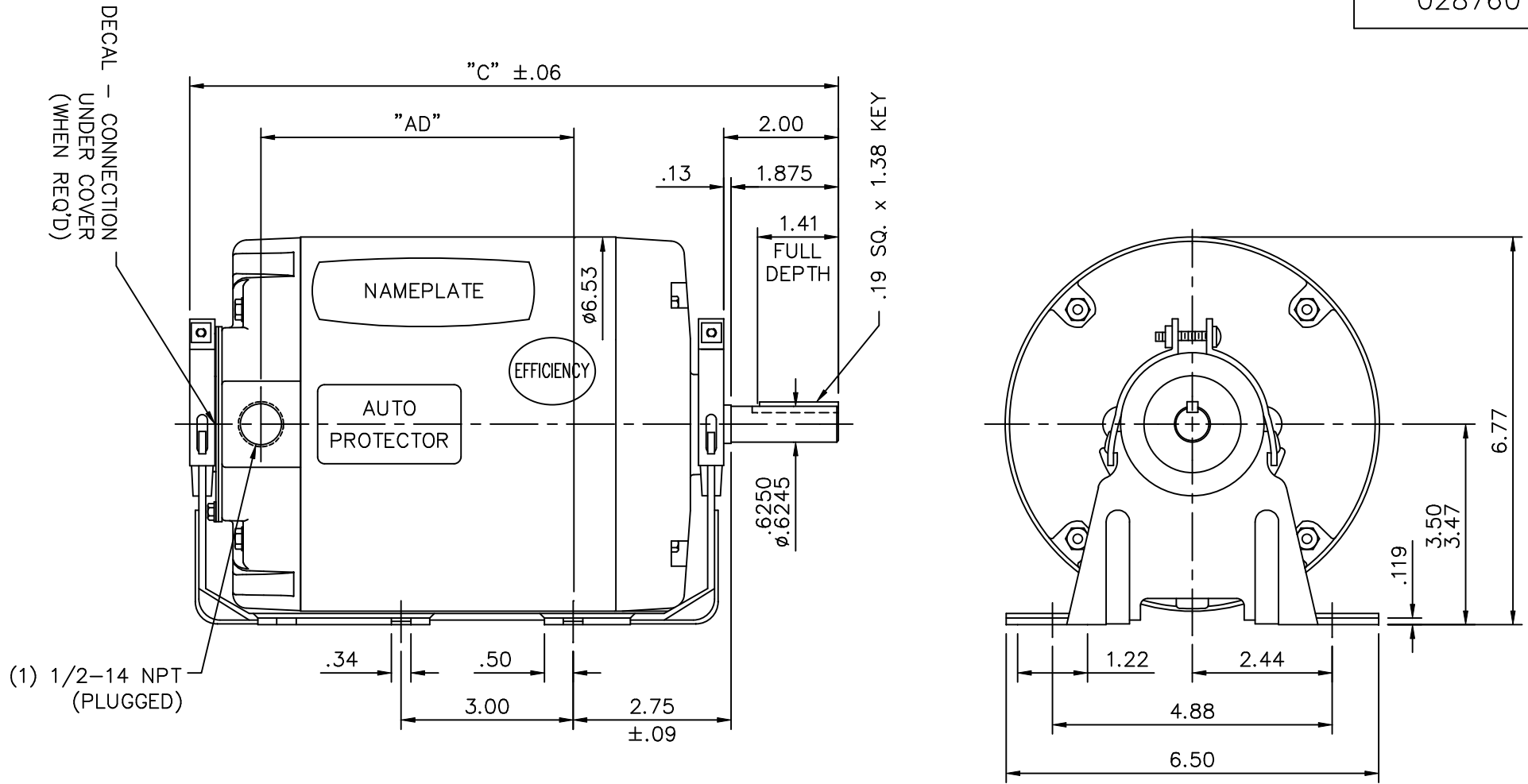
Nameplate Specifications

Output HP	0.50 Hp	Output KW	0.37 kW
Frequency	60 Hz	Voltage	115 V
Current	9.3 A	Speed	1725 rpm
Service Factor	1.25	Phase	1
Efficiency	47.5 %	Duty	Continuous
Insulation Class	F	Design Code	NO DESIGN CODE
KVA Code	P	Frame	56
Enclosure	Totally Enclosed Air Over	Overload Protector	Automatic
Ambient Temperature	40 °C	Drive End Bearing Size	6203
Opp Drive End Bearing Size	6203	UL	Recognized
CSA	Y	CE	N
IP Code	43		

Technical Specifications

Electrical Type	Split Phase	Starting Method	Across The Line
Poles	4	Rotation	Selective Counterclockwise
Mounting	Resilient Base	Motor Orientation	HORIZONTAL
Drive End Bearing	BALL	Opp Drive End Bearing	BALL
Frame Material	Rolled Steel	Shaft Type	NEMA 56
Overall Length	12.32 in	Frame Length	6.50 in
Shaft Diameter	0.625 in	Shaft Extension	1.88 in
Assembly/Box Mounting	F1 ONLY		
Outline Drawing	028760-650	Connection Diagram	005122.01

This is an uncontrolled document once printed or downloaded and is subject to change without notice. Date Created: 10/15/2018



DASH NO.	"C"	"AD"
550	11.32	5.46
600	11.82	5.96
650	12.32	6.46

GASKETS THROUGHOUT



ELECTRIC MOTORS
GEARMOTORS
AND DRIVES

DRAWN	RDW 8/28/06
CHK	
APPD	KH 8/28/06
SCALE	3=8
REF	
FMF	114102
PREV	

TITLE	OUTLINE - 56 FRAME TENV - RESILIENT
MAT'L.	GENERAL PURPOSE
FINISH	

NO.	REVISION	BY & DATE	CHK	TOLERANCES UNLESS SPECIFIED	
				DEC.	INCHES
				.X	±.1
				.XX	±.03
				.XXX	±.005
				.XXXX	±.0005
				ANG	±1/2°

RFP	8/28/06	CAD FILE	028760	SIZE	DRAWING NO.	REV.
DIST	BRF-NLV			A	028760	

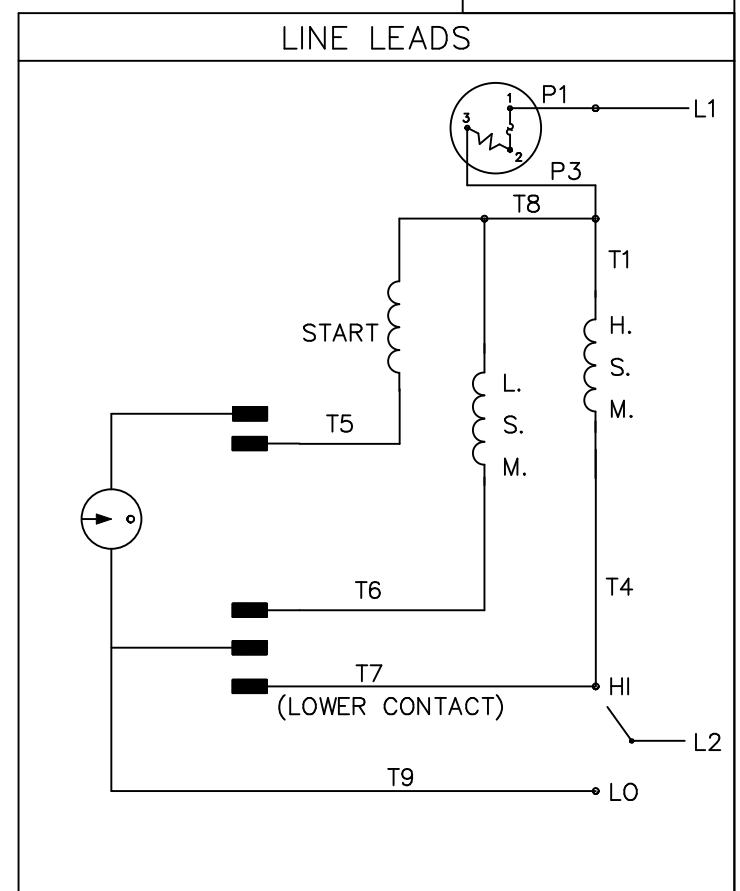
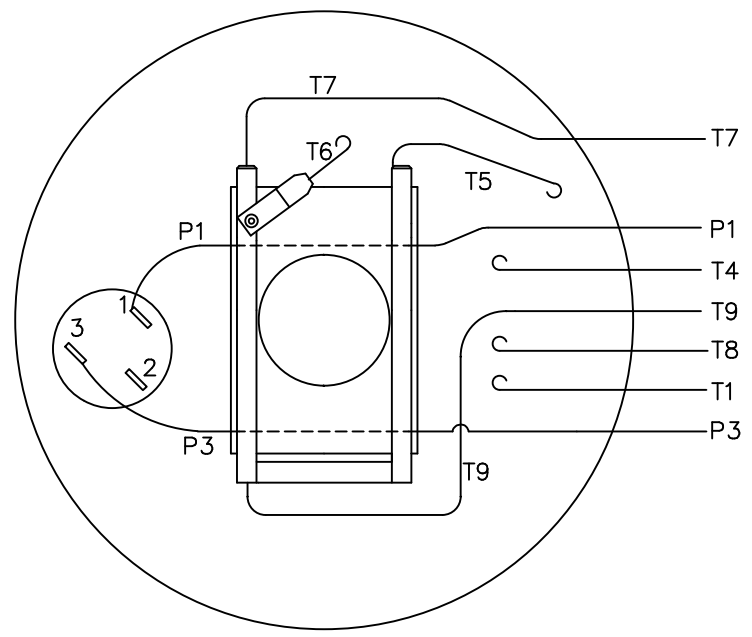
THIS DRAWING IN DESIGN AND DETAIL IS OUR PROPERTY AND MUST NOT BE USED EXCEPT IN CONNECTION WITH OUR WORK ALL RIGHTS OF DESIGN AND INVENTION ARE RESERVED THIS IS AN ELECTRONICALLY GENERATED DOCUMENT - DO NOT SCALE THIS PRINT

ERROR: undefined
OFFENDING COMMAND: de

STACK :

```
{/hofs --exch-- --def-- /vofs --exch-- --def-- /wid --exch-- --def-- /
hei --exch-- --def-- /datasize --exch-- --def-- /ds --exch-- --def-- --
gsave-- hofs vofs --translate-- wid hei --scale-- wid hei true --mark--
wid 0 0 hei --neg-- 0 hei --]-- ds 0 (/SubFileDecode --filter-- /
LZWDecode --filter-- datasize --dup-- 0 --eq-- {--pop-- --pop-- --pop--
--}--ifelse-- --grestore-- }
/im
--savelevel-
```

VIEW FROM OUTSIDE OF MOTOR AT SWITCH END.



ROTATION FACING LEAD END	L1	L2		JOIN & INSUL.
		HI SPEED	LOW SPEED	
C.C.W.	P1	T4, T7	T9	P3, T8, T1
C.W.	P1	T1, T7	T9	P3, T8, T4

TOLERANCES UNLESS OTHERWISE SPECIFIED
DECIMALS

LEESON ELECTRIC CORPORATION

NO.	REVISION	BY	DATE	FRACTIONS	± 1/64	SCALE
09	CORRECTED LOCATION OF T9 JUMPER ON SWITCH	KMM	01/11/07	.00	± .01	DRAWN JRW 02/19/76
08	REVISED T5 JUMPER, WAS LOOSE	DWF	03/07/00	.000	± .005	CH'K'D.
07	REDRAWN ON CAD	KH	09/24/99	.0000	± .0005	APPR. JCW 02/20/76
THIS DRAWING IN DESIGN AND DETAIL IS OUR PROPERTY AND MUST NOT BE USED EXCEPT IN CONNECTION WITH OUR WORK ALL RIGHTS OF DESIGN AND INVENTION ARE RESERVED				ANGLES	± 1/2°	REF.
				INCH/MM		FMF S63(4-6)1

TITLE		EXTERNAL WIRING DIAGRAM TYPE "S" W/ PROTECTOR	
MAT'L.		SINGLE VOLT, DUAL ROT., DUAL SPEED DECAL- 004116	
FINISH IND. BELTING	SIZE	DRAWING NO.	
145C48DC11	A	005122-01	