

# PRODUCT INFORMATION PACKET



Model No: U6C34FK55 F

Catalog No: 113959.00

2HP..3450RPM.56.TEFC.115/208-230V.1PH.60HZ.CONT.AUTOMATIC.40C.1SF.RIGID C.JET  
PUMP.U6C34FK55F

Jet Pump



Regal and Leeson are trademarks of Regal Beloit Corporation or one of its affiliated companies.

©2018 Regal Beloit Corporation, All Rights Reserved. MC017097E





### Nameplate Specifications

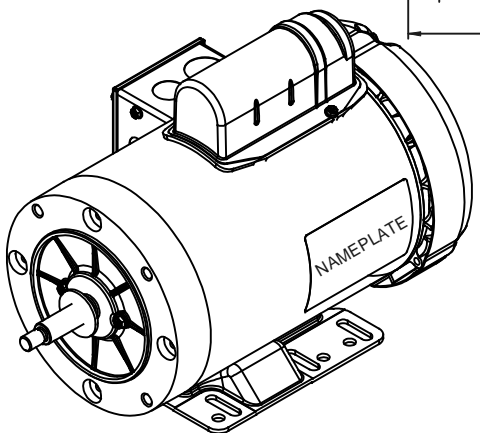
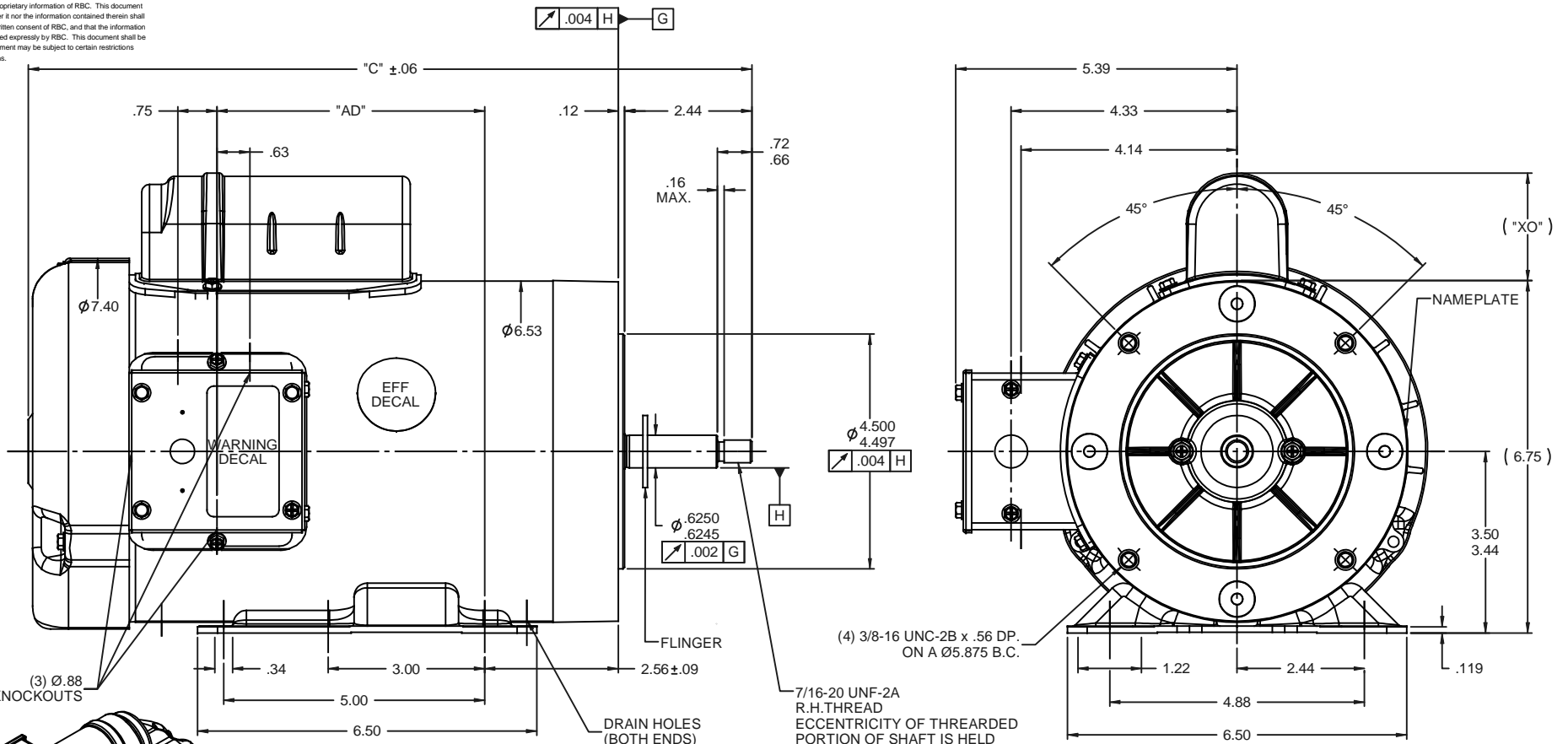
Output HP	2 Hp	Output KW	1.5 kW
Frequency	60 Hz	Voltage	115/208-230 V
Current	20.0/11.4-10.0 A	Speed	3450 rpm
Service Factor	1	Phase	1
Efficiency	73 %	Duty	Continuous
Insulation Class	F	Design Code	L
KVA Code	J	Frame	56J
Enclosure	Totally Enclosed Fan Cooled	Overload Protector	Automatic
Ambient Temperature	40 °C	Drive End Bearing Size	6203
Opp Drive End Bearing Size	6203	UL	Recognized
CSA	Y	CE	N
IP Code	43		

### Technical Specifications

Electrical Type	Capacitor Start Induction Run	Starting Method	Across The Line
Poles	2	Rotation	Fixed Clockwise
Mounting	Rigid base	Motor Orientation	HORIZONTAL
Drive End Bearing	BALL	Opp Drive End Bearing	BALL
Frame Material	Rolled Steel	Shaft Type	J
Overall Length	13.86 in	Frame Length	8.00 in
Shaft Diameter	0.625 in	Shaft Extension	2.44 in
Assembly/Box Mounting	F1 ONLY		
Outline Drawing	028923-800B	Connection Diagram	005331.01

This is an uncontrolled document once printed or downloaded and is subject to change without notice. Date Created: 10/15/2018

RBC PROPRIETARY AND CONFIDENTIAL INFORMATION  
 This document is the property of REGAL BELOIT CORPORATION ("RBC") including its subsidiaries and divisions and contains proprietary information of RBC. This document is loaned on the express condition that neither it nor the information contained therein shall be disclosed to others without the express written consent of RBC, and that the information shall be used by the recipient only as approved expressly by RBC. This document shall be returned to RBC upon its request. This document may be subject to certain restrictions under U.S. export control laws and regulations.



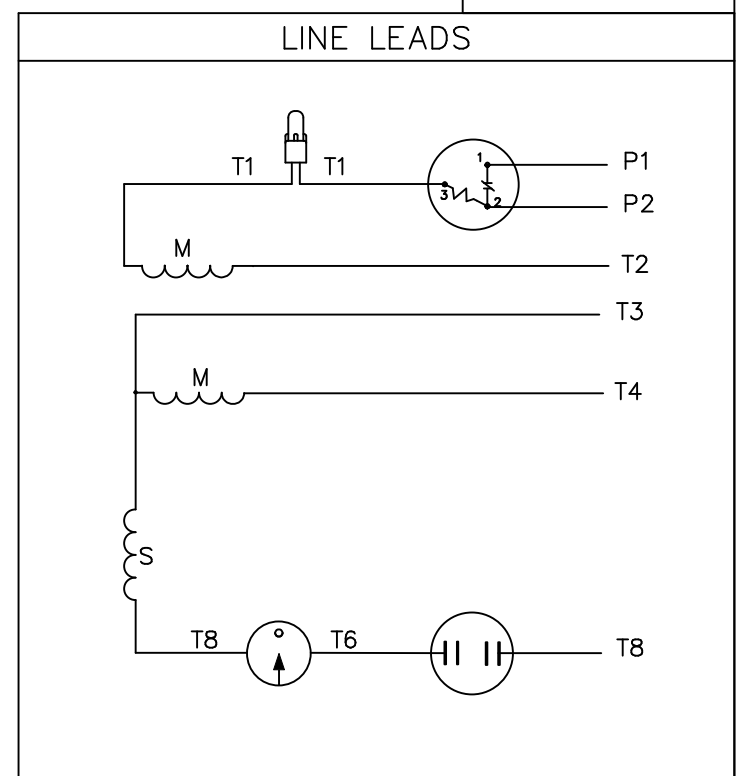
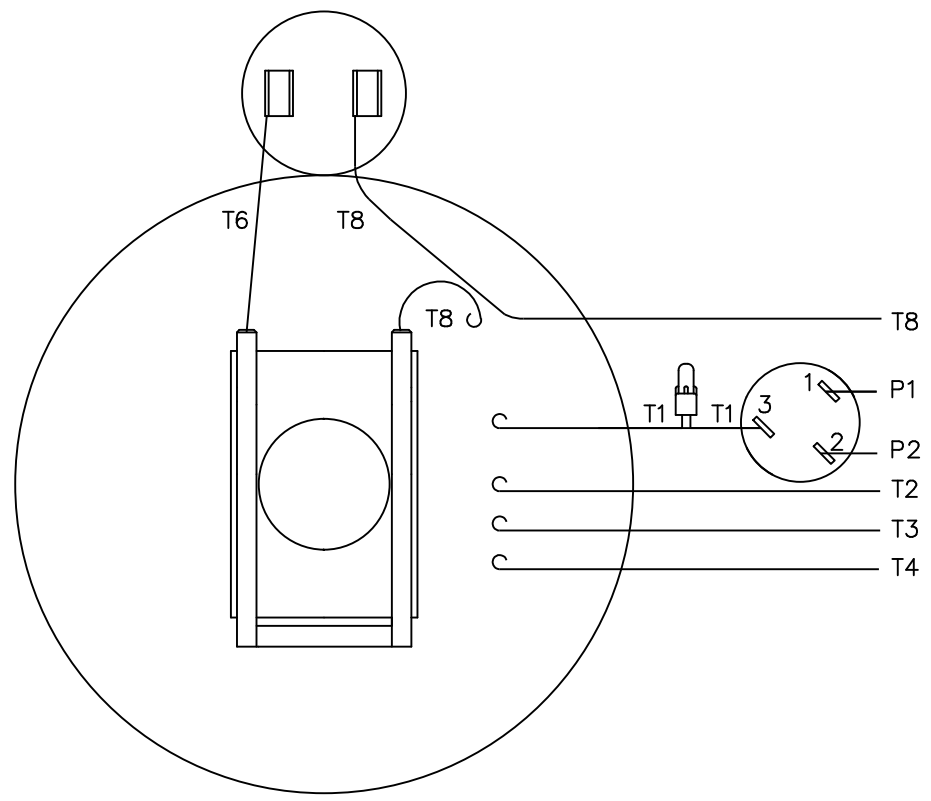
DASH NO.	"C"	"AD"	CAP. DASH	"XO"
650	12.36	3.63		
700	12.86	4.13		
750	13.36	4.63	A	1.54
800	13.86	5.13	B	2.01
850	14.36	5.63	C	2.25

NOTES:  
 1) GASKETS THROUGHOUT

REVISION		BY & DATE	CHK	ANG	±1/2"	FINISH	LEESON ELECTRIC MOTORS GEARMOTORS AND DRIVES		DRAWN	GRB 12/15/08
THIRD ANGLE PROJECTION			RFP	12/15/08	PREV		TITLE OUTLINE - 56J FRAME TEFC - RIGID "C" MATL JET PUMP		CHK	DJ 12/15/08
							SCALE 1:2		APPR	DJ 12/15/08
							REF 028651			
							FMF 113959.00			
							PAGE 1 OF 1			
							SIZE B		DRAWING NO	028923
							REV			

005331-01

VIEW FROM OUTSIDE OF MOTOR AT SWITCH END.



	ROTATION FACING LEAD END	L1	L2	JOIN	INSULATE SEPARATELY
HIGH VOLT	C.W.	P1	T4 T8	T2,T3	P2
LOW VOLT	C.W.	P1	T4,T2 T8	P2,T3	----

TOLERANCES UNLESS OTHERWISE SPECIFIED	
DECIMALS	
.00	± .01
.000	± .005
.0000	± .0005
FRACTIONS	
	± 1/64
ANGLES	
	± 1/2°
INCH/MM	

**LEESON** ELECTRIC CORPORATION

DRAWN EJM 03/25/91	TITLE	EXTERNAL WIRING DIAGRAM
CH'K'D. RLP 03/25/91		TYPE "C" W/PROTECTOR
APPR. SJB 03/25/91+	MAT'L.	DECAL - 080393

NO.	REVISION	BY	DATE	SCALE	REF.	FINISH	SIZE	DRAWING NO.
					005030.02	STOCK	A	005331-01

THIS DRAWING IN DESIGN AND DETAIL IS OUR PROPERTY AND MUST NOT BE USED EXCEPT IN CONNECTION WITH OUR WORK ALL RIGHTS OF DESIGN AND INVENTION ARE RESERVED



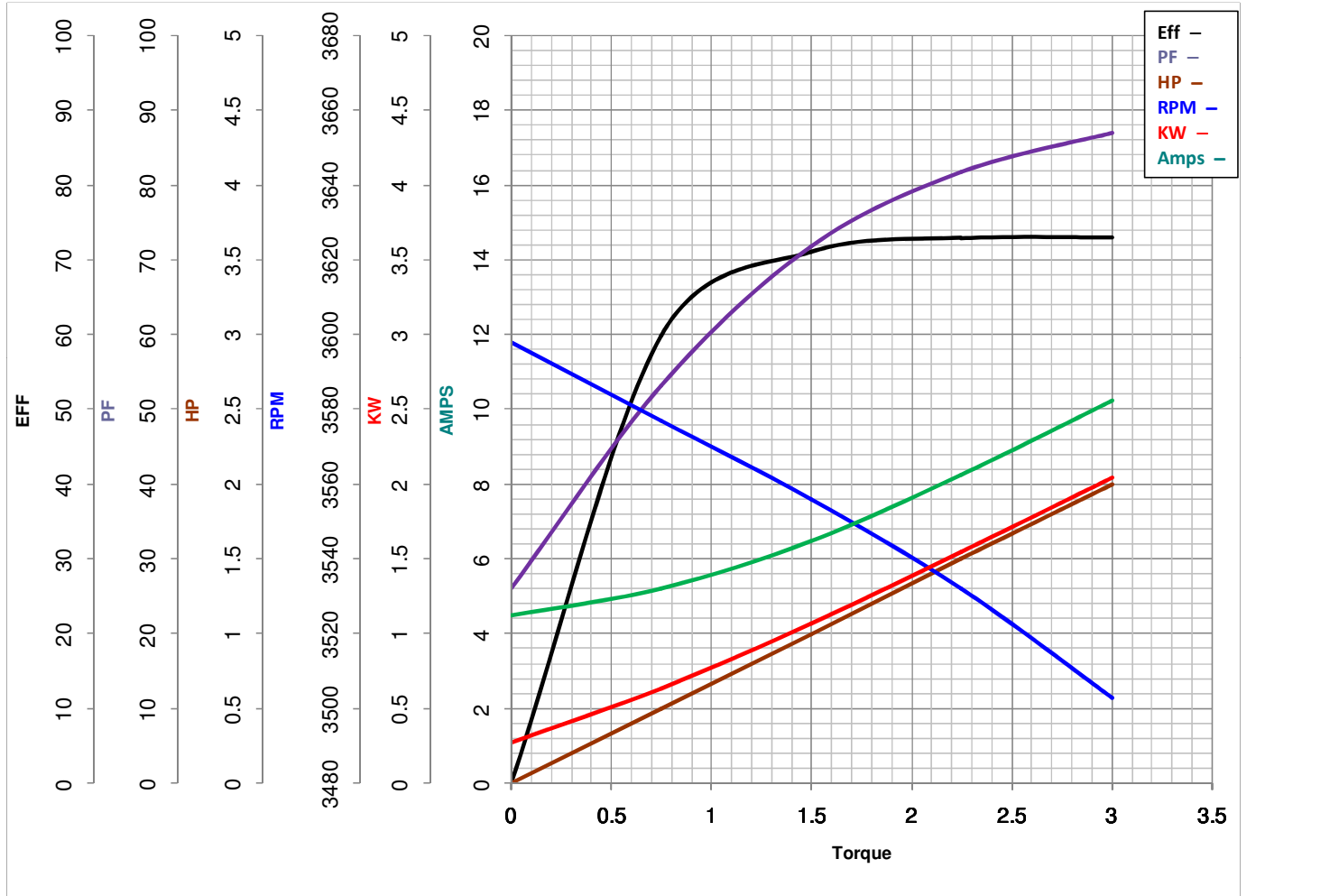
**LEESON ELECTRIC CORPORATION**  
 TYPICAL PERFORMANCE CURVE for AC MOTOR

Model No 113959.00

Catalog No 113959.00

Curve at 230 Volts HP 2.00 PHASE 1  
60 HZ  
2 HP VOLTS 115/208-230

HZ 60 RPM 3450



Torque in Lb.Ft

FL TORQUE 3 Lb.Ft  
 BD TORQUE 7.8 Lb.Ft  
 LR TORQUE 7.5 Lb.Ft

FL AMPS 20/11.4-10  
 PU TORQUE 7.0 Lb.Ft  
 LR AMPS 64.4

WINDING C632213-4

Date 5/2/2018