

PRODUCT INFORMATION PACKET



Model No: A6C34FK53F

Catalog No: 113957.00

1HP..3450RPM.56.TEFC.115/208-230V.1PH.60HZ.CONT.AUTOMATIC.40C.1.25SF.RIGID C.JET
PUMP.A6C34FK53F

Jet Pump



Regal and Leeson are trademarks of Regal Beloit Corporation or one of its affiliated companies.

©2018 Regal Beloit Corporation, All Rights Reserved. MC017097E





Nameplate Specifications

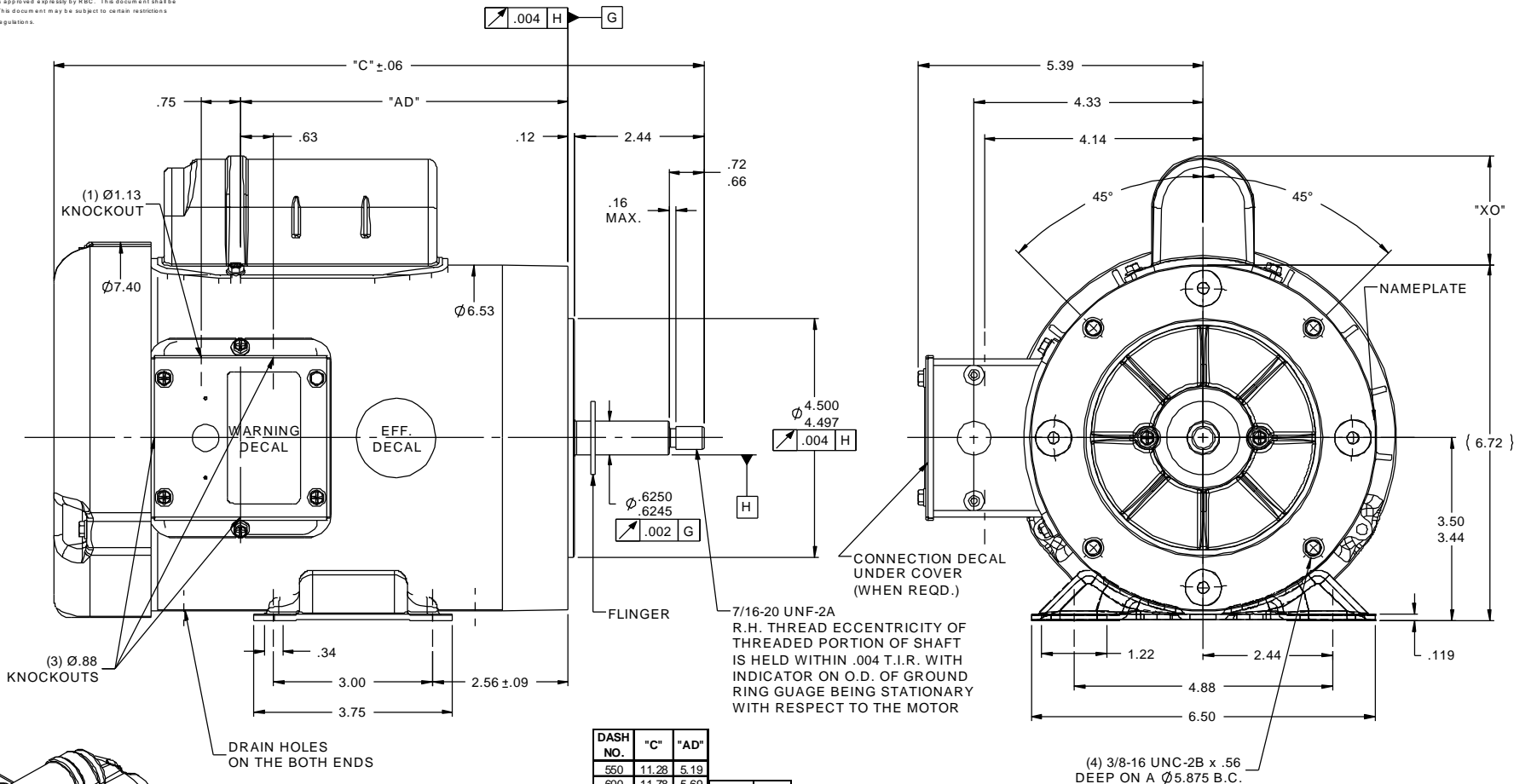
Output HP	1 Hp	Output KW	0.75 kW
Frequency	60 Hz	Voltage	115/208-230 V
Current	12.0/6.2-6.0 A	Speed	3450 rpm
Service Factor	1.25	Phase	1
Efficiency	70 %	Duty	Continuous
Insulation Class	B	Design Code	N
KVA Code	J	Frame	56J
Enclosure	Totally Enclosed Fan Cooled	Overload Protector	Automatic
Ambient Temperature	40 °C	Drive End Bearing Size	6203
Opp Drive End Bearing Size	6203	UL	Recognized
CSA	Y	CE	N
IP Code	43		

Technical Specifications

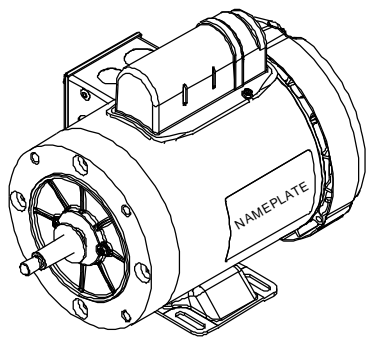
Electrical Type	Capacitor Start Induction Run	Starting Method	Across The Line
Poles	2	Rotation	Fixed Clockwise
Mounting	Rigid base	Motor Orientation	HORIZONTAL
Drive End Bearing	BALL	Opp Drive End Bearing	BALL
Frame Material	Rolled Steel	Shaft Type	J
Overall Length	12.28 in	Frame Length	6.50 in
Shaft Diameter	0.625 in	Shaft Extension	2.44 in
Assembly/Box Mounting	F1 ONLY		
Outline Drawing	028870-650B	Connection Diagram	005330.02

This is an uncontrolled document once printed or downloaded and is subject to change without notice. Date Created: 10/15/2018

RBC PROPRIETARY AND CONFIDENTIAL INFORMATION
 This document is the property of REGAL BELOIT CORPORATION (RBC) including its subsidiaries and divisions and contains proprietary information of RBC. This document is loaned on the express condition that neither the information contained therein shall be disclosed to others without the express written consent of RBC, and that the information shall be used by the recipient only as approved expressly by RBC. This document shall be returned to RBC upon its request. This document may be subject to certain restrictions under U.S. export controls and regulations.



DASH NO.	"C"	"AD"	CAP. DASH	"XO"
550	11.28	5.19	A	1.54
600	11.78	5.69	B	2.01
650	12.28	6.19	C	2.25
700	12.78	6.69		
750	13.28	7.19		
800	13.78	7.69		
850	14.28	8.19		

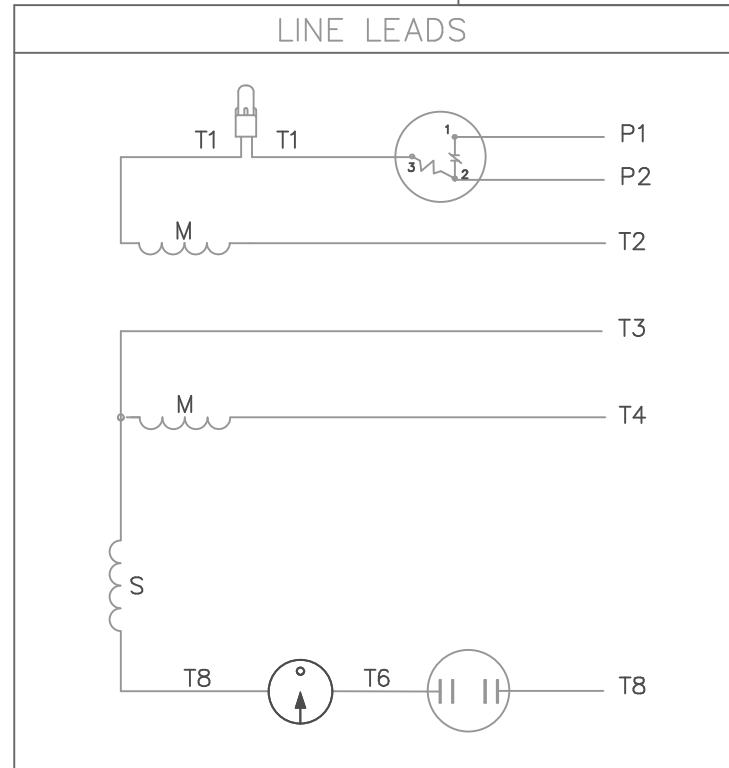
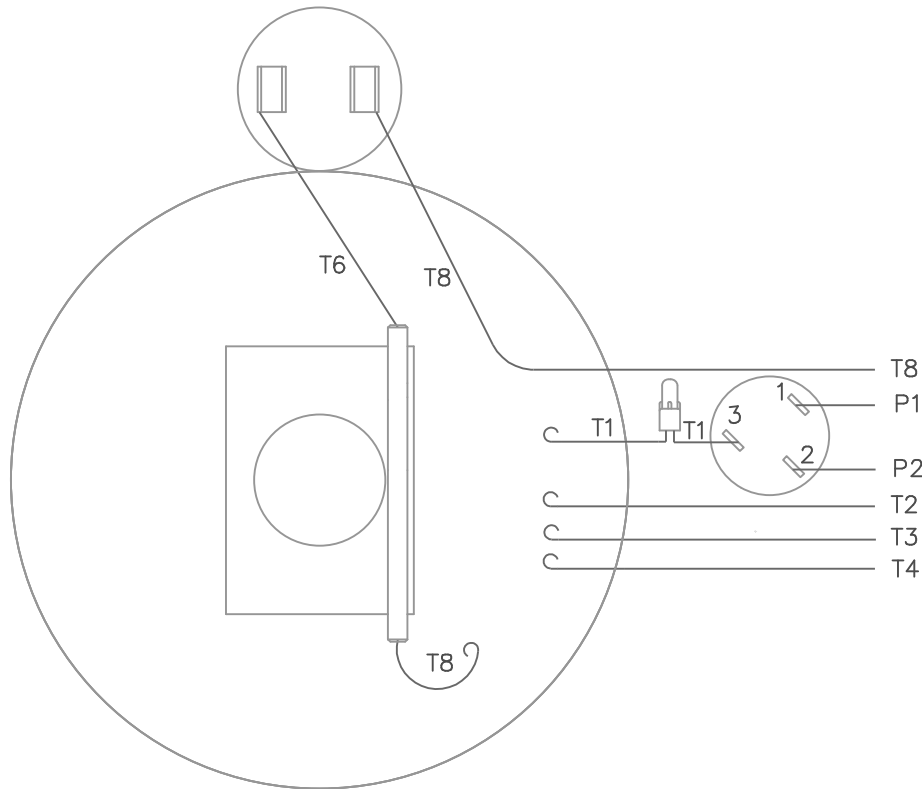


NOTES:
 GASKETS THROUGHOUT

				TOLERANCES UNLESS SPECIFIED		LEESON ELECTRIC MOTORS GEARMOTORS AND DRIVES		DRAWN GRB 08/19/2008
				DEC	INCHES			CHK DJ 08/19/2008
				X	±.1			APPR
02	ADDED CONNECTION DECAL NOTE PER MU115132(117989.00)	UD 9/18/2013	GRB	XXX	±.005	TITLE OUTLINE - 56J FRAME TEFC - RIGID "C"		SCALE 1:2
01	ADDED ITEM #550 (113637.00)	GRB 12/16/2008	DJ	XXXX	±.0005	MAT'L JET PUMP		REF 028608
NO	REVISION	BY & DATE	CHK	LANG	±7'30"	FINISH		FMF 113957.00
				RFP	08/19/2008	PREV		PAGE OF
THIRD ANGLE PROJECTION				NETWORK FILE NAME 028870		SIZE B	DRAWING NO 028870	REV 02

005330-02

VIEW FROM OUTSIDE OF MOTOR AT SWITCH END.



	ROTATION FACING LEAD END	L1	L2	JOIN	INSULATE SEPARATELY
HIGH VOLT	C.W.	P1	T4 T8	T2,T3	P2
LOW VOLT	C.W.	P1	T2,T4 T8	P2,T3	--

				TOLERANCES UNLESS OTHERWISE SPECIFIED	
				DECIMALS	
				.00	± .01
				.000	± .005
2	REDRAWN ON CAD	DBT	06/06/97	.0000	± .0005
NO.	REVISION	BY	DATE	FRACTIONS	± 1/64
				ANGLES	± 1/2°
				INCH/MM	

LEESON ELECTRIC CORPORATION

EXT. WIRING DIAGRAM
TYPE "C" W/PROTECTOR

DECAL - 080393

BRF

DRAWN	EJM	03/04/91	TITLE	EXT. WIRING DIAGRAM TYPE "C" W/PROTECTOR
CH'K'D.	SJB	03/08/91	MAT'L.	DECAL - 080393
APPR.	RPB	03/08/91	SCALE	1=1
REF.	005043.01	FINISH	SIZE	DRAWING NO.
FMF	6C34FK49		A	005330-02

THIS DRAWING IN DESIGN AND DETAIL IS OUR PROPERTY AND MUST NOT BE USED EXCEPT IN CONNECTION WITH OUR WORK ALL RIGHTS OF DESIGN AND INVENTION ARE RESERVED



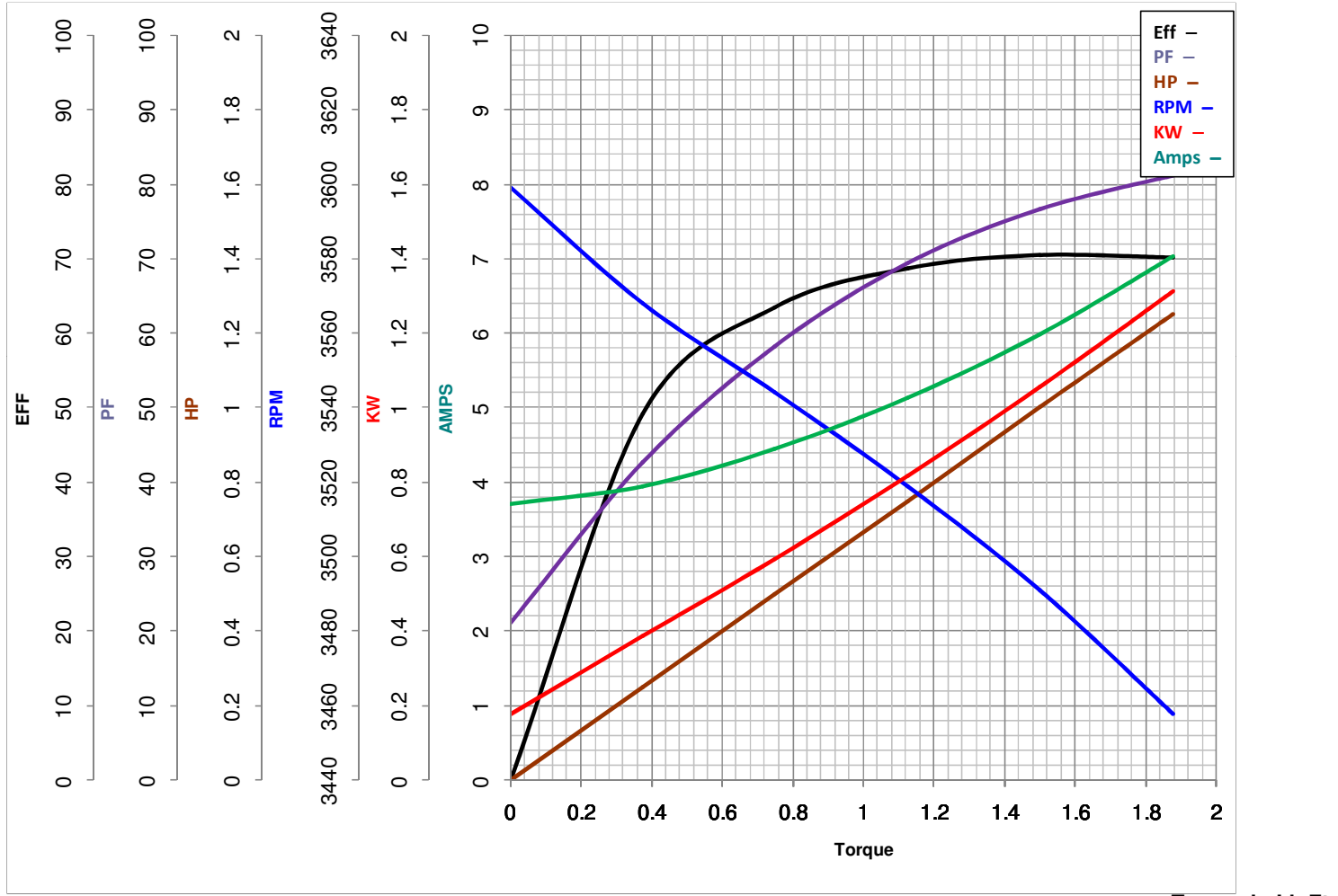
LEESON ELECTRIC CORPORATION
 TYPICAL PERFORMANCE CURVE for AC MOTOR

Model No 113957.00

Curve at 230 Volts HP 1.00 PHASE 1
60 HZ
1 HP VOLTS 115/208-230

Catalog No 113957.00

HZ 60 RPM 3450



FL TORQUE	<u>1.5</u>	Lb.Ft	FL AMPS	<u>12/6.2-6</u>
BD TORQUE	<u>4.0</u>	Lb.Ft	PU TORQUE	<u>3.8</u> Lb.Ft
LR TORQUE	<u>5</u>	Lb.Ft	LR AMPS	<u>34</u>
WINDING	C632211-5		Date	3/26/2018