

PRODUCT INFORMATION PACKET



Model No: C6P34NK5F

Catalog No: 113939.00

1/2HP..3450RPM.56.TENV./230V.1PH.60HZ.60 MIN.NOT.40C.SPECSF.RIGID C.AG - MILK
TRANSFER.C6P34NK5F

Milk Transfer



Regal and Leeson are trademarks of Regal Beloit Corporation or one of its affiliated companies.

©2018 Regal Beloit Corporation, All Rights Reserved. MC017097E





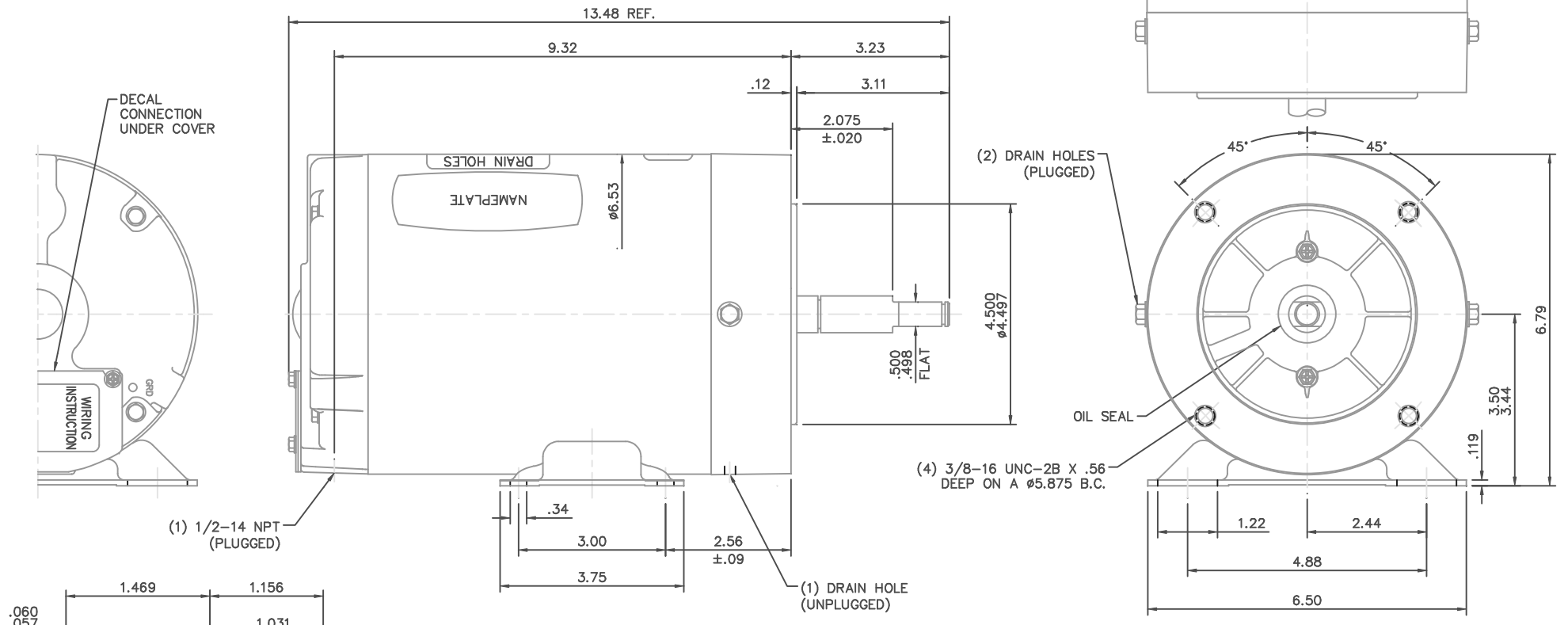
Nameplate Specifications

Output HP	0.50 Hp	Output KW	0.37 kW
Frequency	60 Hz	Voltage	230 V
Current	4.5 A	Speed	3450 rpm
Service Factor	1	Phase	1
Efficiency	57.5 %	Duty	60 Minute
Insulation Class	F	Design Code	N
KVA Code	H	Frame	56CZ
Enclosure	Totally Enclosed Non Ventilated	Overload Protector	No
Ambient Temperature	40 °C	Drive End Bearing Size	6205
Opp Drive End Bearing Size	6203	UL	Recognized
CSA	Y	CE	N
IP Code	43		

Technical Specifications

Electrical Type	Permanent Split Capacitor	Starting Method	Across The Line
Poles	2	Rotation	Selective Counterclockwise
Mounting	Rigid base	Motor Orientation	HORIZONTAL
Drive End Bearing	BALL	Opp Drive End Bearing	BALL
Frame Material	Rolled Steel	Shaft Type	Single Special Extension
Overall Length	13.48 in	Frame Length	7.00 in
Shaft Diameter	0.500 in	Shaft Extension	3.11 in
Assembly/Box Mounting	F1 ONLY		
Outline Drawing	OL113939	Connection Diagram	005058.01

This is an uncontrolled document once printed or downloaded and is subject to change without notice. Date Created: 10/15/2018

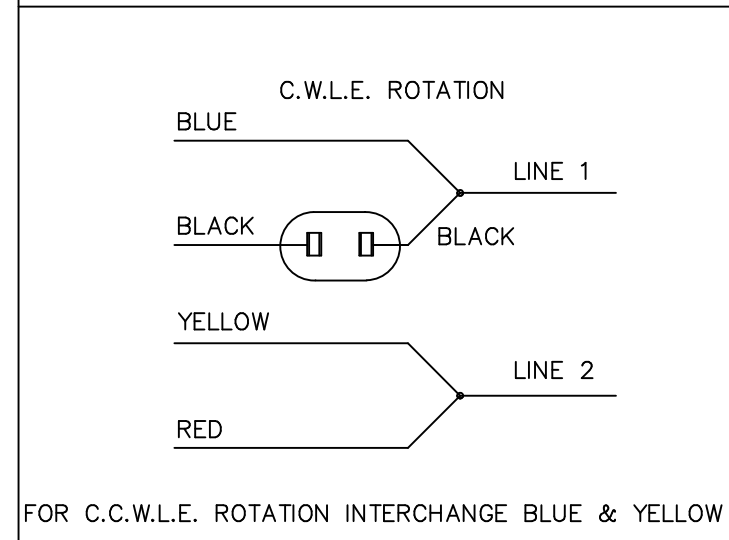
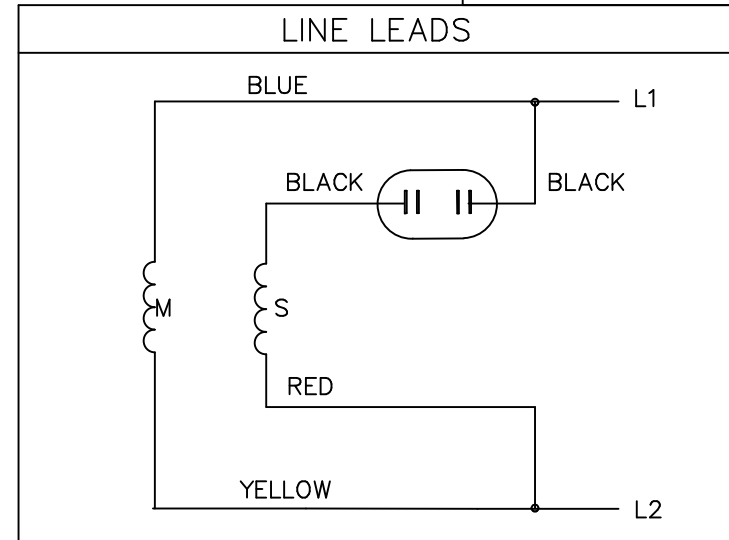
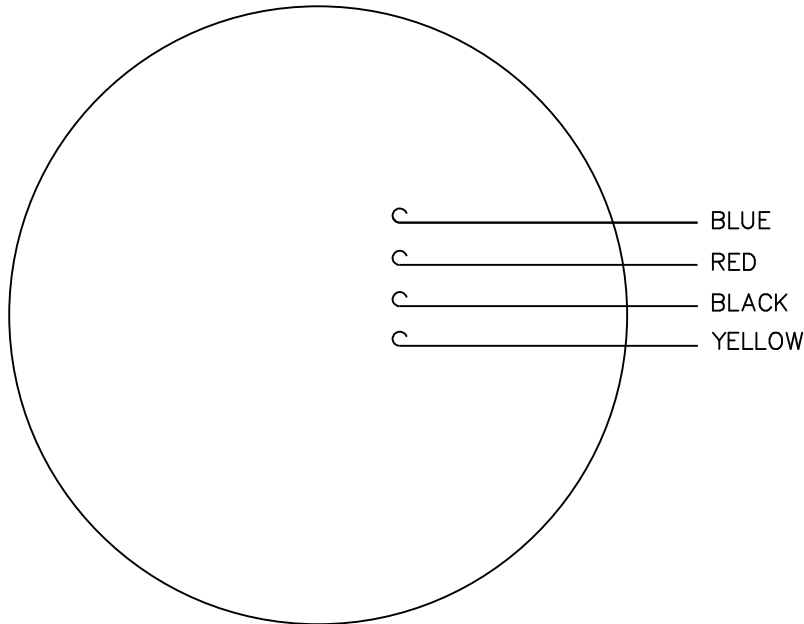


GASKETS THROUGHOUT
 MAXIMUM FACE RUNOUT TO BE .004 T.I.R.
 MAXIMUM PILOT ECCENTRICITY .004 T.I.R.
 PERMISSIBLE SHAFT RUNOUT .003 T.I.R.

SHAFT EXTENSION DETAIL
 2X SCALE

TO TOLERANCES UNLESS SPECIFIED		DEC. INCHES		TITLE	DRAWN KMM 08/01/06
.X	±.1	.XX	±.03		
.XXX	±.005	.XXXX	±.0005	APPD PG 08/01/06	
D1 BICB COVER SREWS REDRAWN ARV 5/18/07				SCALE 1=2	
NO.	REVISION	BY & DATE	CHK ANG ±1/2°	FINISH	REF 028585
THIS DRAWING IN DESIGN AND DETAIL IS OUR PROPERTY AND MUST NOT BE USED EXCEPT IN CONNECTION WITH OUR WORK ALL RIGHTS OF DESIGN AND INVENTION ARE RESERVED THIS IS AN ELECTRONICALLY GENERATED DOCUMENT - DO NOT SCALE THIS PRINT				RFP CAD FILE OL113939	FMF 113939.00
				SIZE B	PREV
				DRAWING NO. OL113939	REV. 01
DIST BRF-NLV					

VIEW FROM OUTSIDE OF MOTOR AT SWITCH END.



TOLERANCES UNLESS OTHERWISE SPECIFIED	
DECIMALS	
.00	± .01
.000	± .005
.0000	± .0005
FRACTIONS	± 1/64

LEESON ELECTRIC CORPORATION

2	REDRAWN ON CAD	DBT	06/23/97	DRAWN JRW 10/30/74	TITLE	EXTERNAL WIRING DIAGRAM
NO.	REVISION	BY	DATE	CH'K'D.	MAT'L.	INTERNAL DIA. P2A P2B
				APPR. JCW		
				SCALE 1=1		

THIS DRAWING IN DESIGN AND DETAIL IS OUR PROPERTY AND MUST NOT BE USED EXCEPT IN CONNECTION WITH OUR WORK ALL RIGHTS OF DESIGN AND INVENTION ARE RESERVED				ANGLES ± 1/2°	REF. MG1 2.47	FINISH BABSON	SIZE A	DRAWING NO. 005058-01
				INCH/MM	FMF FIG. 2-15			

