

PRODUCT INFORMATION PACKET



Model No: C6C28FB27F

Catalog No: 113918.00

3/4HP..55kW.2850RPM.56.IP54.110/220V.1PH.50HZ.CONT.NOT.40C.1SF.RIGID.50 HERTZ.C6C28FB27F
50 Hz



Regal and Leeson are trademarks of Regal Beloit Corporation or one of its affiliated companies.

©2018 Regal Beloit Corporation, All Rights Reserved. MC017097E





Nameplate Specifications

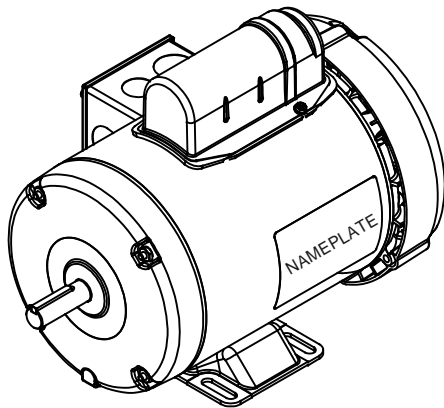
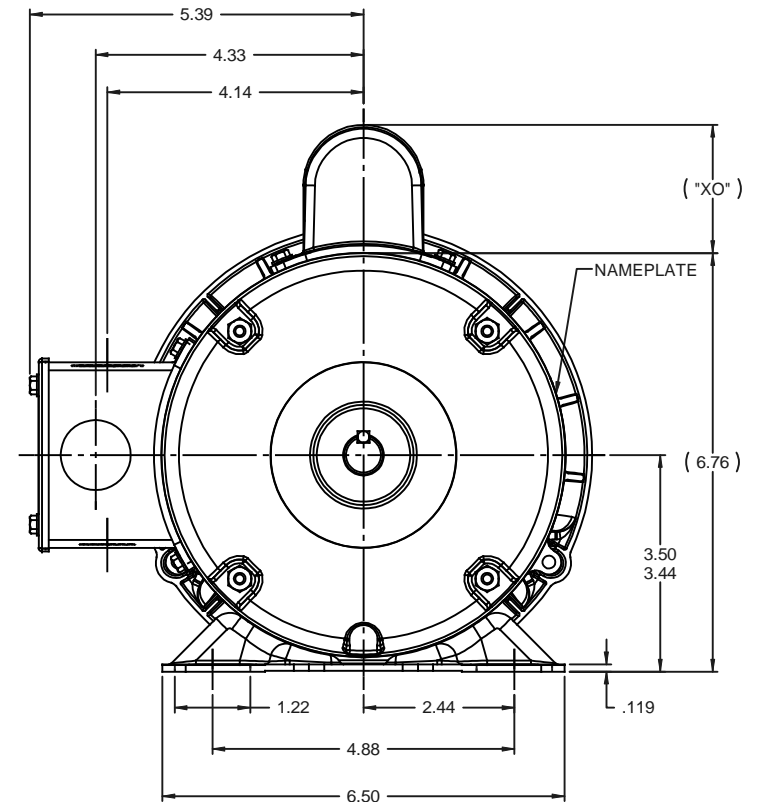
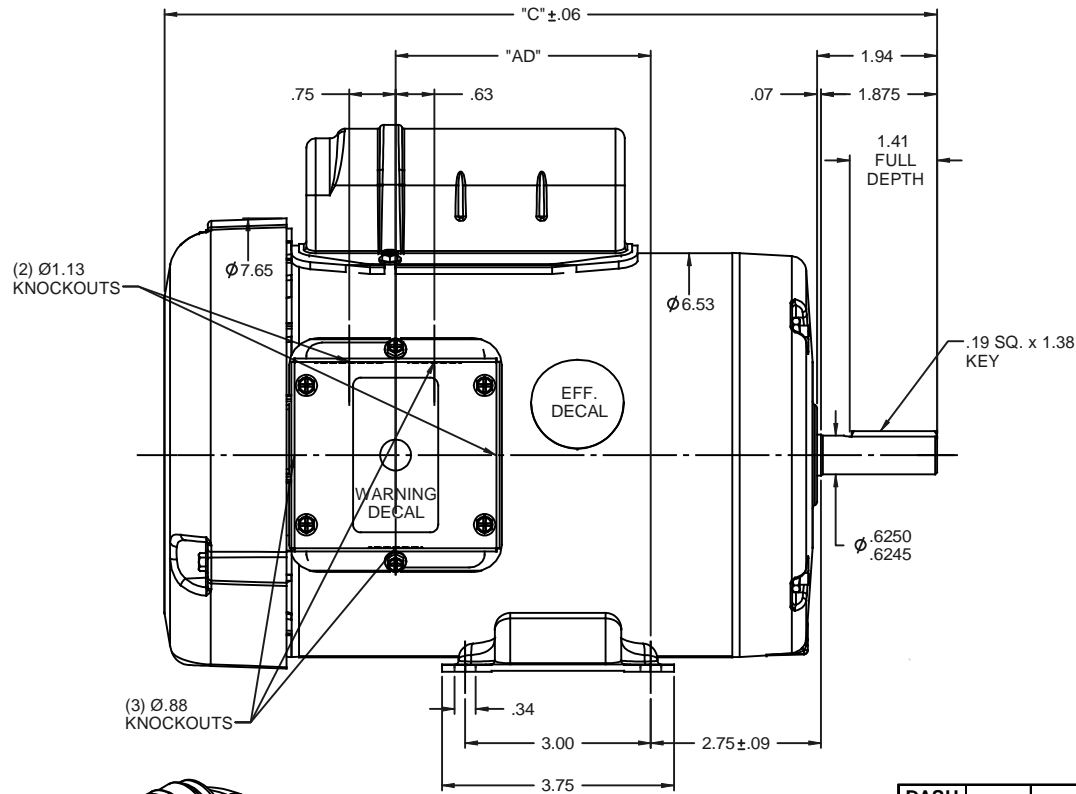
Output HP	0.75 Hp	Output KW	0.56 kW
Frequency	50 Hz	Voltage	110/220 V
Current	11.2/5.6 A	Speed	2850 rpm
Service Factor	1	Phase	1
Efficiency	70 %	Duty	Continuous
Insulation Class	B	Design Code	N
KVA Code	K	Frame	56
Enclosure	Totally Enclosed Fan Cooled	Overload Protector	No
Ambient Temperature	40 °C	Drive End Bearing Size	6203
Opp Drive End Bearing Size	6203	UL	Recognized
CSA	Y	CE	Y
IP Code	54		

Technical Specifications

Electrical Type	Capacitor Start Induction Run	Starting Method	Across The Line
Poles	2	Rotation	Selective Counterclockwise
Mounting	Rigid base	Motor Orientation	HORIZONTAL
Drive End Bearing	BALL	Opp Drive End Bearing	BALL
Frame Material	Rolled Steel	Shaft Type	NEMA 56
Overall Length	11.48 in	Frame Length	6.00 in
Shaft Diameter	0.625 in	Shaft Extension	1.88 in
Assembly/Box Mounting	F1 ONLY		
Outline Drawing	028797-600B	Connection Diagram	005390.01

This is an uncontrolled document once printed or downloaded and is subject to change without notice. Date Created: 10/15/2018

RBC PROPRIETARY AND CONFIDENTIAL INFORMATION
 This document is the property of REGAL BELOIT CORPORATION ("RBC") including its subsidiaries and divisions and contains proprietary information of RBC. This document is loaned on the express condition that neither it nor the information contained therein shall be disclosed to others without the express written consent of RBC, and that the information shall be used by the recipient only as approved expressly by RBC. This document shall be returned to RBC upon its request. This document may be subject to certain restrictions under U.S. export control laws and regulations.

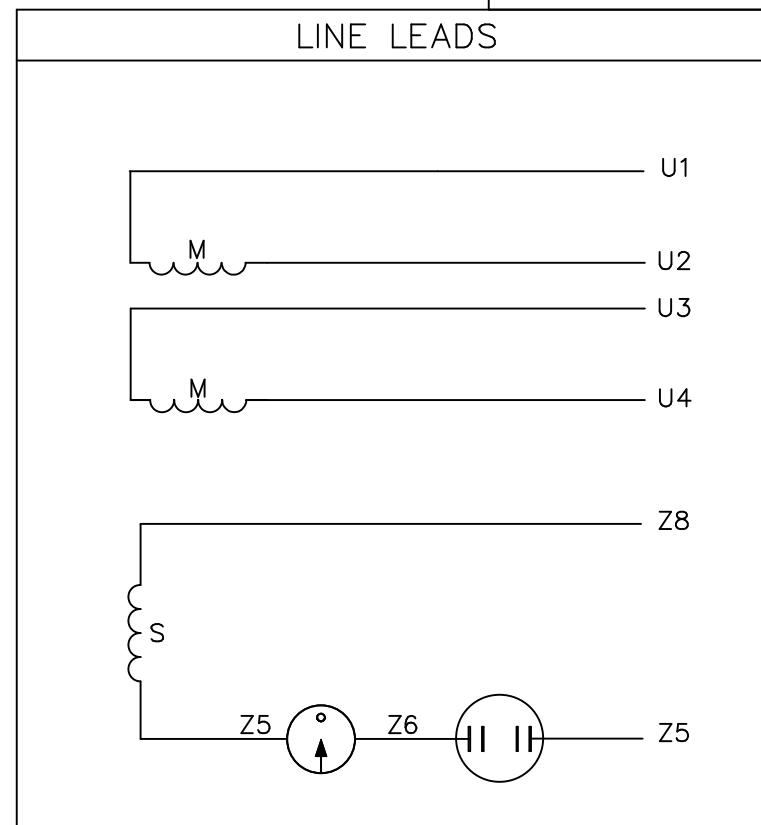
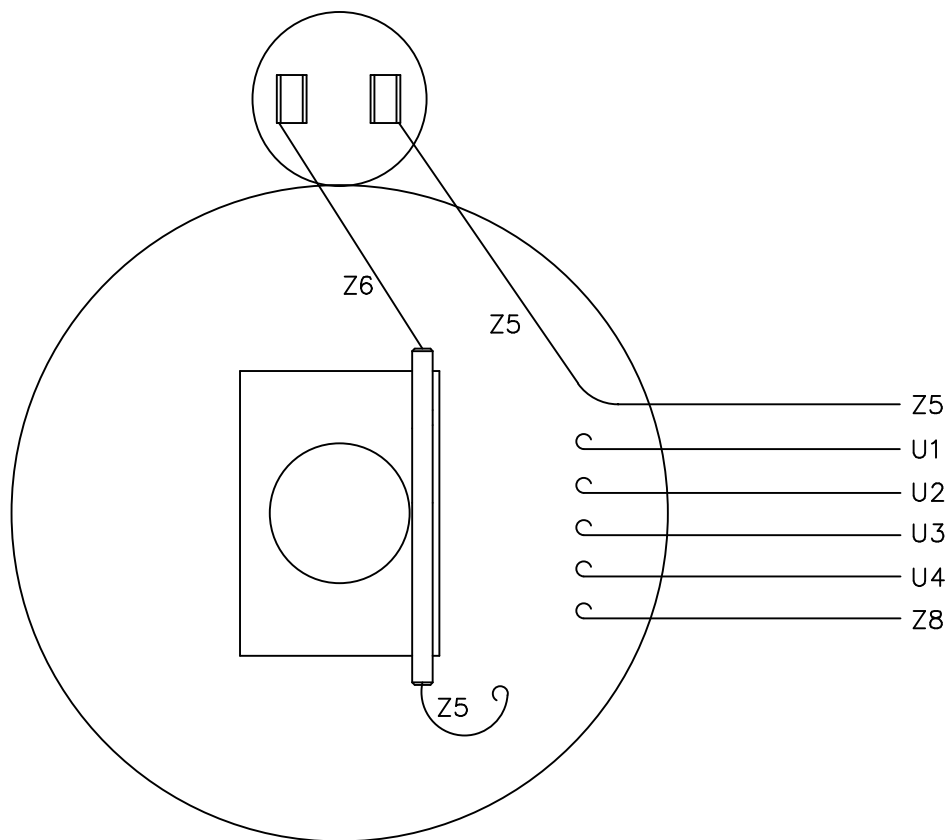


DASH NO.	"C"	"AD"	CAP DASH	"XO"
500	10.48	2.13	A	1.61
550	10.98	2.63	B	2.08
600	11.48	3.13	C	2.32
650	11.98	3.63		
700	12.48	4.13		
750	12.98	4.63		

NOTES:
 1) GASKETS THROUGHOUT

REVISION		BY & DATE	CHK	ANG	FINISH	SCALE	PAGE	OF	REV														
01	ADDED ISOMETRIC VIEW AS PER ISAAC #08-4017	GRB/ 9/5/2008	DJ	xxx	±.0005	MATL	1	1	01														
<table border="0"> <tr> <td>TOLERANCES UNLESS SPECIFIED:</td> <td>DEC</td> <td>INCHES</td> </tr> <tr> <td>x</td> <td>±.1</td> <td></td> </tr> <tr> <td>.xx</td> <td>±.03</td> <td></td> </tr> <tr> <td>.xxx</td> <td>±.005</td> <td></td> </tr> </table>						TOLERANCES UNLESS SPECIFIED:	DEC	INCHES	x	±.1		.xx	±.03		.xxx	±.005				ELECTRIC MOTORS GEARMOTORS AND DRIVES		DRAWN: KMM 09/18/07 CHK: APPR: REF: 028612 FMF: 110094.00	
TOLERANCES UNLESS SPECIFIED:	DEC	INCHES																					
x	±.1																						
.xx	±.03																						
.xxx	±.005																						
TITLE: OUTLINE - 56 FRAME TEFC - RIGID						SCALE: 1:2		REF: 028612															
FINISH: GENERAL PURPOSE						PAGE: 1 OF 1		REV: 01															
NETWORK FILE NAME						SIZE: B		DRAWING NO: 028797															

VIEW FROM OUTSIDE OF MOTOR AT SWITCH END.



	ROTATION FACING LEAD END	L1	L2	JOIN
HIGH VOLT	C.C.W.	U1	U4 Z5	U2,U3 Z8
	C.W.	U1	U4 Z8	U2,U3 Z5
LOW VOLT	C.C.W.	U1,U3 Z8	U2,U4 Z5	---
	C.W.	U1,U3 Z5	U2,U4 Z8	---

NO.	REVISION	BY & DATE	CHK	TOLERANCES UNLESS SPECIFIED	
				DEC.	INCHES
				.X	±.1
				.XX	±.01
				.XXX	±.005
				.XXXX	±.0005
				ANG	±1/2°



ELECTRIC MOTORS
GEARMOTORS
AND DRIVES

DRAWN	RSK 09/09/96
CHK	
APPD	
SCALE	1=1
REF	005005-01
FMF	114964.00
PREV	

TITLE	EXTERNAL WIRING DIAGRAM TYPE "C" W/O PROTECTOR
MAT'L.	DECAL - 080642
FINISH	LEESON CANADA
CAD FILE	00539001
SIZE	A
DRAWING NO.	005390-01

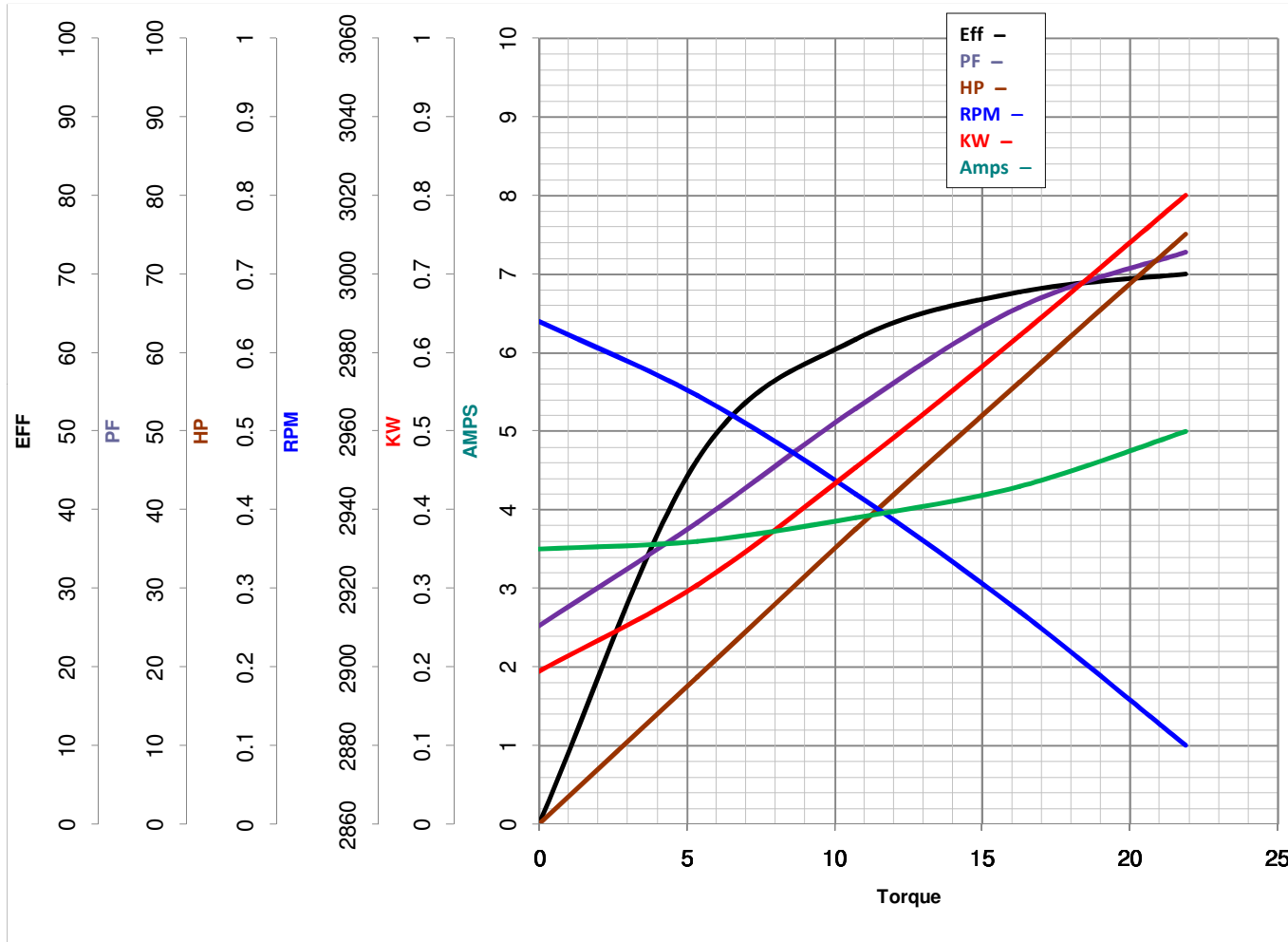


LEESON ELECTRIC CORPORATION
 TYPICAL PERFORMANCE CURVE for AC MOTOR

Model No 113918.00

Catalog No 113918.00

Curve at 220 Volts HP 0.76 PHASE 1
50 HZ
0.75 HP VOLTS 110/220
 HZ 50 RPM 2850



Torque in Oz.Ft

FL TORQUE 21.9 Oz.Ft
 BD TORQUE 58.4 Oz.Ft
 LR TORQUE 63.4 Oz.Ft

FL AMPS 11.2/5.6
 PU TORQUE 52.5 Oz.Ft
 LR AMPS 26.8

WINDING C632227-5

Date 3/27/2018