

PRODUCT INFORMATION PACKET



Model No: C6C28FB26G

Catalog No: 113917.00

1/2HP..37kW.2850RPM.56.IP54.110/220V.1PH.50HZ.CONT.NOT.40C.1SF.RIGID.50 HERTZ.C6C28FB26G
50 Hz



Regal and Leeson are trademarks of Regal Beloit Corporation or one of its affiliated companies.

©2018 Regal Beloit Corporation, All Rights Reserved. MC017097E





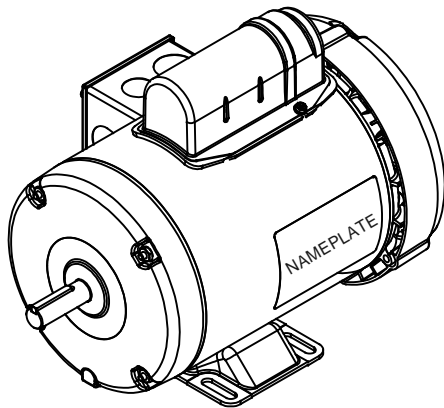
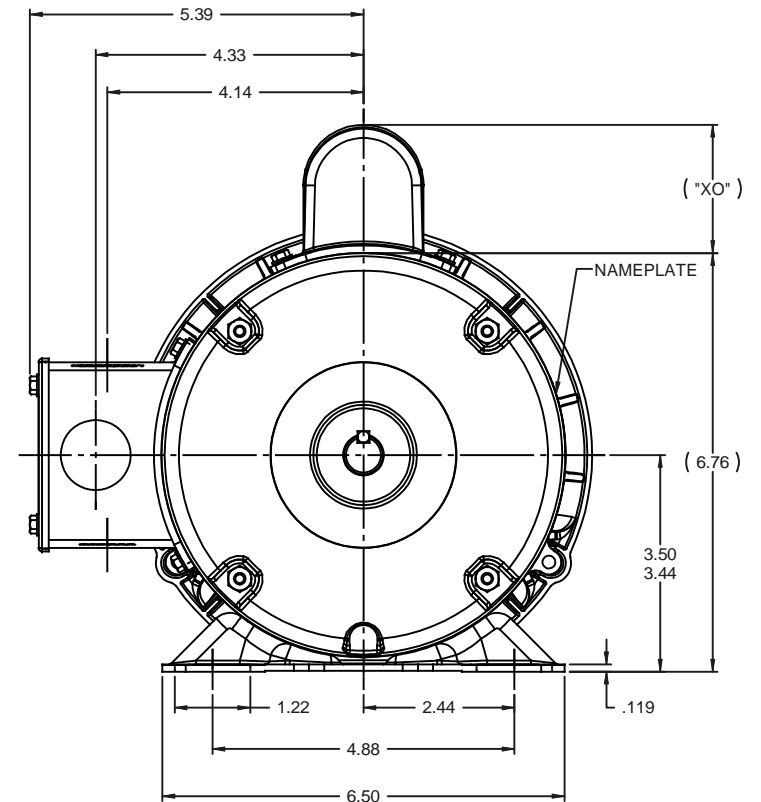
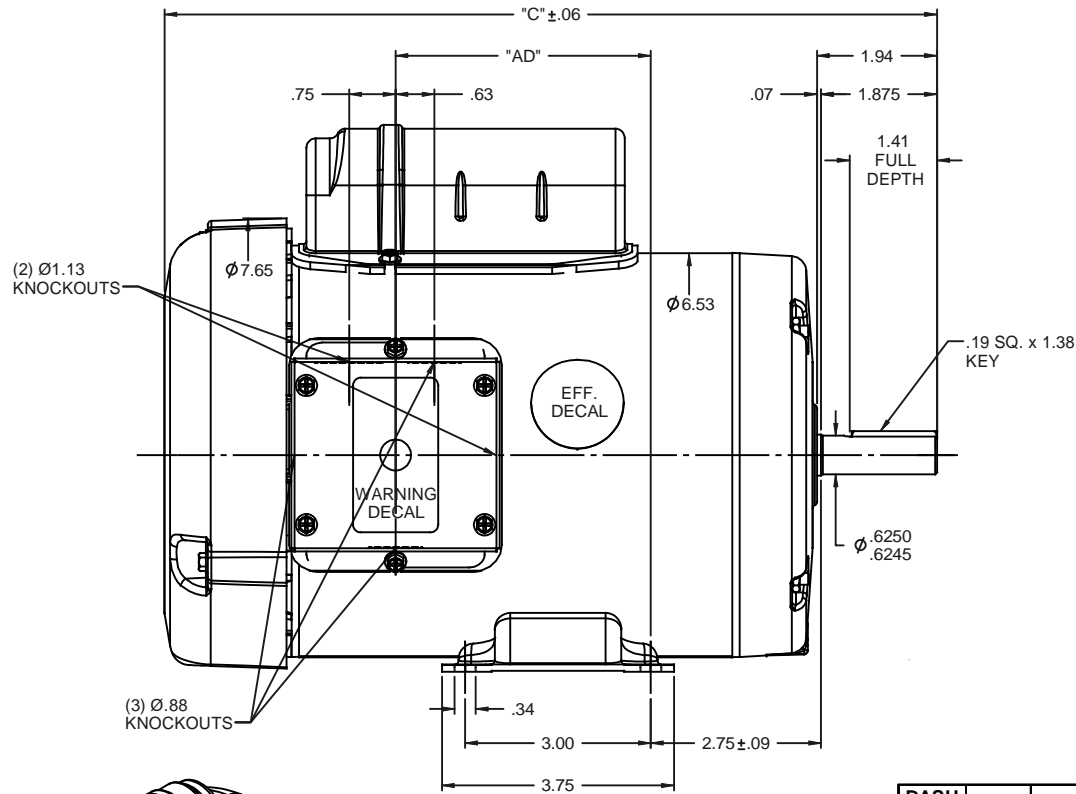
Nameplate Specifications

Output HP	0.50 Hp	Output KW	0.37 kW
Frequency	50 Hz	Voltage	110/220 V
Current	7.6/3.8 A	Speed	2850 rpm
Service Factor	1	Phase	1
Efficiency	70 %	Duty	Continuous
Insulation Class	B	Design Code	N
KVA Code	K	Frame	56
Enclosure	Totally Enclosed Fan Cooled	Overload Protector	No
Ambient Temperature	40 °C	Drive End Bearing Size	6203
Opp Drive End Bearing Size	6203	UL	Recognized
CSA	Y	CE	Y
IP Code	54		

Technical Specifications

Electrical Type	Capacitor Start Induction Run	Starting Method	Across The Line
Poles	2	Rotation	Selective Counterclockwise
Mounting	Rigid base	Motor Orientation	HORIZONTAL
Drive End Bearing	BALL	Opp Drive End Bearing	BALL
Frame Material	Rolled Steel	Shaft Type	NEMA 56
Overall Length	11.48 in	Frame Length	6.00 in
Shaft Diameter	0.625 in	Shaft Extension	1.88 in
Assembly/Box Mounting	F1 ONLY		
Outline Drawing	028797-600A	Connection Diagram	005390.01

This is an uncontrolled document once printed or downloaded and is subject to change without notice. Date Created: 10/15/2018

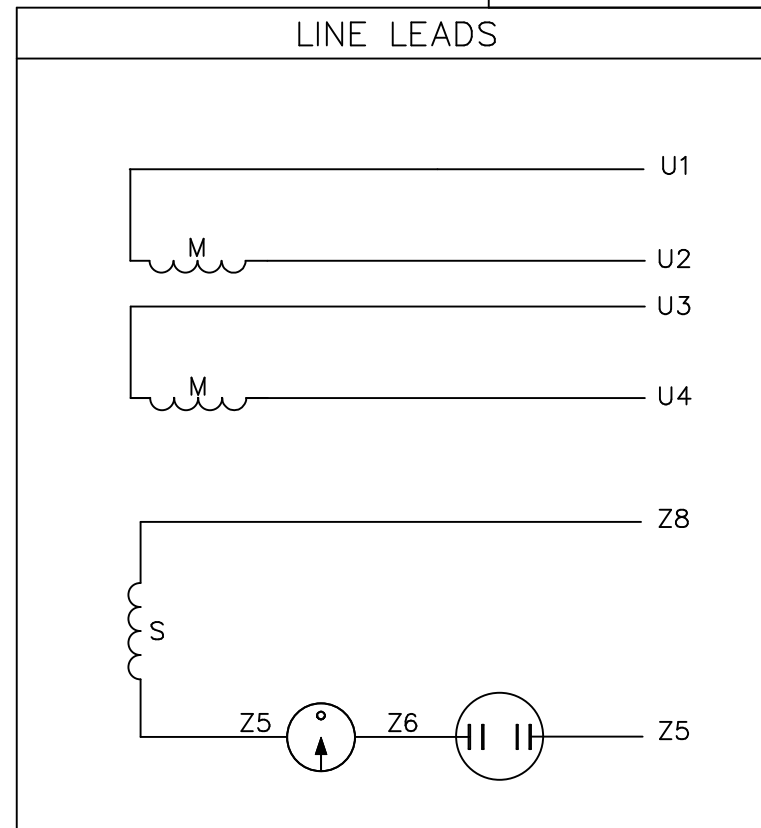
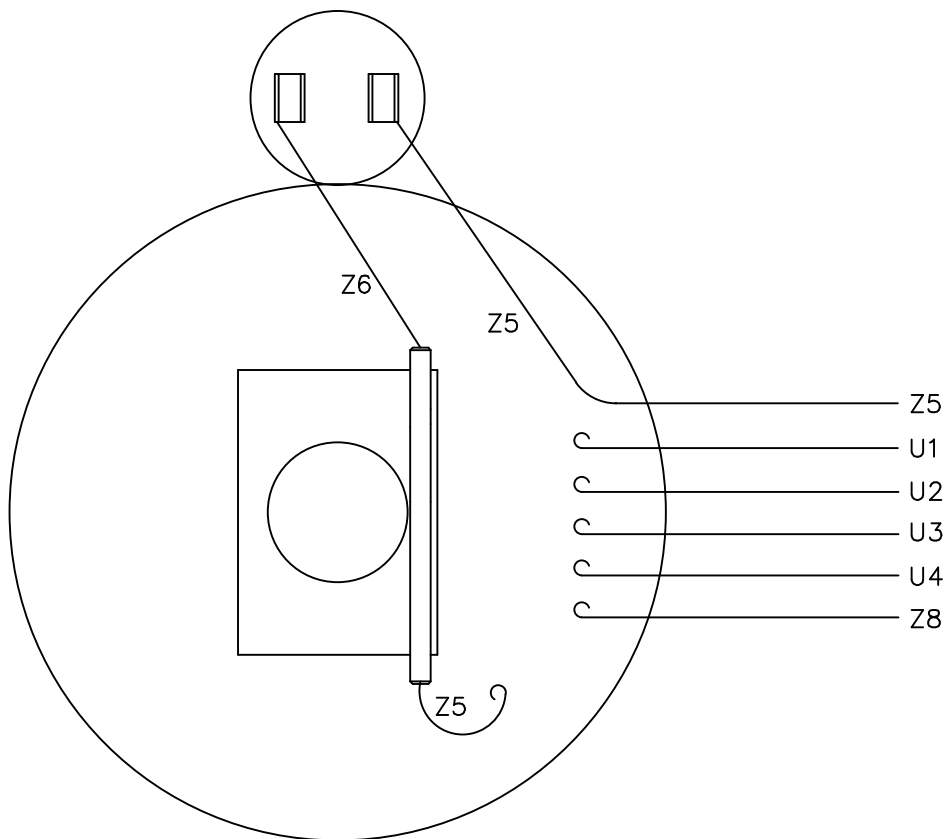


DASH NO.	"C"	"AD"	CAP DASH	"XO"
500	10.48	2.13	A	1.61
550	10.98	2.63	B	2.08
600	11.48	3.13	C	2.32
650	11.98	3.63		
700	12.48	4.13		
750	12.98	4.63		

NOTES:
 1) GASKETS THROUGHOUT

REVISION		BY & DATE	CHK	ANG	FINISH	SCALE	PAGE	OF	REV																	
01	ADDED ISOMETRIC VIEW AS PER ISAAC #08-4017	GRB/ 9/5/2008	DJ	xxx	±.0005	MATL	1	1	01																	
<table border="0"> <tr> <td>TOLERANCES UNLESS SPECIFIED:</td> <td>DEC</td> <td>INCHES</td> </tr> <tr> <td>x</td> <td>±.1</td> <td></td> </tr> <tr> <td>.xx</td> <td>±.03</td> <td></td> </tr> <tr> <td>.xxx</td> <td>±.005</td> <td></td> </tr> <tr> <td>.xxx</td> <td>±.0005</td> <td></td> </tr> </table>						TOLERANCES UNLESS SPECIFIED:	DEC	INCHES	x	±.1		.xx	±.03		.xxx	±.005		.xxx	±.0005				ELECTRIC MOTORS GEARMOTORS AND DRIVES		DRAWN: KMM 09/18/07 CHK: APPR: REF: 028612 FMF: 110094.00	
TOLERANCES UNLESS SPECIFIED:	DEC	INCHES																								
x	±.1																									
.xx	±.03																									
.xxx	±.005																									
.xxx	±.0005																									
TITLE: OUTLINE - 56 FRAME TEFC - RIGID						SCALE: 1:2		REF: 028612																		
FINISH: GENERAL PURPOSE						PAGE: 1 OF 1		REV: 01																		
NETWORK FILE NAME						SIZE: B		DRAWING NO: 028797																		

VIEW FROM OUTSIDE OF MOTOR AT SWITCH END.



	ROTATION FACING LEAD END	L1	L2	JOIN
HIGH VOLT	C.C.W.	U1	U4 Z5	U2,U3 Z8
	C.W.	U1	U4 Z8	U2,U3 Z5
LOW VOLT	C.C.W.	U1,U3 Z8	U2,U4 Z5	---
	C.W.	U1,U3 Z5	U2,U4 Z8	---

NO.	REVISION	BY & DATE	CHK	TOLERANCES UNLESS SPECIFIED	
				DEC.	INCHES
				.X	±.1
				.XX	±.01
				.XXX	±.005
				.XXXX	±.0005
				ANG	±1/2°



ELECTRIC MOTORS
GEARMOTORS
AND DRIVES

DRAWN	RSK 09/09/96
CHK	
APPD	
SCALE	1=1
REF	005005-01
FMF	114964.00
PREV	

TITLE	EXTERNAL WIRING DIAGRAM TYPE "C" W/O PROTECTOR
MAT'L.	DECAL - 080642
FINISH	LEESON CANADA
CAD FILE	00539001
SIZE	A
DRAWING NO.	005390-01



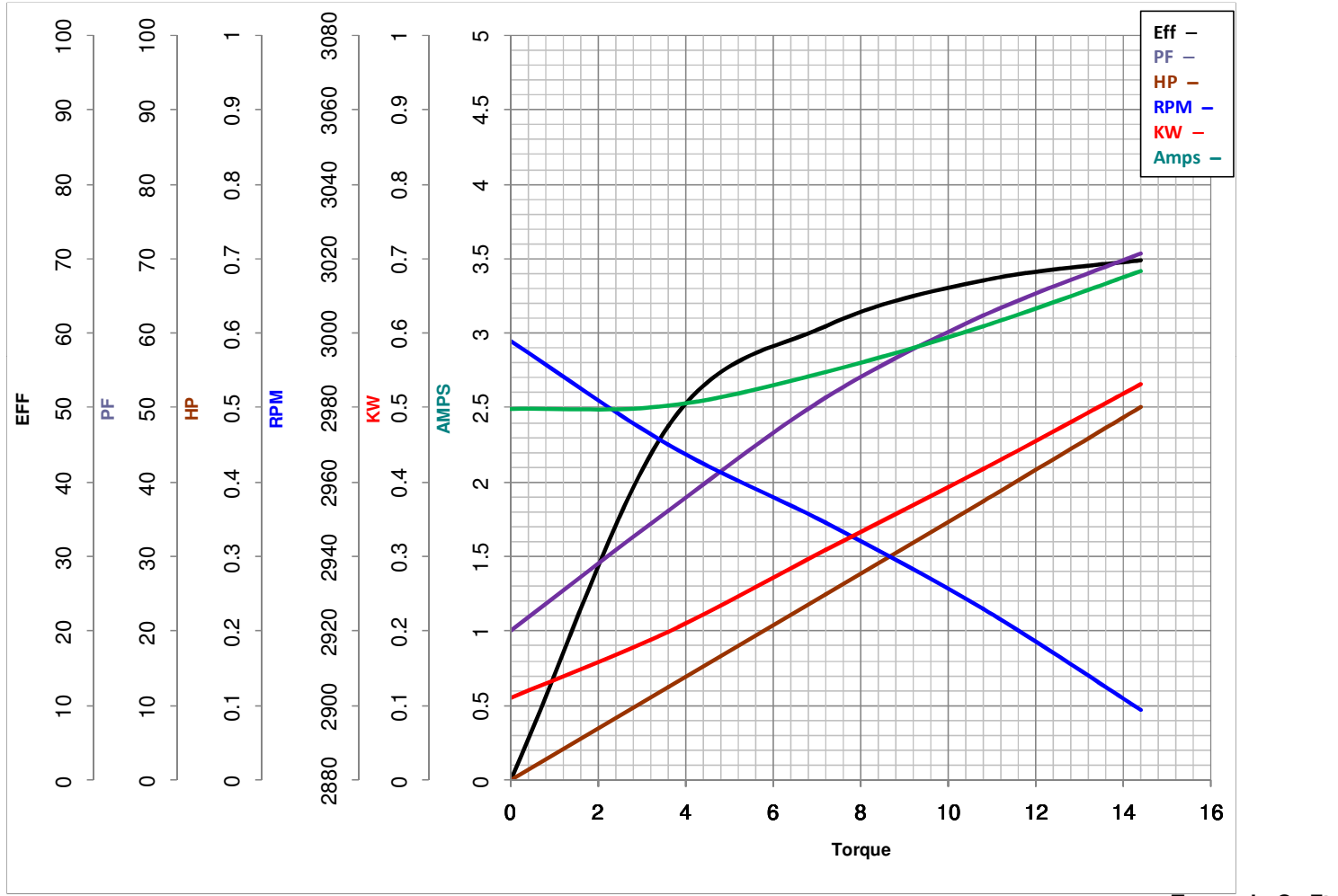
LEESON ELECTRIC CORPORATION
 TYPICAL PERFORMANCE CURVE for AC MOTOR

Model No 113917.00

Catalog No 113917.00

Curve at 220 Volts HP 0.50 PHASE 1
50 HZ
0.5 HP VOLTS 110/220

HZ 50 RPM 2850



FL TORQUE	<u>14.4</u> Oz.Ft	FL AMPS	<u>7.6/3.8</u>
BD TORQUE	<u>45.0</u> Oz.Ft	PU TORQUE	<u>36.0</u> Oz.Ft
LR TORQUE	<u>50</u> Oz.Ft	LR AMPS	<u>19</u>
WINDING	C632229-4	Date	4/23/2018