

PRODUCT INFORMATION PACKET



Model No: C6C28FB25F

Catalog No: 113916.00

1/3HP..25kW.2850RPM.56.IP54..V.1PH.50HZ.CONT.NOT.40C.1.0SF.RIGID.50 HERTZ.C6C28FB25F
50 Hz



Regal and Leeson are trademarks of Regal Beloit Corporation or one of its affiliated companies.

©2018 Regal Beloit Corporation, All Rights Reserved. MC017097E





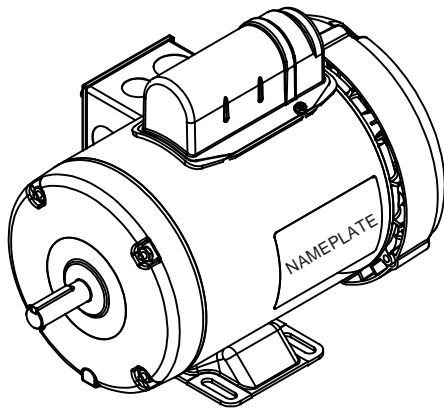
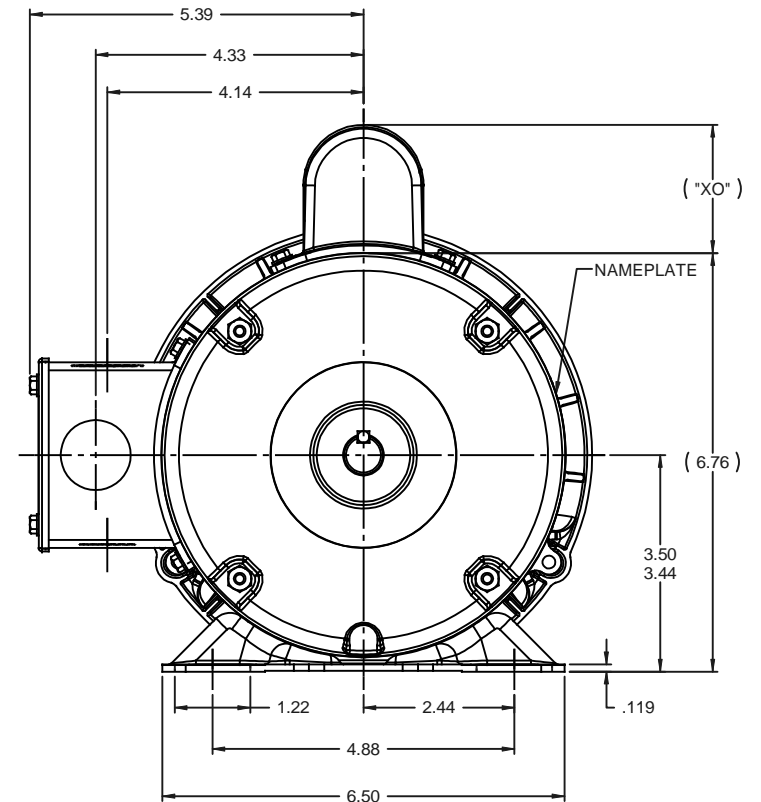
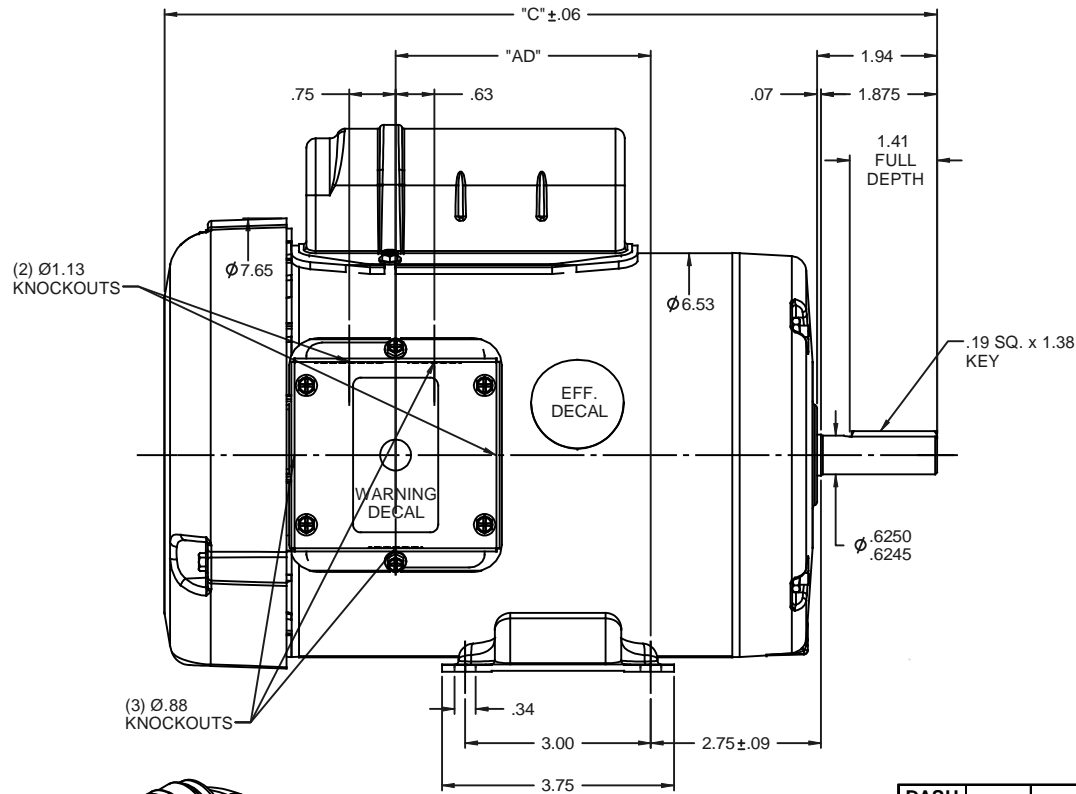
Nameplate Specifications

Output HP	0.33 Hp	Output KW	0.25 kW
Frequency	50 Hz	Voltage	110/220 V
Current	6.4/3.2 A	Speed	2850 rpm
Service Factor	1	Phase	1
Efficiency	56 %	Duty	Continuous
Insulation Class	B	Design Code	N
KVA Code	N	Frame	56
Enclosure	Totally Enclosed Fan Cooled	Overload Protector	No
Ambient Temperature	40 °C	Drive End Bearing Size	6203
Opp Drive End Bearing Size	6203	UL	Recognized
CSA	Y	CE	Y
IP Code	54		

Technical Specifications

Electrical Type	Capacitor Start Induction Run	Starting Method	Across The Line
Poles	2	Rotation	Selective Counterclockwise
Mounting	Rigid base	Motor Orientation	HORIZONTAL
Drive End Bearing	BALL	Opp Drive End Bearing	BALL
Frame Material	Rolled Steel	Shaft Type	NEMA 56
Overall Length	10.98 in	Frame Length	5.50 in
Shaft Diameter	0.625 in	Shaft Extension	1.88 in
Assembly/Box Mounting	F1 ONLY		
Outline Drawing	028797-550A	Connection Diagram	005390.01

This is an uncontrolled document once printed or downloaded and is subject to change without notice. Date Created: 10/15/2018



DASH NO.	"C"	"AD"	CAP DASH	"XO"
500	10.48	2.13	A	1.61
550	10.98	2.63	B	2.08
600	11.48	3.13	C	2.32
650	11.98	3.63		
700	12.48	4.13		
750	12.98	4.63		

NOTES:
 1) GASKETS THROUGHOUT

REVISION		BY & DATE	CHK	ANG	FINISH	SCALE	PAGE	OF	REV
01	ADDED ISOMETRIC VIEW AS PER ISAAC #08-4017	GRB/ 9/5/2008	DJ	xxx	±.0005	MATL	1	1	01
THIRD ANGLE PROJECTION									
REVISION		BY & DATE	CHK	ANG	±1/2"	FINISH	PAGE 1 OF 1		REV
THIRD ANGLE PROJECTION							DRAWING NO		
RFP							B		
NETWORK FILE NAME							028797		

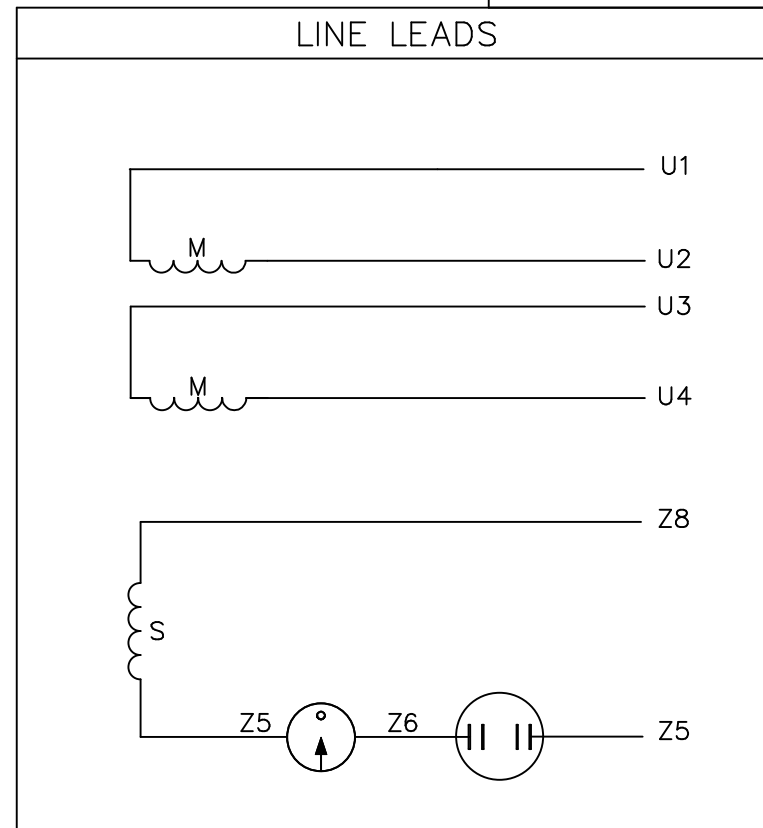
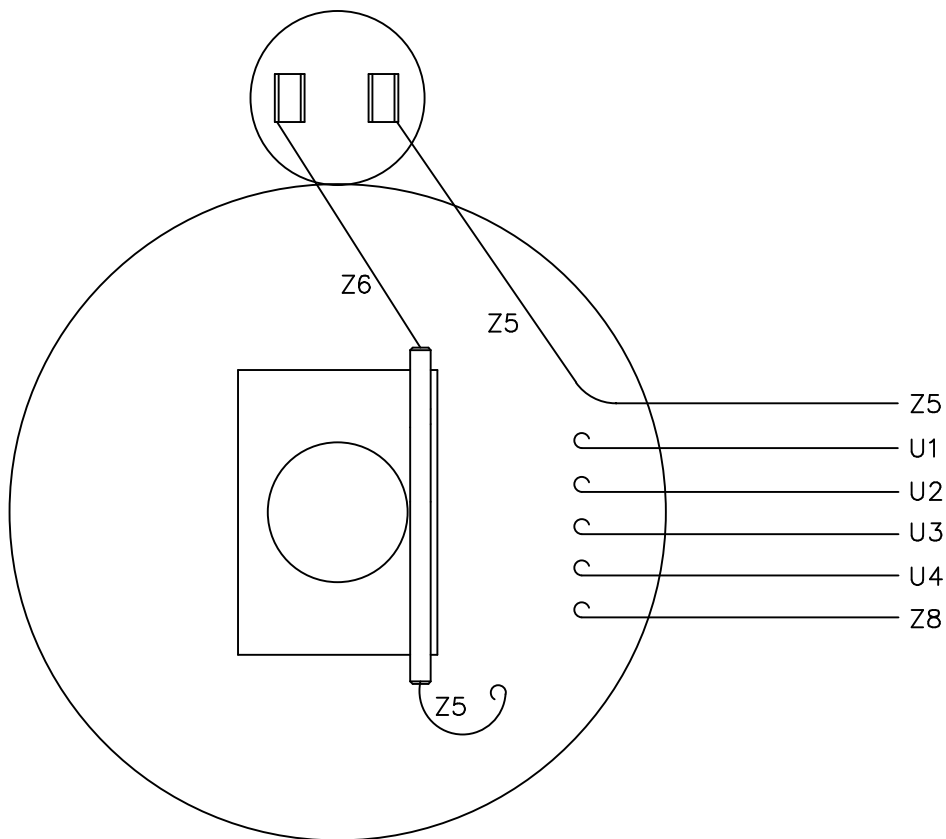


**ELECTRIC MOTORS
 GEARMOTORS
 AND DRIVES**

DRAWN: KMM 09/18/07
 CHK
 APPR

TITLE: OUTLINE - 56 FRAME
 TEFC - RIGID
 REF: 028612
 SCALE: 1:2
 FMF: 110094.00

VIEW FROM OUTSIDE OF MOTOR AT SWITCH END.



	ROTATION FACING LEAD END	L1	L2	JOIN
HIGH VOLT	C.C.W.	U1	U4 Z5	U2,U3 Z8
	C.W.	U1	U4 Z8	U2,U3 Z5
LOW VOLT	C.C.W.	U1,U3 Z8	U2,U4 Z5	---
	C.W.	U1,U3 Z5	U2,U4 Z8	---

NO.	REVISION	BY & DATE	CHK	TOLERANCES UNLESS SPECIFIED	
				DEC.	INCHES
				.X	±.1
				.XX	±.01
				.XXX	±.005
				.XXXX	±.0005
				ANG	±1/2°



ELECTRIC MOTORS
GEARMOTORS
AND DRIVES

DRAWN	RSK 09/09/96
CHK	
APPD	
SCALE	1=1
REF	005005-01
FMF	114964.00
PREV	

TITLE	EXTERNAL WIRING DIAGRAM TYPE "C" W/O PROTECTOR
MAT'L.	DECAL - 080642
FINISH	LEESON CANADA

THIS DRAWING IN DESIGN AND DETAIL IS OUR PROPERTY AND MUST NOT BE USED EXCEPT IN CONNECTION WITH OUR WORK ALL RIGHTS OF DESIGN AND INVENTION ARE RESERVED THIS IS AN ELECTRONICALLY GENERATED DOCUMENT - DO NOT SCALE THIS PRINT		RFP	CAD FILE	00539001	SIZE	DRAWING NO.	REV.
		DIST			A	005390-01	

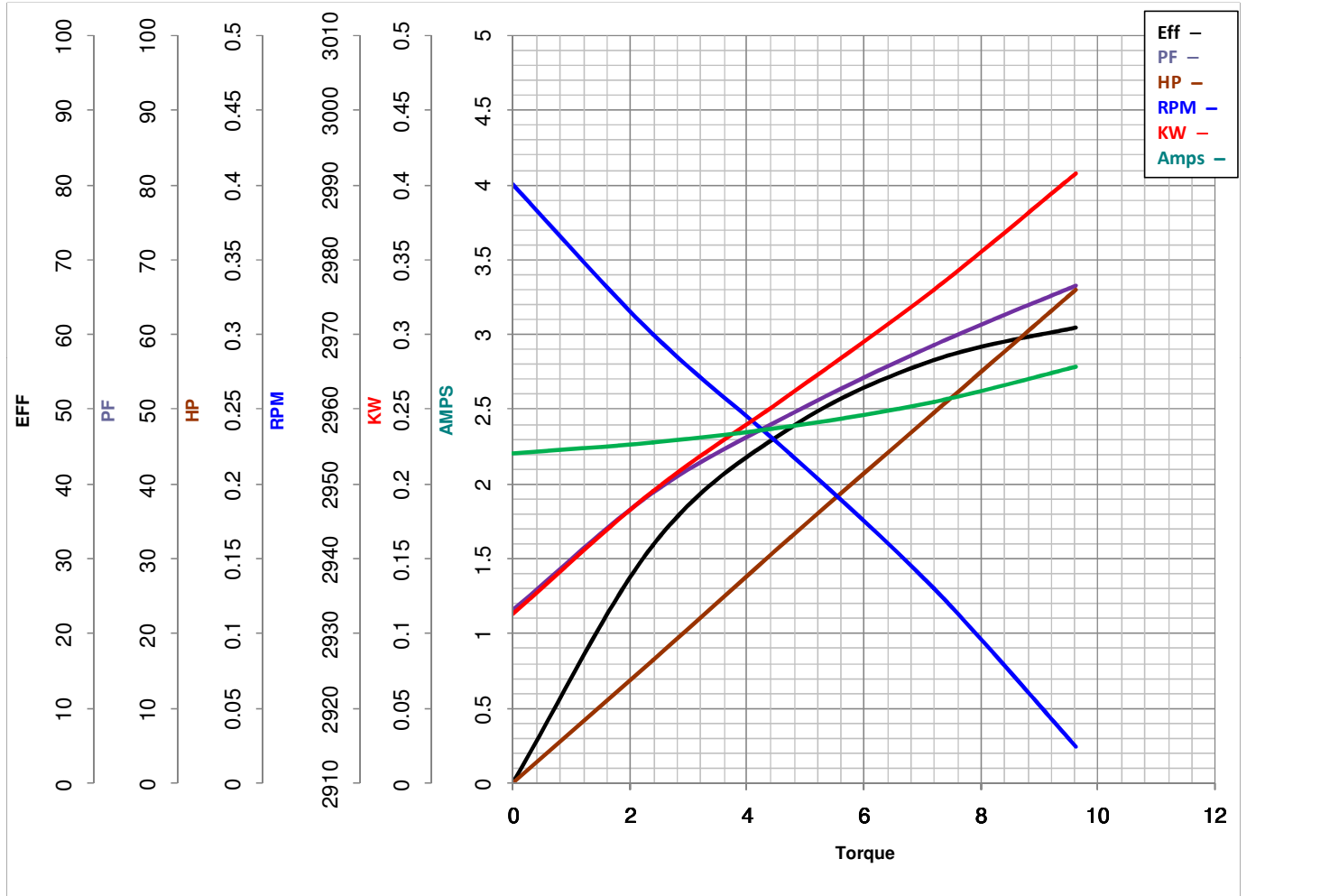


LEESON ELECTRIC CORPORATION
TYPICAL PERFORMANCE CURVE for AC MOTOR

Model No 113916.00

Catalog No 113916.00

Curve at 220 Volts HP 0.33 PHASE 1
50 HZ
0.33 HP VOLTS 110/220
HZ 50 RPM 2850



Torque in Oz.Ft

FL TORQUE 9.63 Oz.Ft
 BD TORQUE 31.4 Oz.Ft
 LR TORQUE 36.53 Oz.Ft

FL AMPS 6.4/3.2
 PU TORQUE 30.9 Oz.Ft
 LR AMPS 15.4

WINDING C632228-4

Date 4/12/2018