

# PRODUCT INFORMATION PACKET



Model No: M6C14FB22E

Catalog No: 113908.00

1/3HP..25kW.1425RPM.56.IP54./V.1PH.50HZ.CONT.MANUAL.40C.1.0SF.RIGID.50 HERTZ.M6C14FB22E  
50 Hz



Regal and Leeson are trademarks of Regal Beloit Corporation or one of its affiliated companies.

©2018 Regal Beloit Corporation, All Rights Reserved. MC017097E





### Nameplate Specifications

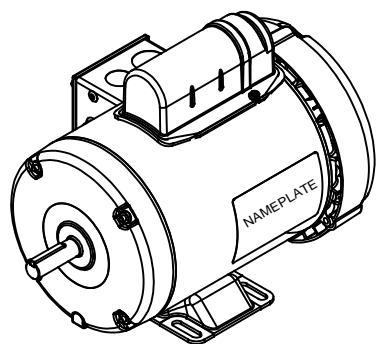
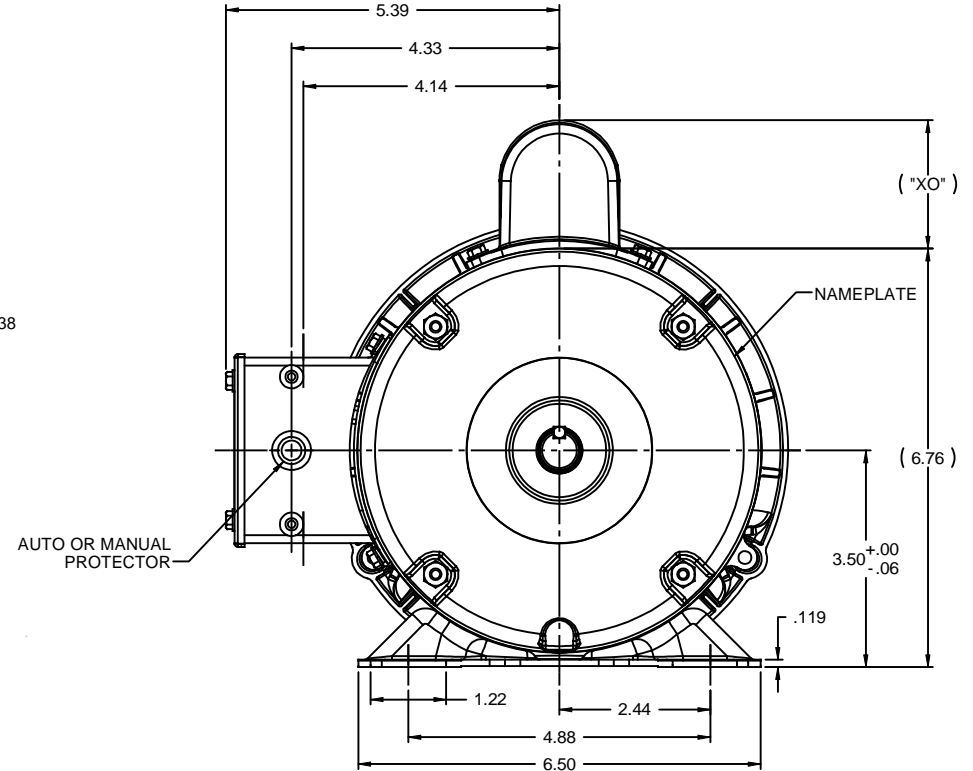
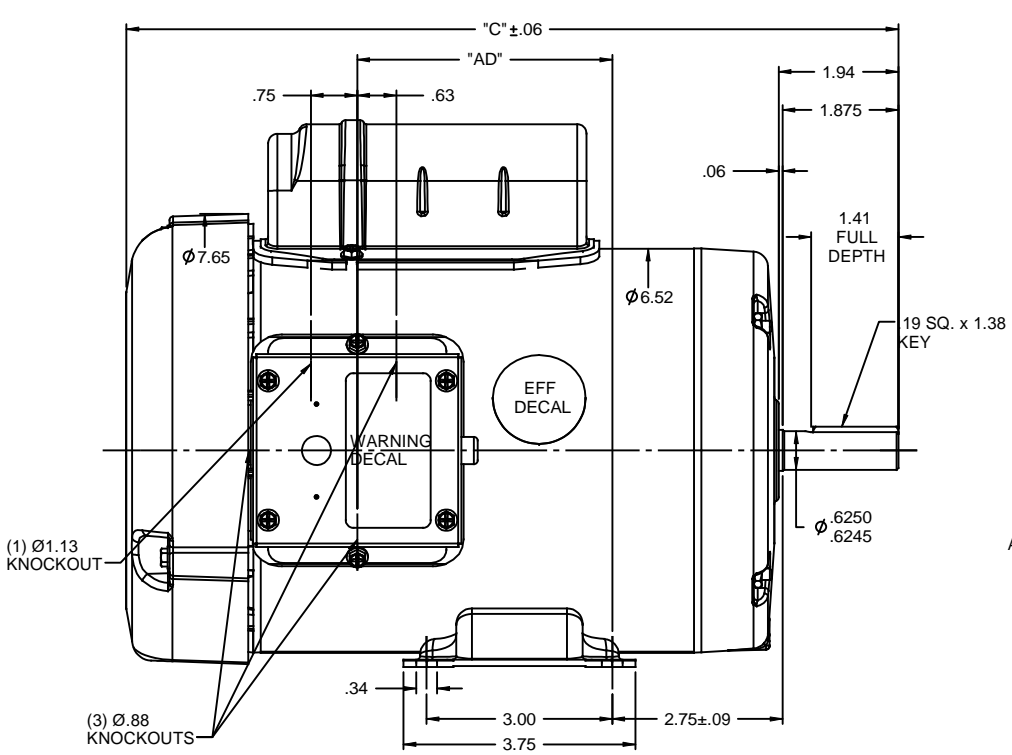
Output HP	<b>0.33 Hp</b>	Output KW	<b>0.25 kW</b>
Frequency	<b>50 Hz</b>	Voltage	<b>110/220 V</b>
Current	<b>6.4/3.2 A</b>	Speed	<b>1425 rpm</b>
Service Factor	<b>1</b>	Phase	<b>1</b>
Efficiency	<b>65.3 %</b>	Duty	<b>Continuous</b>
Insulation Class	<b>B</b>	Design Code	<b>NO DESIGN CODE</b>
KVA Code	<b>L</b>	Frame	<b>56</b>
Enclosure	<b>Totally Enclosed Fan Cooled</b>	Overload Protector	<b>Manual</b>
Ambient Temperature	<b>40 °C</b>	Drive End Bearing Size	<b>6203</b>
Opp Drive End Bearing Size	<b>6203</b>	UL	<b>Recognized</b>
CSA	<b>Y</b>	CE	<b>Y</b>
IP Code	<b>54</b>		

### Technical Specifications

Electrical Type	<b>Capacitor Start Induction Run</b>	Starting Method	<b>Across The Line</b>
Poles	<b>4</b>	Rotation	<b>Selective Counterclockwise</b>
Mounting	<b>Rigid base</b>	Motor Orientation	<b>HORIZONTAL</b>
Drive End Bearing	<b>BALL</b>	Opp Drive End Bearing	<b>BALL</b>
Frame Material	<b>Rolled Steel</b>	Shaft Type	<b>NEMA 56</b>
Overall Length	<b>10.98 in</b>	Frame Length	<b>5.50 in</b>
Shaft Diameter	<b>0.625 in</b>	Shaft Extension	<b>1.88 in</b>
Assembly/Box Mounting	<b>F1 ONLY</b>		
Outline Drawing	<b>028879-550A</b>	Connection Diagram	<b>005382.02</b>

**This is an uncontrolled document once printed or downloaded and is subject to change without notice. Date Created: 10/15/2018**

RBC PROPRIETARY AND CONFIDENTIAL INFORMATION  
 This document is the property of REGAL BELOIT CORPORATION ("RBC") including its subsidiaries and divisions and contains proprietary information of RBC. This document is loaned on the express condition that neither it nor the information contained therein shall be disclosed to others without the express written consent of RBC, and that the information shall be used by the recipient only as approved expressly by RBC. This document shall be returned to RBC upon its request. This document may be subject to certain restrictions under U.S. export control laws and regulations.

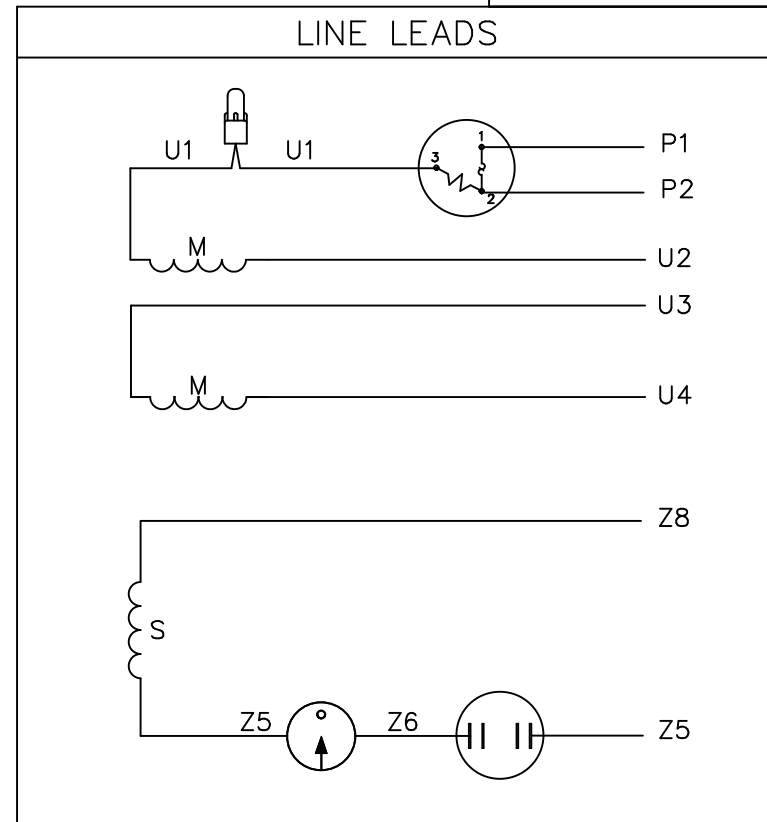
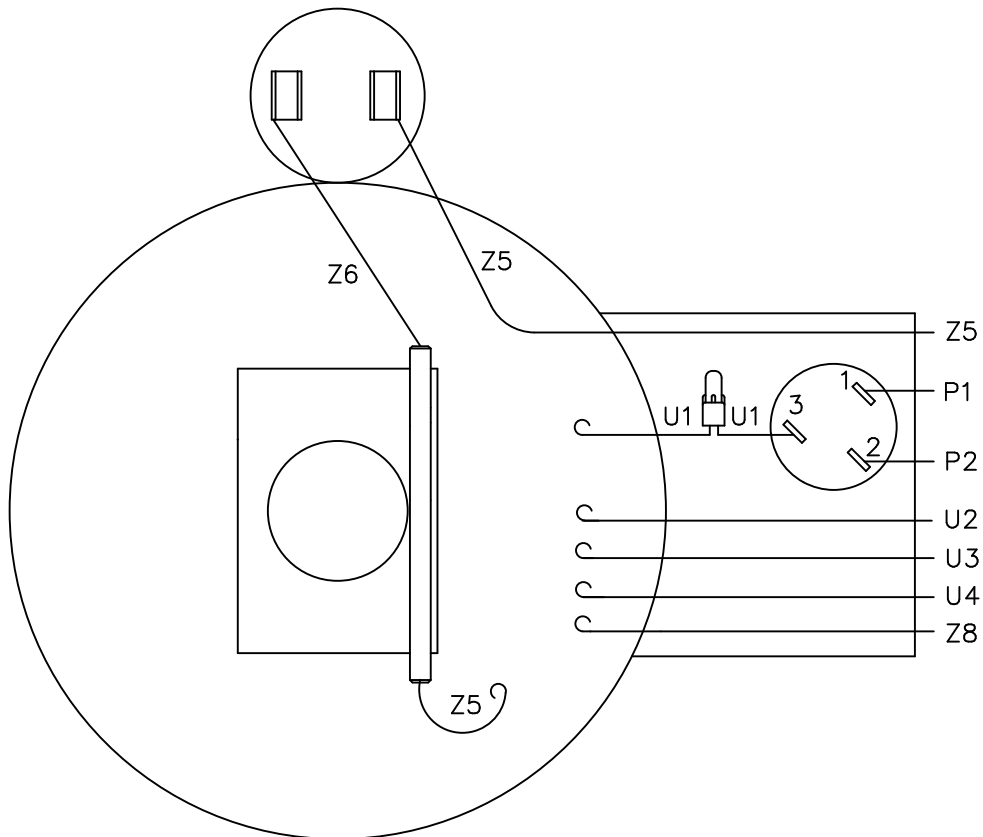


DASH NO.	"C"	"AD"	CAP DASH	"XO"
500	10.48	2.13	A	1.61
550	10.98	2.63	B	2.08
600	11.48	3.13	C	2.32
650	11.98	3.63		
700	12.48	4.13		

NOTES:  
 1) GASKETS THROUGHOUT

TOLERANCES UNLESS SPECIFIED:		ELECTRIC MOTORS GEARMOTORS AND DRIVES		DRAWN						
DEC	INCHES			DJ 09/04/08						
X	±.1			CHK						
XX	±.03			APPR						
XXX	±.005	TITLE	OUTLINE - 56 FRAME	SCALE	1:2					
			TEFC - RIGID	REF	028793					
01	ADD "AUTO OR MAN. PROT." PER ISAAC 09-5354	LST	12/16/2009	XX	XXXXX ±.0005	MATL		FMF	110017.00	
NO	REVISION	BY & DATE	CHK	ANG	±1/2"	FINISH	GENERAL PURPOSE	PAGE	OF	
			RFP			PREV		SIZE	DRAWING NO	REV
	THIRD ANGLE PROJECTION							B	028879	01
						NETWORK FILE NAME				

VIEW FROM OUTSIDE OF MOTOR AT SWITCH END.



	ROTATION FACING LEAD END	L1	L2	JOIN	INSULATE SEPARATELY
HIGH VOLT	C.C.W.	P1	U4 Z5	U2,U3 Z8	P2
	C.W.	P1	U4 Z8	U2,U3 Z5	P2
LOW VOLT	C.C.W.	P1	U2,U4 Z5	P2,U3 Z8	--
	C.W.	P1	U2,U4 Z8	P2,U3 Z5	--

NO.	REVISION	BY & DATE	CHK	TOLERANCES UNLESS SPECIFIED	
				DEC.	INCHES
				.X	±.1
				.XX	±.01
				.XXX	±.005
				.XXXX	±.0005
				ANG	±1/2°



ELECTRIC MOTORS  
GEARMOTORS  
AND DRIVES

DRAWN	PJM 4/02/96
CHK	
APPD	
SCALE	1=1
REF	005382-01
FMF	114831
PREV	

TITLE	EXTERNAL WIRING DIAGRAM TYPE "C" W/PROTECTOR
MAT'L.	DECAL - 080600 IEC LEAD MARKING
FINISH	

THIS DRAWING IN DESIGN AND DETAIL IS OUR PROPERTY AND MUST NOT BE USED EXCEPT IN CONNECTION WITH OUR WORK ALL RIGHTS OF DESIGN AND INVENTION ARE RESERVED THIS IS AN ELECTRONICALLY GENERATED DOCUMENT - DO NOT SCALE THIS PRINT		RFP	CAD FILE	00538202	SIZE	DRAWING NO.	REV.
		DIST			A	005382-02	

```
ERROR: syntaxerror
OFFENDING COMMAND: --nostringval--
STACK :
  /im
  -savelevel -
```

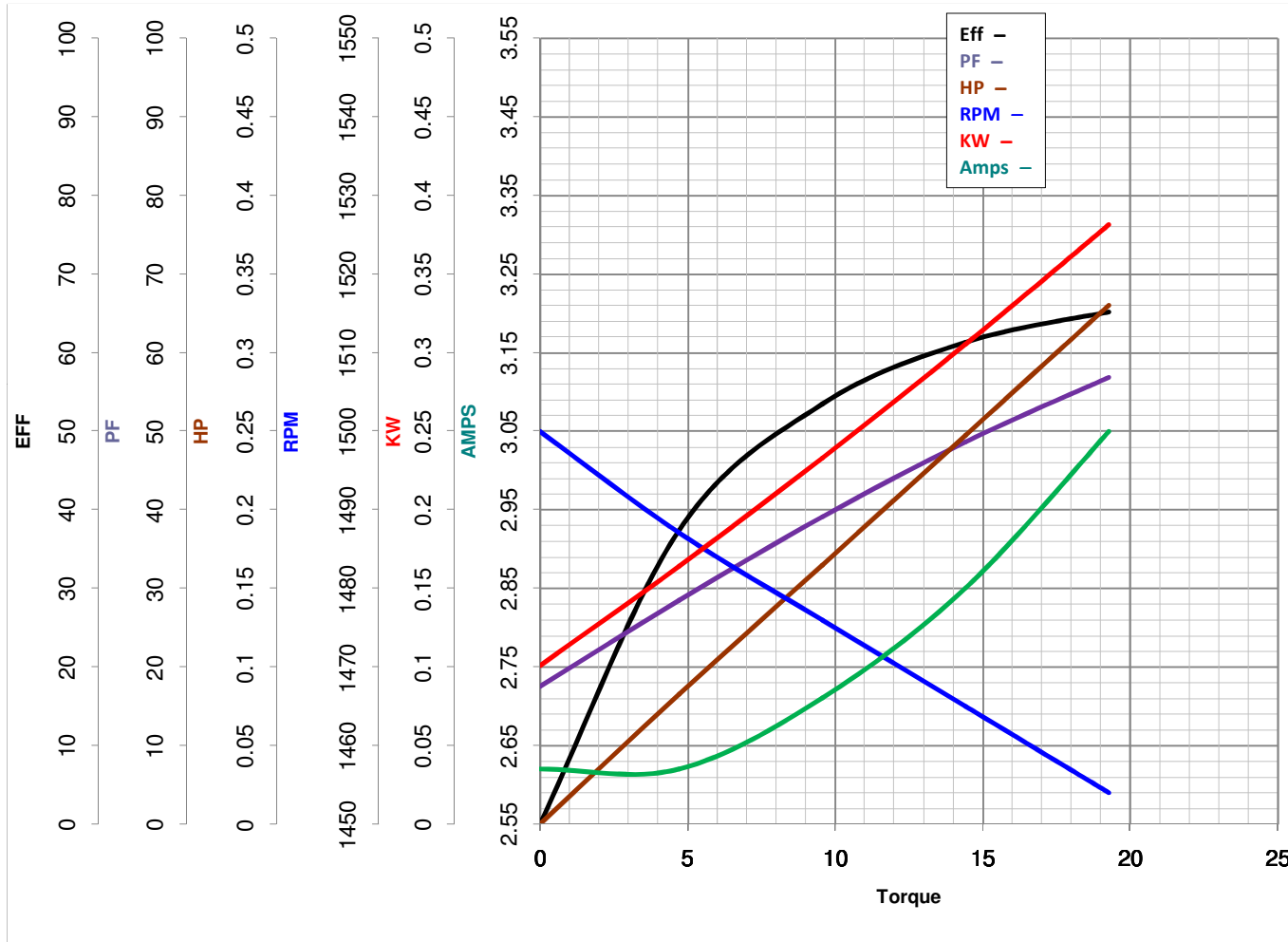


**LEESON ELECTRIC CORPORATION**  
TYPICAL PERFORMANCE CURVE for AC MOTOR

Model No 113908.00

Catalog No 113908.00

Curve at 220 Volts      HP 0.34      PHASE 1  
50 HZ  
0.33 HP      VOLTS 110/220  
   HZ 50      RPM 1425



Torque in Oz.Ft

FL TORQUE 19.29 Oz.Ft  
 BD TORQUE 57.3 Oz.Ft  
 LR TORQUE 73.46 Oz.Ft

FL AMPS 6.4/3.2  
 PU TORQUE 56.7 Oz.Ft  
 LR AMPS 14.9

WINDING C634270-4

Date 3/16/2018