

# PRODUCT INFORMATION PACKET



Model No: M6K17FB33G

Catalog No: 113765.00

1/3HP..1725RPM.56.TEFC..V.1PH.60HZ.CONT.MANUAL.40C.1.15SF.RIGID.AG - FARM DUTY/GENERAL PURPOSE.M6K17FB33G

Totally Enclosed Fan Cooled (TEFC)



Regal and Leeson are trademarks of Regal Beloit Corporation or one of its affiliated companies.

©2018 Regal Beloit Corporation, All Rights Reserved. MC017097E





**Nameplate Specifications**

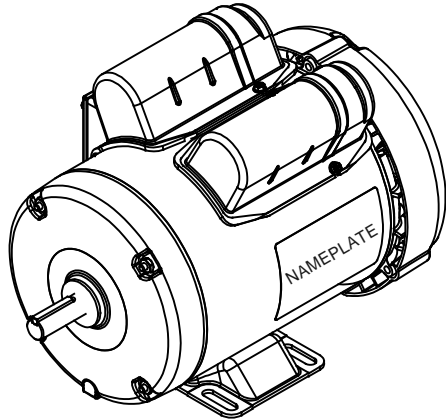
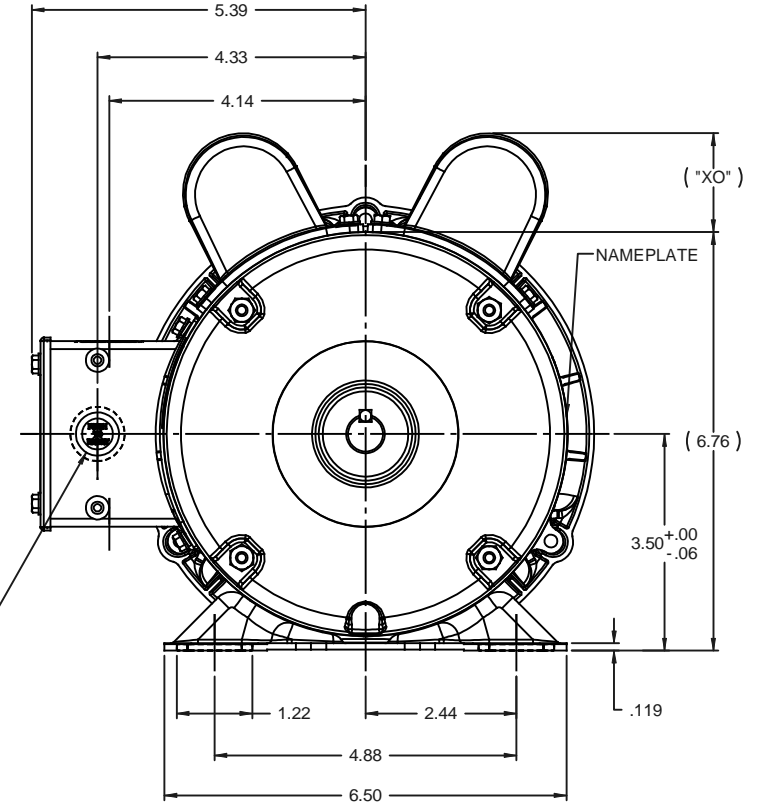
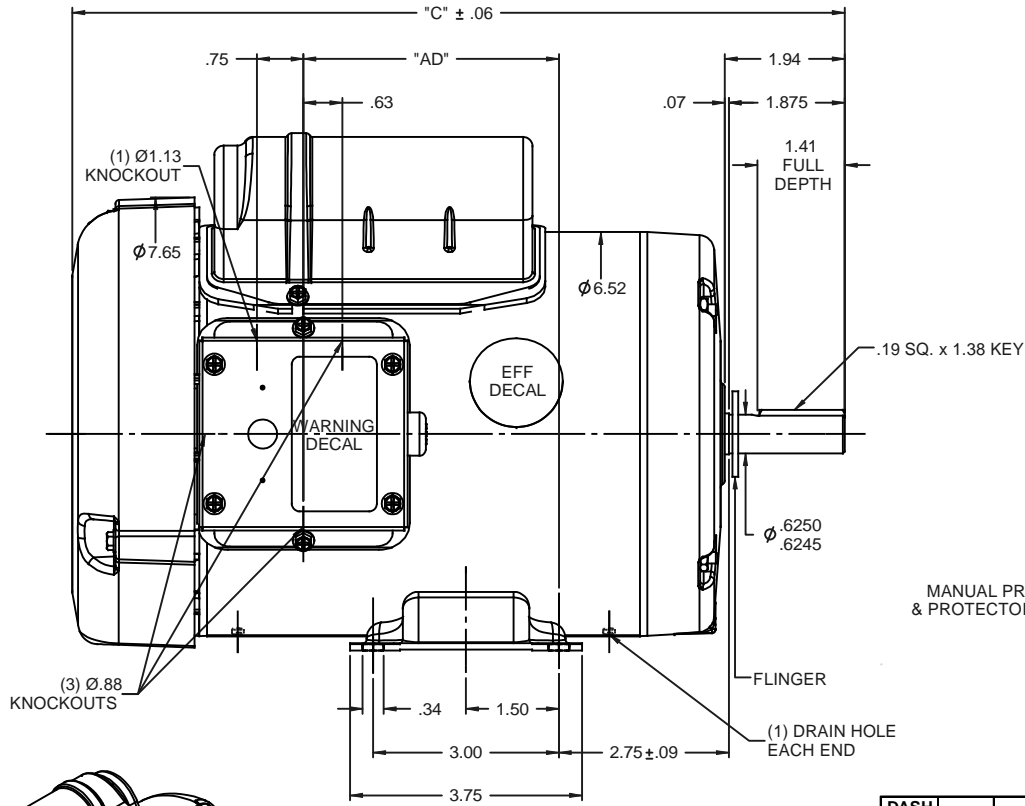
Output HP	<b>0.33 Hp</b>	Output KW	<b>0.25 kW</b>
Frequency	<b>60 Hz</b>	Voltage	<b>115/208-230 V</b>
Current	<b>3.4/1.7 A</b>	Speed	<b>1725 rpm</b>
Service Factor	<b>1.15</b>	Phase	<b>1</b>
Efficiency	<b>76 %</b>	Duty	<b>Continuous</b>
Insulation Class	<b>B</b>	Design Code	<b>N</b>
KVA Code	<b>J</b>	Frame	<b>56</b>
Enclosure	<b>Totally Enclosed Fan Cooled</b>	Overload Protector	<b>Manual</b>
Ambient Temperature	<b>40 °C</b>	Drive End Bearing Size	<b>6203</b>
Opp Drive End Bearing Size	<b>6203</b>	UL	<b>Recognized</b>
CSA	<b>Y</b>	CE	<b>N</b>
IP Code	<b>43</b>		

**Technical Specifications**

Electrical Type	<b>Capacitor Start Capacitor Run</b>	Starting Method	<b>Across The Line</b>
Poles	<b>4</b>	Rotation	<b>Selective Counterclockwise</b>
Mounting	<b>Rigid base</b>	Motor Orientation	<b>HORIZONTAL</b>
Drive End Bearing	<b>BALL</b>	Opp Drive End Bearing	<b>BALL</b>
Frame Material	<b>Rolled Steel</b>	Shaft Type	<b>NEMA 56</b>
Overall Length	<b>10.99 in</b>	Frame Length	<b>5.50 in</b>
Shaft Diameter	<b>0.625 in</b>	Shaft Extension	<b>1.88 in</b>
Assembly/Box Mounting	<b>F1 ONLY</b>		
Outline Drawing	<b>028809-550B</b>	Connection Diagram	<b>005053.02</b>

**This is an uncontrolled document once printed or downloaded and is subject to change without notice. Date Created: 10/15/2018**

RBC PROPRIETARY AND CONFIDENTIAL INFORMATION  
 This document is the property of REGAL BELOIT CORPORATION ("RBC") including its subsidiaries and divisions and contains proprietary information of RBC. This document is loaned on the express condition that neither it nor the information contained therein shall be disclosed to others without the express written consent of RBC, and that the information shall be used by the recipient only as approved expressly by RBC. This document shall be returned to RBC upon its request. This document may be subject to certain restrictions under U.S. export control laws and regulations.

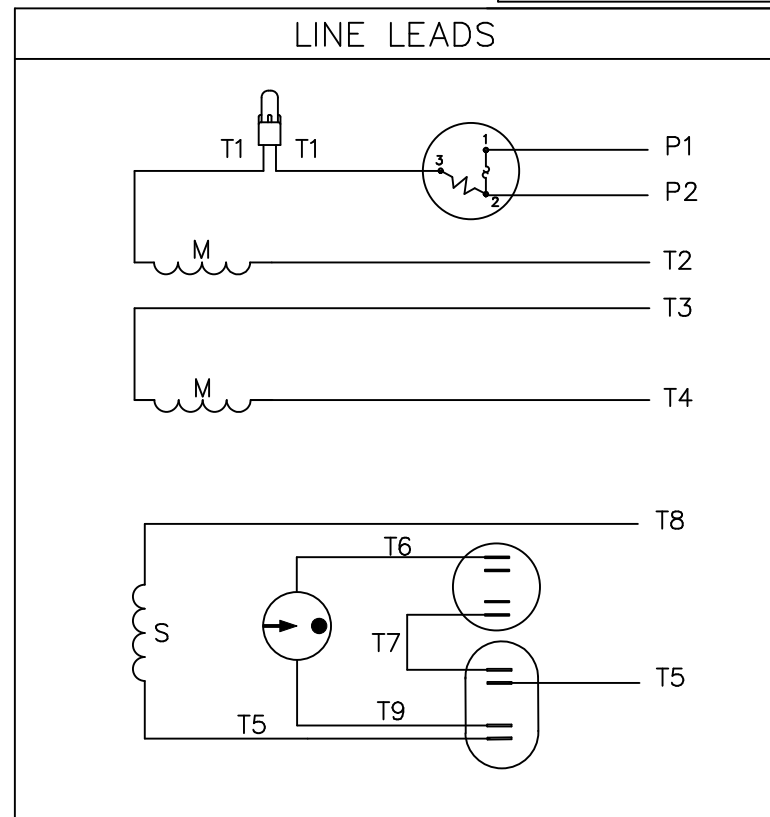
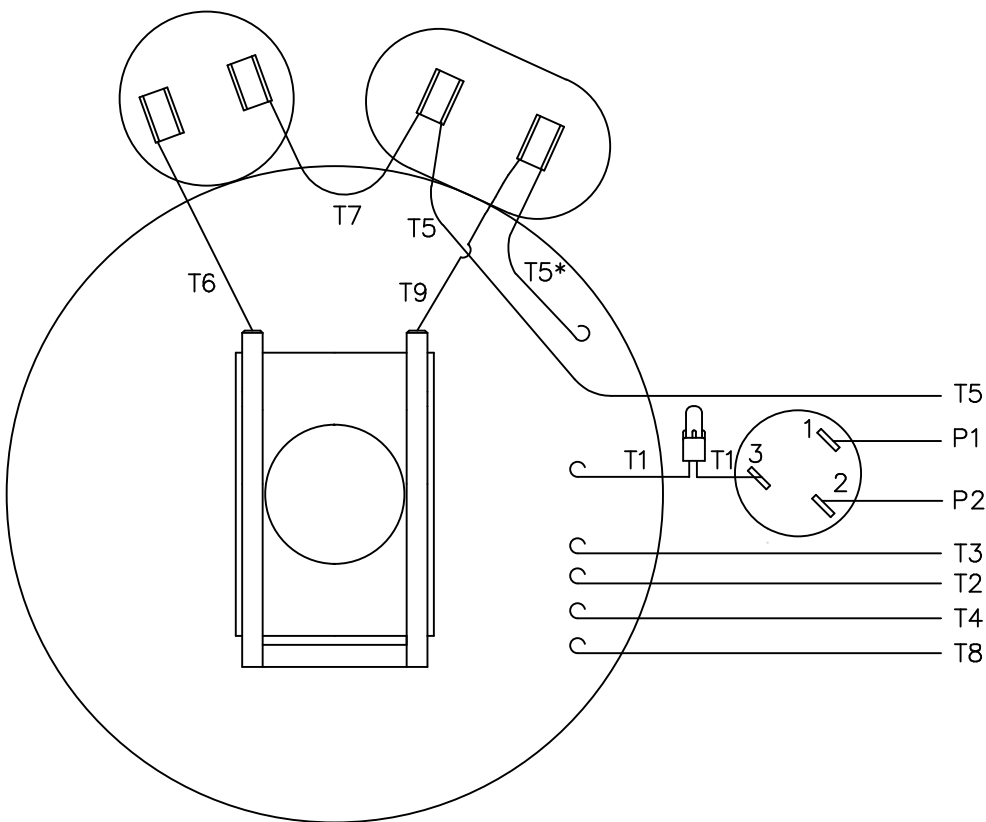


DASH NO.	"C"	"AD"	CAP DASH	"XO"
550	10.99	2.63		
600	11.49	3.13		
650	11.99	3.63		
700	12.49	4.13		
750	12.99	4.63	A	1.15
800	13.49	5.13	B	1.60
850	13.99	5.63	C	1.82

- NOTES:  
 1) MANUAL OVERLOAD PROTECTOR.  
 2) FLINGER ON SHAFT.  
 3) GASKETS THROUGHOUT.  
 4) DRAIN HOLE IN FRAME (BOTH ENDS).

REVISION		BY & DATE	CHK	ANG	±1/2"	FINISH	PREV	SIZE	DRAWING NO	REV
01	ADDED ITEM #550(113765.00), #600(113766.00), #650(113767.00) & ADDED NAMEPLATE VIEW	GRB 12/15/2008	DJ	XXX	±.005	MATL		B	028809	01
TOLERANCES UNLESS SPECIFIED:		DEC		INCHES		<b>ELECTRIC MOTORS GEARMOTORS AND DRIVES</b>				
TITLE		OUTLINE - 56 FRAME		TEFC - RIGID		DRAWN DWF 11/05/07				
SCALE		1:2		REF		033677				
PAGE		OF		FMF		113768				
NETWORK FILE NAME		RFP		PREV						

VIEW FROM OUTSIDE OF MOTOR AT SWITCH END.



	ROTATION FACING LEAD END	L1	L2	JOIN	INSULATE SEPARATELY
HIGH VOLT	C.C.W.	P1	T4 T5	T2,T3 T8	P2
	C.W.	P1	T4 T8	T2,T3 T5	P2
LOW VOLT	C.C.W.	P1	T2,T4 T5	P2,T3 T8	-----
	C.W.	P1	T2,T4 T8	P2,T3 T5	-----

\* THIS LEAD MAY BE WHITE

		TOLERANCES UNLESS SPECIFIED	
		DEC.	INCHES
		.X	±.1
		.XX	±.01
04	ADDED "*" TO T5	RLW 7/22/02	.XXX ±.005
03	REDRAWN ON CAD	DBT 05/27/97	.XXXX ±.0005
NO.	REVISION	BY & DATE	CHK ANG ±1/2"

**REGAL-BELOIT** *Motor Technologies Group*

REGAL-BELOIT Motor Technologies Group

**EXTERNAL WIRING DIAGRAM TYPE "K" W/PROTECTOR**

DECAL 004011

FINISH	CAD FILE	00505302	SIZE	DRAWING NO.	REV.
RFP	DIST		A	005053-02	04

DRAWN ADH 06/16/76  
CHK WRK 06/30/76  
APPD  
SCALE 1=1  
REF  
FMF 6K17FB8A  
PREV

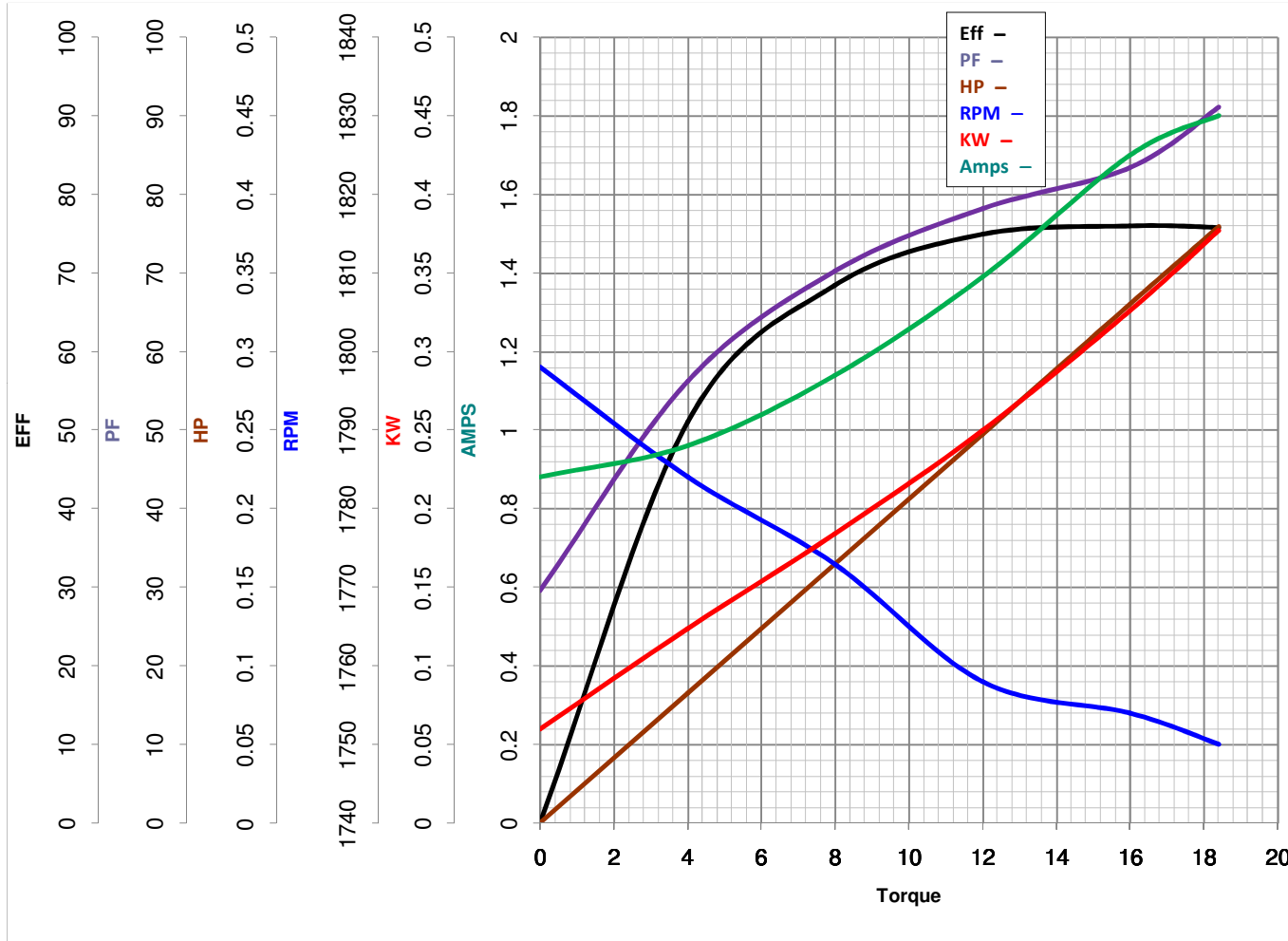


**LEESON ELECTRIC CORPORATION**  
TYPICAL PERFORMANCE CURVE for AC MOTOR

Curve at 230 Volts      HP 0.34      PHASE 1  
60 HZ  
0.33 HP      VOLTS 115/208-230  
HZ 60      RPM 1725

Model No 113765.00

Catalog No 113765.00



Torque in Oz.Ft

FL TORQUE 16 Oz.Ft  
BD TORQUE 44.0 Oz.Ft  
LR TORQUE 59 Oz.Ft

FL AMPS 3.4/1.7  
PU TORQUE 43.0 Oz.Ft  
LR AMPS 11.5

WINDING K634337-3

Date 4/12/2018