

# PRODUCT INFORMATION PACKET



Model No: M6P17DR4F  
Catalog No: 113642.00  
3/4HP..1625RPM.56H.DP./115V.1PH.60HZ.CONT.MANUAL.40C.1.0SF.RESIL.INSTANT  
REVERSING.M6P17DR4F  
Instant Reversing



Regal and Leeson are trademarks of Regal Beloit Corporation or one of its affiliated companies.  
©2018 Regal Beloit Corporation, All Rights Reserved. MC017097E





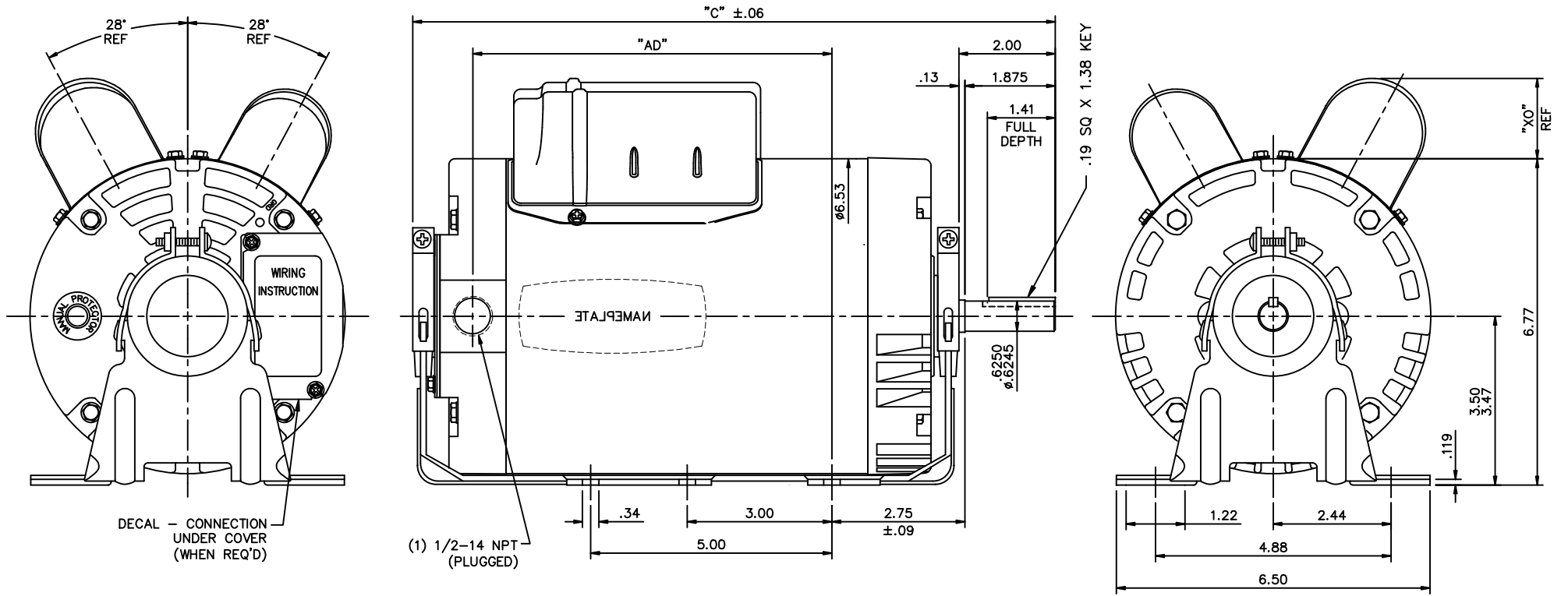
### Nameplate Specifications

Output HP	<b>0.75 Hp</b>	Output KW	<b>0.56 kW</b>
Frequency	<b>60 Hz</b>	Voltage	<b>115 V</b>
Current	<b>7.2 A</b>	Speed	<b>1625 rpm</b>
Service Factor	<b>1</b>	Phase	<b>1</b>
Efficiency	<b>68 %</b>	Duty	<b>Rapid Reversing</b>
Insulation Class	<b>B</b>	Design Code	<b>N</b>
KVA Code	<b>A</b>	Frame	<b>56H</b>
Enclosure	<b>Drip Proof</b>	Overload Protector	<b>Manual</b>
Ambient Temperature	<b>40 °C</b>	Drive End Bearing Size	<b>6203</b>
Opp Drive End Bearing Size	<b>6203</b>	UL	<b>Recognized</b>
CSA	<b>Y</b>	CE	<b>N</b>
IP Code	<b>22</b>		


### Technical Specifications

Electrical Type	<b>Permanent Split Capacitor</b>	Starting Method	<b>Across The Line</b>
Poles	<b>4</b>	Rotation	<b>Selective Counterclockwise</b>
Mounting	<b>Resilient Base</b>	Motor Orientation	<b>HORIZONTAL</b>
Drive End Bearing	<b>BALL</b>	Opp Drive End Bearing	<b>BALL</b>
Frame Material	<b>Rolled Steel</b>	Shaft Type	<b>NEMA 56</b>
Overall Length	<b>12.32 in</b>	Frame Length	<b>6.50 in</b>
Shaft Diameter	<b>0.625 in</b>	Shaft Extension	<b>1.88 in</b>
Assembly/Box Mounting	<b>F1 ONLY</b>		
Outline Drawing	<b>028747-650B</b>	Connection Diagram	<b>005024.06</b>

**This is an uncontrolled document once printed or downloaded and is subject to change without notice. Date Created: 10/15/2018**

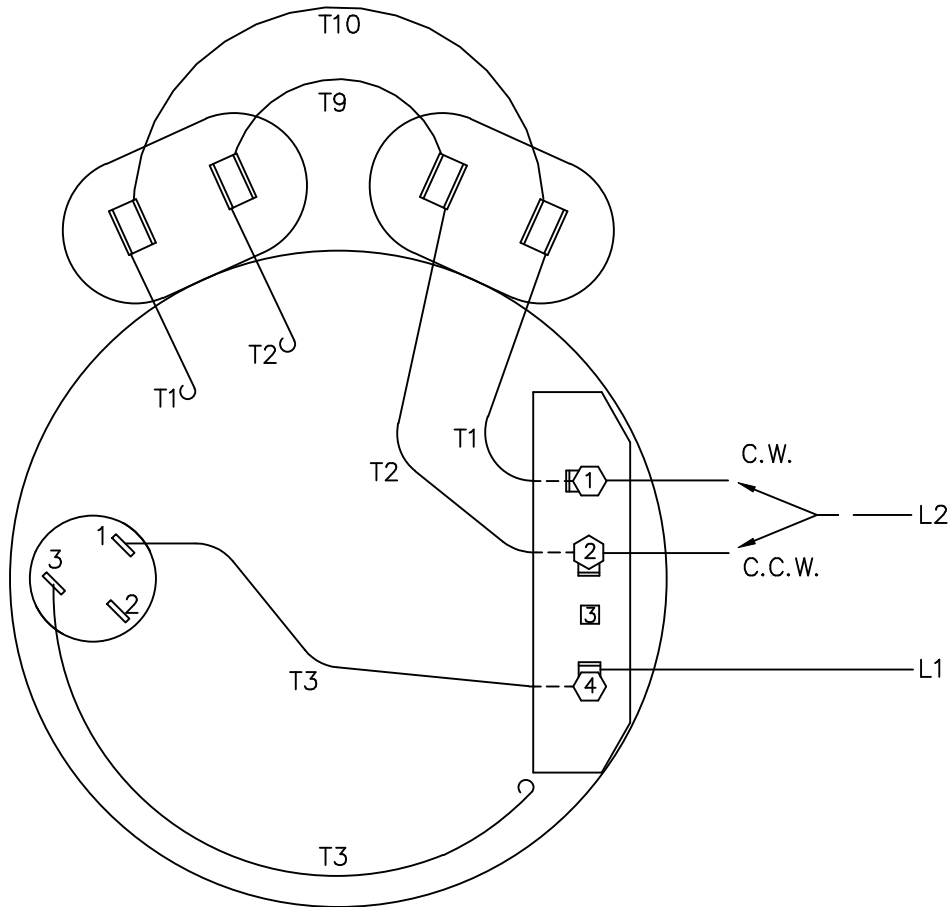


DASH NO.	"C"	"AD"	CAP. DASH	"XO"
600	11.82	5.95	A	1.08
650	12.32	6.45	B	1.42
700	12.82	6.95	C	1.69
750	13.32	7.45		
800	13.82	7.95		

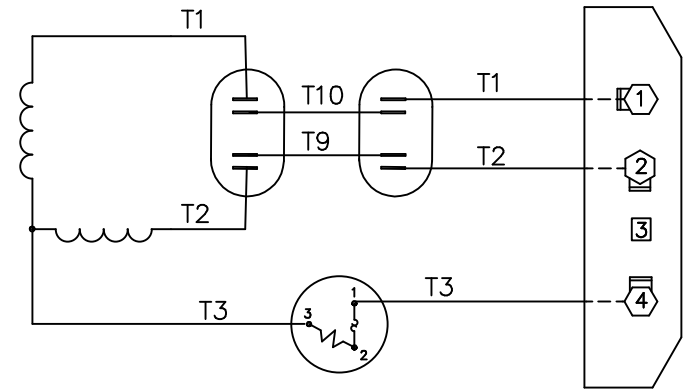
				TOLERANCES UNLESS SPECIFIED		 ELECTRIC MOTORS GEARMOTORS AND DRIVES		DRAWN RDW 1/13/05		
				DEC.	INCHES			CHK	APPD SW 1/13/05	
				.X	±.1			SCALE	1=2	
				.XX	±.03	TITLE	OUTLINE- 56H FRAME DRIP PROOF - RIGID		REF 032648	
				.XXX	±.005	MAT'L	GENERAL PURPOSE		FMF	
01	REMOVED EFFICIENCY DECAL TO AGREE WITH BOM	ARV 4/8/2011	KH	.XXXX	±.0005	FINISH			PREV	
NO. REVISION				CHK	ANG ±1/2'					
THIS DRAWING IN DESIGN AND DETAIL IS OUR PROPERTY AND MUST NOT BE USED EXCEPT IN CONNECTION WITH OUR WORK ALL RIGHTS OF DESIGN AND INVENTION ARE RESERVED THIS IS AN ELECTRONICALLY GENERATED DOCUMENT - DO NOT SCALE THIS PRINT				RFP	1/13/05	CAD FILE	028747	SIZE	DRAWING NO.	REV.
				DIST				B	028747	01

VIEW FROM OUTSIDE OF MOTOR AT SWITCH END

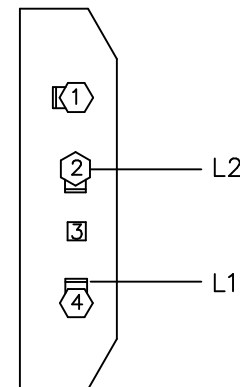
005024-06



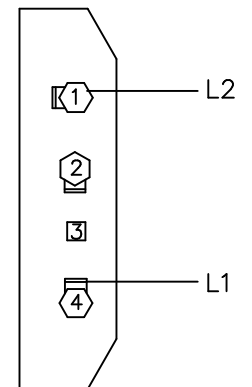
LINE LEADS



C.C.W. L.E.



C.W. L.E.



		TOLERANCES UNLESS SPECIFIED	
		DEC.	INCHES
		.X	±.1
		.XX	±.01
		.XXX	±.005
01	REDRAWN ON CAD	DBT	6/18/97
NO.	REVISION	BY & DATE	CHK ANG ±1/2°
		RFP	6/14/02
		DIST	



ELECTRIC MOTORS  
GEARMOTORS  
AND DRIVES

TITLE  
EXTERNAL WIRING DIAGRAM  
TYPE "P" W/PROTECTOR

MAT'L. DECAL - 004166 3 LEAD REVERSIBLE

FINISH

DRAWN	DLL 1/5/81
CHK	ADH 1/5/81
APPD	JCW 1/6/81
SCALE	1=1
REF	
FMF	4P17DR1
PREV	

SIZE	DRAWING NO.	REV.
A	005024-06	01



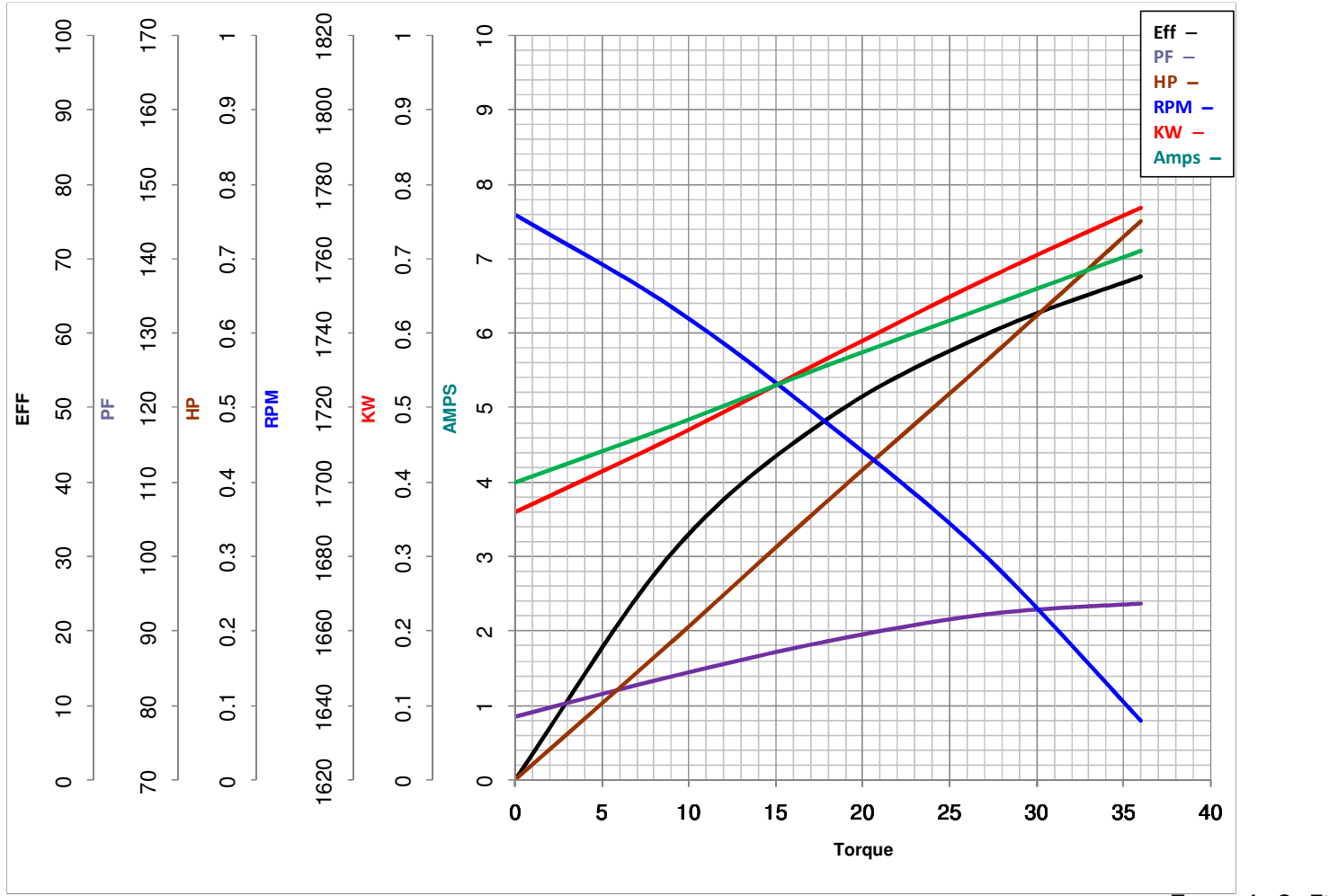
**LEESON ELECTRIC CORPORATION**  
TYPICAL PERFORMANCE CURVE for AC MOTOR

Model No 113642.00

Catalog No 113642.00

Curve at 115 Volts      HP 0.76&0.76      PHASE 1  
60 HZ  
0.75 HP      VOLTS 115&115

HZ 60&50      RPM 1625&1325



FL TORQUE	<u>36</u> Oz.Ft	FL AMPS	<u>7.2</u>
BD TORQUE	<u>78.0</u> Oz.Ft	PU TORQUE	<u>45.0</u> Oz.Ft
LR TORQUE	<u>48</u> Oz.Ft	LR AMPS	<u>20</u>
WINDING	P63490-1	Date	3/14/2018