

PRODUCT INFORMATION PACKET



Model No: U6C34FC34G

Catalog No: 113641.00

2HP..3450RPM.56.TEFC.115/208-230V.1PH.60HZ.CONT.AUTOMATIC.40C.1SF.ROUND.JET
PUMP.U6C34FC34G

Jet Pump



Regal and Leeson are trademarks of Regal Beloit Corporation or one of its affiliated companies.

©2018 Regal Beloit Corporation, All Rights Reserved. MC017097E





Nameplate Specifications

Output HP	2 Hp	Output KW	1.5 kW
Frequency	60 Hz	Voltage	115/208-230 V
Current	20.0/11.4-10.0 A	Speed	3450 rpm
Service Factor	1	Phase	1
Efficiency	73 %	Duty	Continuous
Insulation Class	F	Design Code	L
KVA Code	J	Frame	56J
Enclosure	Totally Enclosed Fan Cooled	Overload Protector	Automatic
Ambient Temperature	40 °C	Drive End Bearing Size	6203
Opp Drive End Bearing Size	6203	UL	Recognized
CSA	Y	CE	N
IP Code	43		

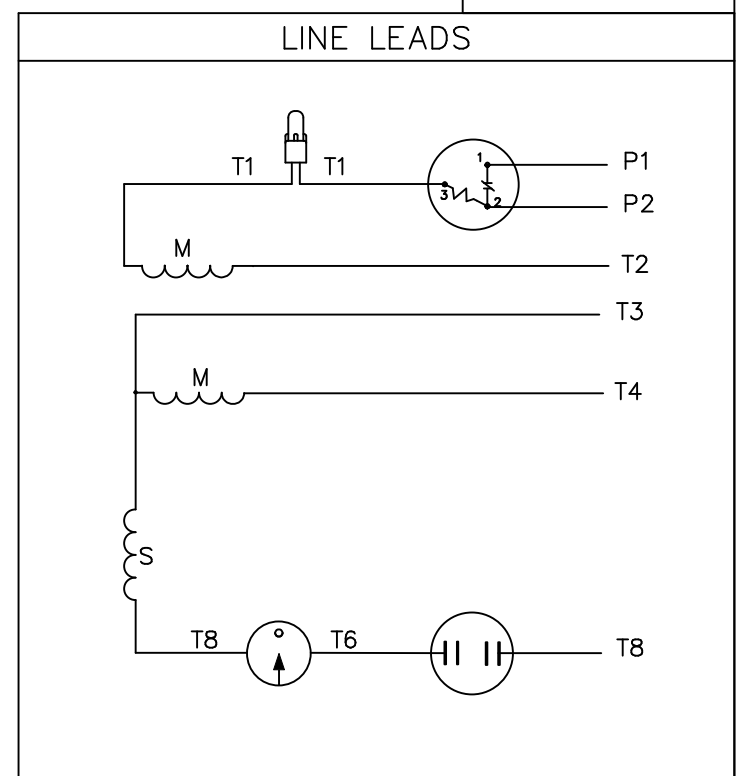
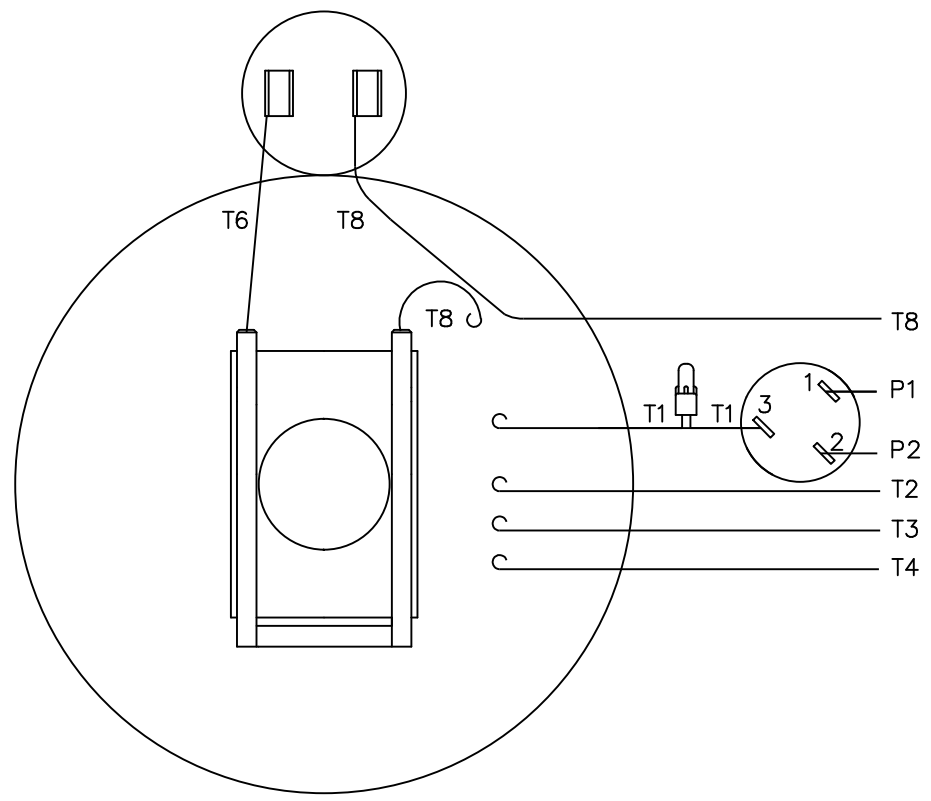
Technical Specifications

Electrical Type	Capacitor Start Induction Run	Starting Method	Across The Line
Poles	2	Rotation	Fixed Clockwise
Mounting	Round	Motor Orientation	HORIZONTAL
Drive End Bearing	BALL	Opp Drive End Bearing	BALL
Frame Material	Rolled Steel	Shaft Type	J
Overall Length	13.78 in	Frame Length	8.00 in
Shaft Diameter	0.625 in	Shaft Extension	2.44 in
Assembly/Box Mounting	F1 ONLY		
Outline Drawing	028860-800B	Connection Diagram	005331.01

This is an uncontrolled document once printed or downloaded and is subject to change without notice. Date Created: 10/15/2018

005331-01

VIEW FROM OUTSIDE OF MOTOR AT SWITCH END.



	ROTATION FACING LEAD END	L1	L2	JOIN	INSULATE SEPARATELY
HIGH VOLT	C.W.	P1	T4 T8	T2,T3	P2
LOW VOLT	C.W.	P1	T4,T2 T8	P2,T3	----

TOLERANCES UNLESS OTHERWISE SPECIFIED	
DECIMALS	
.00	± .01
.000	± .005
.0000	± .0005
FRACTIONS	
	± 1/64

LEESON ELECTRIC CORPORATION

DRAWN EJM 03/25/91	TITLE	EXTERNAL WIRING DIAGRAM
CH'K'D. RLP 03/25/91		TYPE "C" W/PROTECTOR
APPR. SJB 03/25/91+	MAT'L.	DECAL - 080393
SCALE 1=1	FINISH	STOCK
REF. 005030.02	SIZE	A
FMF 6C34FC43	DRAWING NO.	005331-01

NO.	REVISION	BY	DATE
03	REDRAWN TO CURRENT STANDARDS	DBT	06/05/97

THIS DRAWING IN DESIGN AND DETAIL IS OUR PROPERTY AND MUST NOT BE USED EXCEPT IN CONNECTION WITH OUR WORK ALL RIGHTS OF DESIGN AND INVENTION ARE RESERVED

