

PRODUCT INFORMATION PACKET



Model No: A6C34FC42H

Catalog No: 113640.00

..1 1/2HP..3450RPM.56.TEFC.115/208-230V.1PH.60HZ.CONT.40C.1.0SF.C FACE.A6C34FC42H.....JET
PUMP.AUTOMATIC.....

Jet Pump



Regal and Leeson are trademarks of Regal Beloit Corporation or one of its affiliated companies.

©2018 Regal Beloit Corporation, All Rights Reserved. MC017097E



Product Information Packet: Model No: A6C34FC42H, Catalog No:113640.00 ..1
 1/2HP..3450RPM.56.TEFC.115/208-230V.1PH.60HZ.CONT.40C.1.0SF.C FACE.A6C34FC42H.....JET
 PUMP.AUTOMATIC.....



Nameplate Specifications

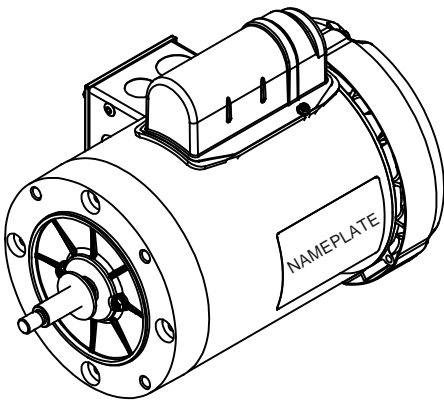
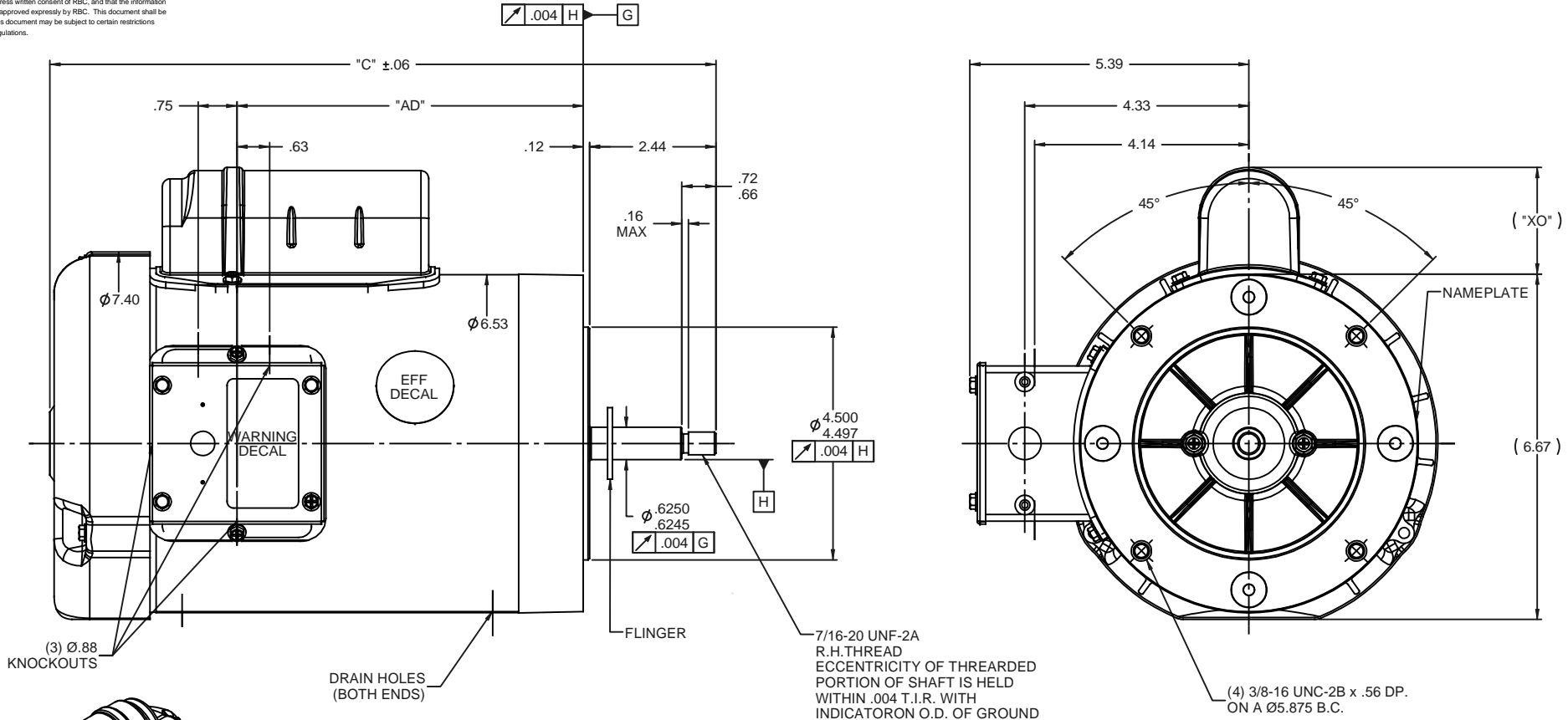
Output HP	1.50 Hp	Output KW	1.1 kW
Frequency	60 Hz	Voltage	115/208-230 V
Current	17.0/9.0-8.5 A	Speed	3450 rpm
Service Factor	1	Phase	1
Efficiency	72 %	Duty	Continuous
Insulation Class	F	Design Code	L
KVA Code	H	Frame	56J
Enclosure	Totally Enclosed Fan Cooled	Overload Protector	Automatic
Ambient Temperature	40 °C	Drive End Bearing Size	6203
Opp Drive End Bearing Size	6203	UL	Recognized
CSA	Y	CE	N
IP Code	43		

Technical Specifications

Electrical Type	Capacitor Start Induction Run	Starting Method	Across The Line
Poles	2	Rotation	Fixed Clockwise
Mounting	Round	Motor Orientation	HORIZONTAL
Drive End Bearing	BALL	Opp Drive End Bearing	BALL
Frame Material	Rolled Steel	Shaft Type	J
Overall Length	12.86 in	Frame Length	7.00 in
Shaft Diameter	0.625 in	Shaft Extension	2.44 in
Assembly/Box Mounting	F1 ONLY		
Outline Drawing	028927-700B	Connection Diagram	005330.02

This is an uncontrolled document once printed or downloaded and is subject to change without notice. Date Created: 10/15/2018

RBC PROPRIETARY AND CONFIDENTIAL INFORMATION
 This document is the property of REGAL BELOIT CORPORATION ("RBC") including its subsidiaries and divisions and contains proprietary information of RBC. This document is loaned on the express condition that neither it nor the information contained therein shall be disclosed to others without the express written consent of RBC, and that the information shall be used by the recipient only as approved expressly by RBC. This document shall be returned to RBC upon its request. This document may be subject to certain restrictions under U.S. export control laws and regulations.



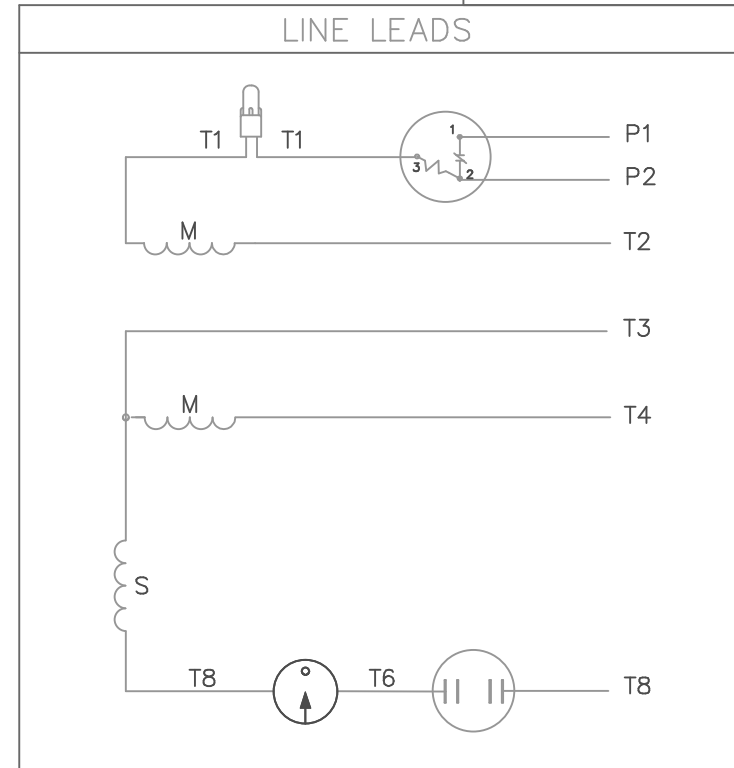
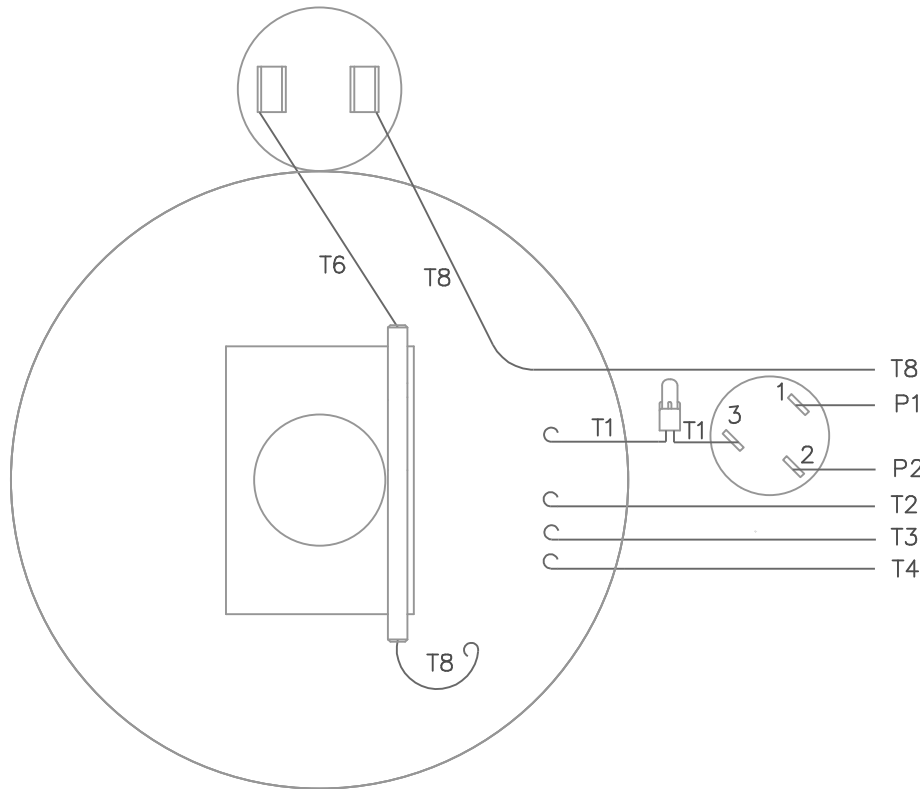
DASH NO.	"C"	"AD"	CAP. DASH	"XO"
600	11.86	5.69		
650	12.36	6.19	A	1.54
700	12.86	6.69	B	2.01
750	13.36	7.19	C	2.25
800	13.86	7.69		

NOTES:
 1) GASKETS THROUGHOUT

REVISION		BY & DATE	CHK	ANG	±1/2"	FINISH	ELECTRIC MOTORS GEARMOTORS AND DRIVES		DRAWN	GRB 12/19/08
THIRD ANGLE PROJECTION			RFP	12/19/08	PREV		LEESON		CHK	DJ 12/19/08
							TITLE OUTLINE - 56J FRAME		APPR	DJ 12/19/08
							TEFC - "C" FACE		SCALE	1:2
							MATL JET PUMP		REF	028617
									FMF	113640.00
									PAGE	OF
									SIZE	DRAWING NO
									B	028927
									REV	

005330-02

VIEW FROM OUTSIDE OF MOTOR AT SWITCH END.



	ROTATION FACING LEAD END	L1	L2	JOIN	INSULATE SEPARATELY
HIGH VOLT	C.W.	P1	T4 T8	T2,T3	P2
LOW VOLT	C.W.	P1	T2,T4 T8	P2,T3	--

				TOLERANCES UNLESS OTHERWISE SPECIFIED	
				DECIMALS	
				.00	± .01
				.000	± .005
2	REDRAWN ON CAD	DBT	06/06/97	.0000	± .0005
NO.	REVISION	BY	DATE	FRACTIONS	± 1/64
				ANGLES	± 1/2°
				INCH/MM	

LEESON ELECTRIC CORPORATION					
DRAWN EJM 03/04/91		TITLE EXT. WIRING DIAGRAM			
CH'K'D. SJB 03/08/91		TYPE "C" W/PROTECTOR			
APPR. RPB 03/08/91		MAT'L. DECAL - 080393		BRF	
SCALE 1=1		REF. 005043.01		SIZE A	DRAWING NO. 005330-02
FMF 6C34FK49					

THIS DRAWING IN DESIGN AND DETAIL IS OUR PROPERTY AND MUST NOT BE USED EXCEPT IN CONNECTION WITH OUR WORK ALL RIGHTS OF DESIGN AND INVENTION ARE RESERVED

