

PRODUCT INFORMATION PACKET



Model No: A6C34FC41F

Catalog No: 113639.00

1HP..3450RPM.56.TEFC.115/208-230V.1PH.60HZ.CONT.AUTOMATIC.40C.1.25SF.ROUND.JET
PUMP.A6C34FC41F

Jet Pump



Regal and Leeson are trademarks of Regal Beloit Corporation or one of its affiliated companies.

©2018 Regal Beloit Corporation, All Rights Reserved. MC017097E





Nameplate Specifications

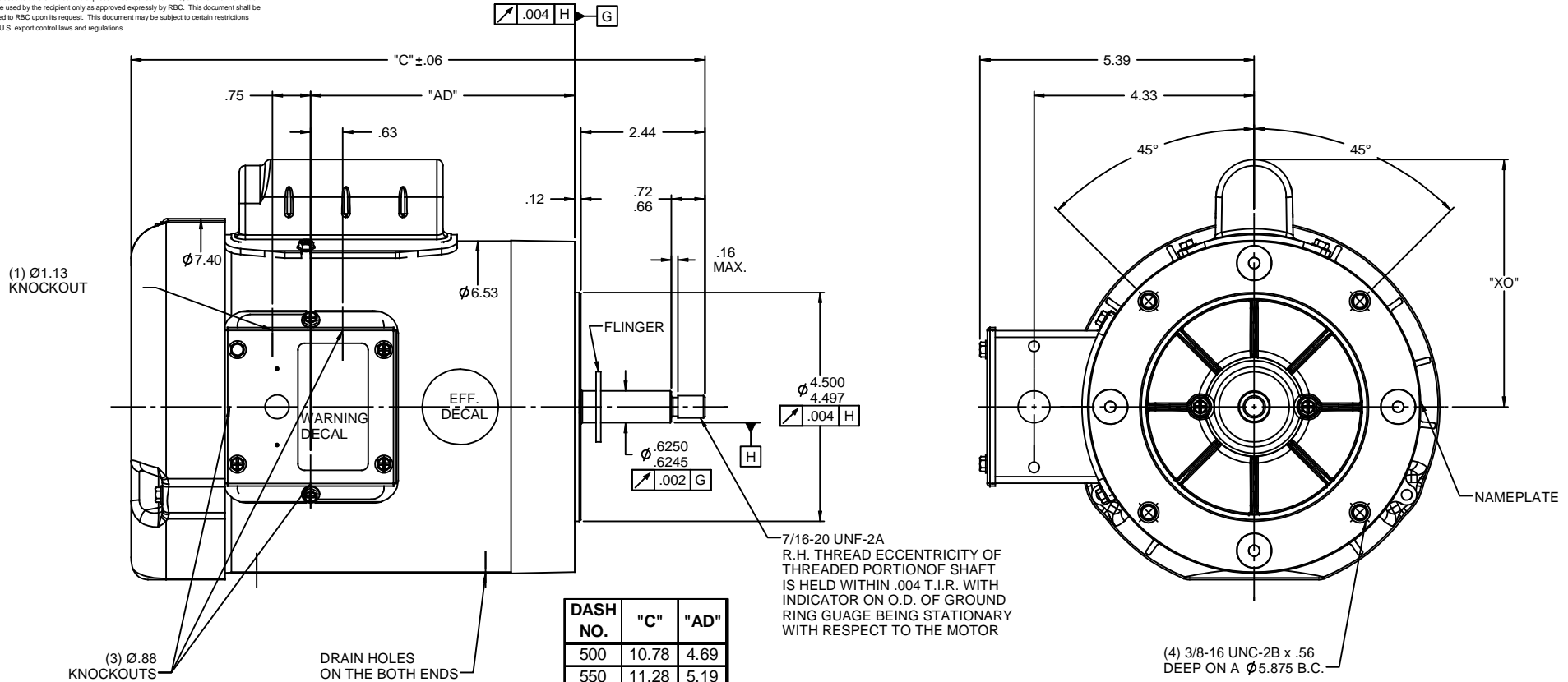
Output HP	1 Hp	Output KW	0.75 kW
Frequency	60 Hz	Voltage	115/208-230 V
Current	12.0/6.2-6.0 A	Speed	3450 rpm
Service Factor	1.25	Phase	1
Efficiency	70 %	Duty	Continuous
Insulation Class	B	Design Code	N
KVA Code	J	Frame	56J
Enclosure	Totally Enclosed Fan Cooled	Overload Protector	Automatic
Ambient Temperature	40 °C	Drive End Bearing Size	6203
Opp Drive End Bearing Size	6203	UL	Recognized
CSA	Y	CE	N
IP Code	43		

Technical Specifications

Electrical Type	Capacitor Start Induction Run	Starting Method	Across The Line
Poles	2	Rotation	Fixed Clockwise
Mounting	Round	Motor Orientation	HORIZONTAL
Drive End Bearing	BALL	Opp Drive End Bearing	BALL
Frame Material	Rolled Steel	Shaft Type	J
Overall Length	12.28 in	Frame Length	6.50 in
Shaft Diameter	0.625 in	Shaft Extension	2.44 in
Assembly/Box Mounting	F1 ONLY		
Outline Drawing	028869-650B	Connection Diagram	005330.02

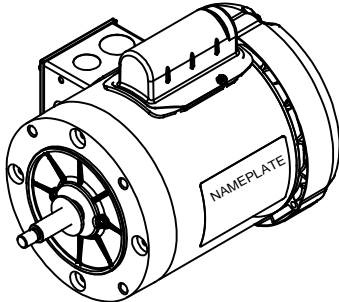
This is an uncontrolled document once printed or downloaded and is subject to change without notice. Date Created: 10/15/2018

RBC PROPRIETARY AND CONFIDENTIAL INFORMATION
 This document is the property of REGAL BELOIT CORPORATION ("RBC") including its subsidiaries and divisions and contains proprietary information of RBC. This document is loaned on the express condition that neither it nor the information contained therein shall be disclosed to others without the express written consent of RBC, and that the information shall be used by the recipient only as approved expressly by RBC. This document shall be returned to RBC upon its request. This document may be subject to certain restrictions under U.S. export control laws and regulations.



DASH NO.	"C"	"AD"	CAP.	"XO"
500	10.78	4.69	A	4.87
550	11.28	5.19	B	5.34
600	11.78	5.69	C	5.57
650	12.28	6.19		
700	12.78	6.69		
750	13.28	7.19		
800	13.78	7.69		
850	14.28	8.19		

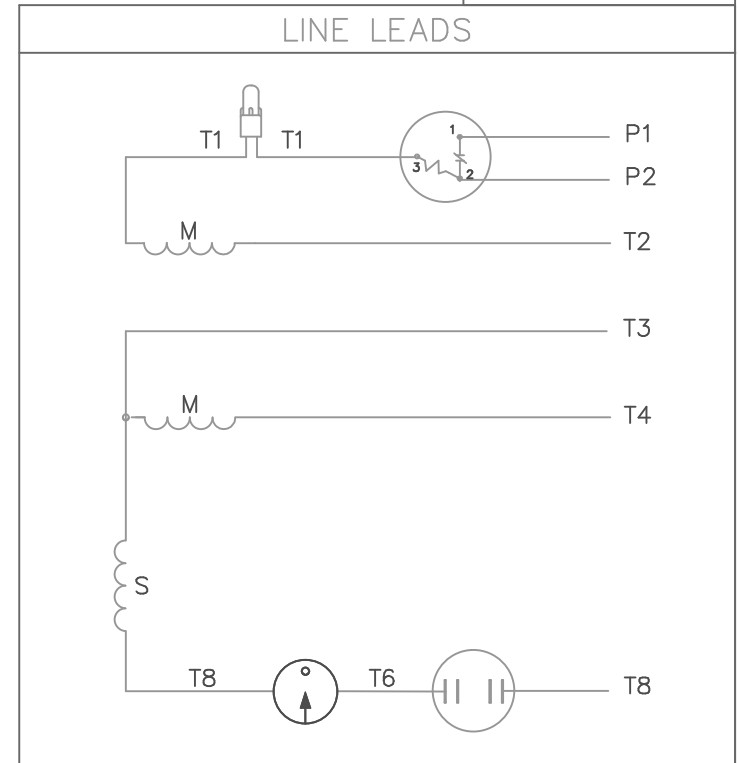
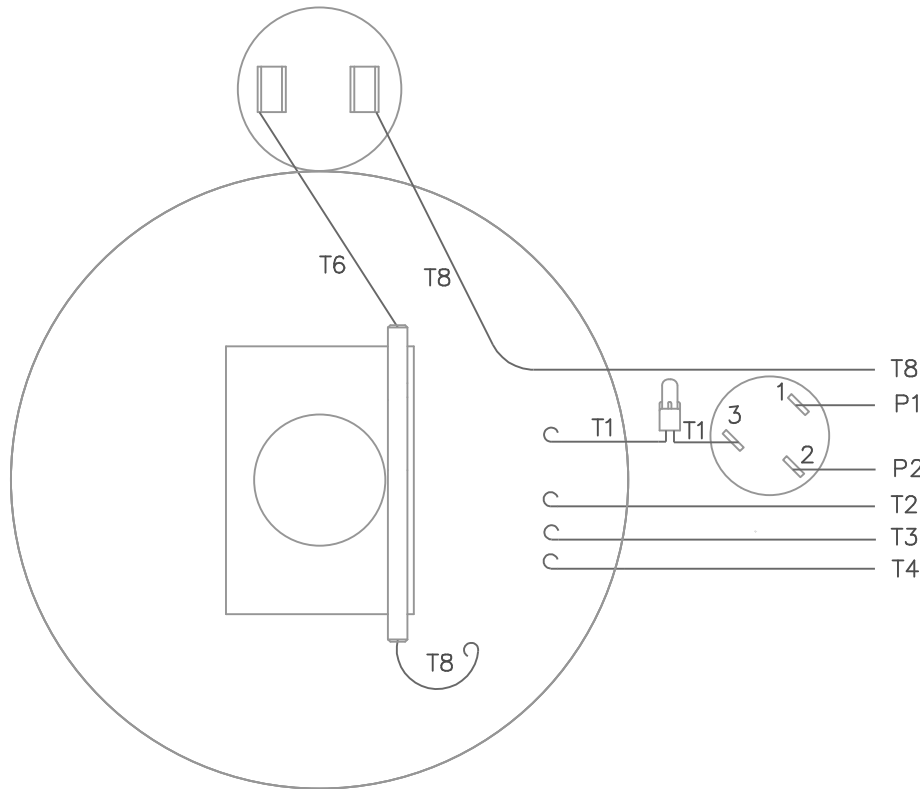
NOTES:
GASKETS THROUGHOUT



TOLERANCES UNLESS SPECIFIED		LEESON	ELECTRIC MOTORS GEARMOTORS AND DRIVES	DRAWN
DEC	INCHES			GRB_08/18/2008
X	±.1			CHK DJ 08/18/2008
XX	±.03	TITLE	OUTLINE - 56J FRAME	APPR
XXX	±.005		TEFC - "C" FACE	SCALE 1:2
XXXX	±.0005	MATL	JET PUMP	REF 028607
NO	REVISION	BY & DATE	CHK ANG ±7'30"	FINISH
			RFP 08/18/2008	PREV
			THIRD ANGLE PROJECTION	SIZE
			NETWORK FILE NAME	DRAWING NO
				B
				028869
				PAGE 1 OF 1
				REV

005330-02

VIEW FROM OUTSIDE OF MOTOR AT SWITCH END.



	ROTATION FACING LEAD END	L1	L2	JOIN	INSULATE SEPARATELY
HIGH VOLT	C.W.	P1	T4 T8	T2,T3	P2
LOW VOLT	C.W.	P1	T2,T4 T8	P2,T3	--

				TOLERANCES UNLESS OTHERWISE SPECIFIED	
				DECIMALS	
				.00	± .01
				.000	± .005
2	REDRAWN ON CAD	DBT	06/06/97	.0000	± .0005
NO.	REVISION	BY	DATE	FRACTIONS	± 1/64
				ANGLES	± 1/2°
				INCH/MM	

LEESON ELECTRIC CORPORATION

DRAWN	EJM	03/04/91	TITLE	EXT. WIRING DIAGRAM TYPE "C" W/PROTECTOR	
CH'K'D.	SJB	03/08/91	MAT'L.	DECAL - 080393	
APPR.	RPB	03/08/91	SCALE	1=1	
REF.	005043.01	FINISH	SIZE	DRAWING NO.	
FMF	6C34FK49		A	005330-02	

BRF

THIS DRAWING IN DESIGN AND DETAIL IS OUR PROPERTY AND MUST NOT BE USED EXCEPT IN CONNECTION WITH OUR WORK ALL RIGHTS OF DESIGN AND INVENTION ARE RESERVED



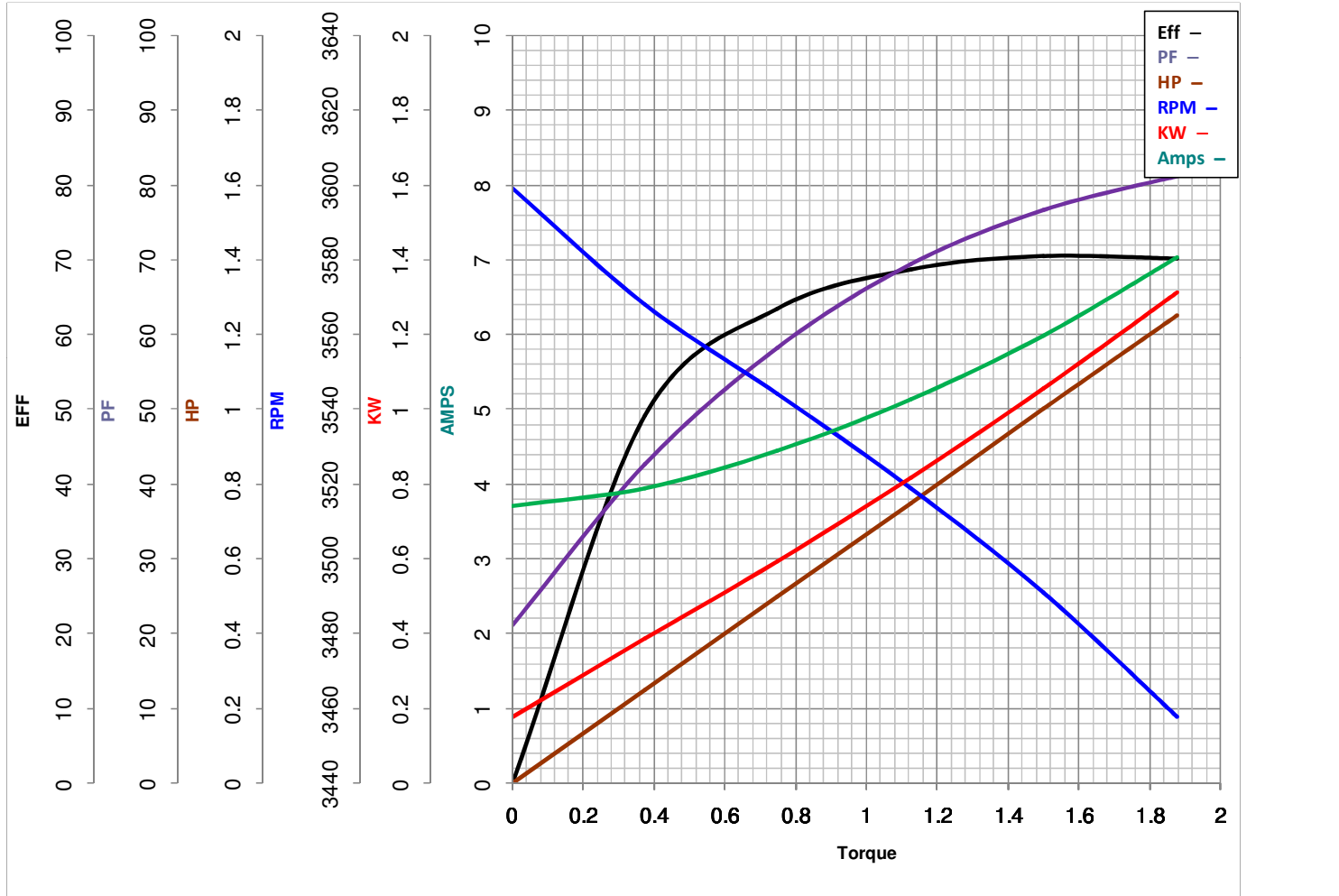
LEESON ELECTRIC CORPORATION
 TYPICAL PERFORMANCE CURVE for AC MOTOR

Model No 113639.00

Catalog No 113639.00

Curve at 230 Volts HP 1.00 PHASE 1
60 HZ
1 HP VOLTS 115/208-230

HZ 60 RPM 3450



Torque in Lb.Ft

FL TORQUE 1.5 Lb.Ft
 BD TORQUE 4.0 Lb.Ft
 LR TORQUE 5 Lb.Ft

FL AMPS 12/6.2-6
 PU TORQUE 3.8 Lb.Ft
 LR AMPS 34

WINDING C632211-5

Date 4/12/2018