

# PRODUCT INFORMATION PACKET



Model No: A6C34FK50F

Catalog No: 113638.00

3/4HP..3450RPM.56.TEFC.115/208-230V.1PH.60HZ.CONT.AUTOMATIC.40C.1.5SF.RIGID C.JET  
PUMP.A6C34FK50F

Jet Pump



Regal and Leeson are trademarks of Regal Beloit Corporation or one of its affiliated companies.

©2018 Regal Beloit Corporation, All Rights Reserved. MC017097E





### Nameplate Specifications

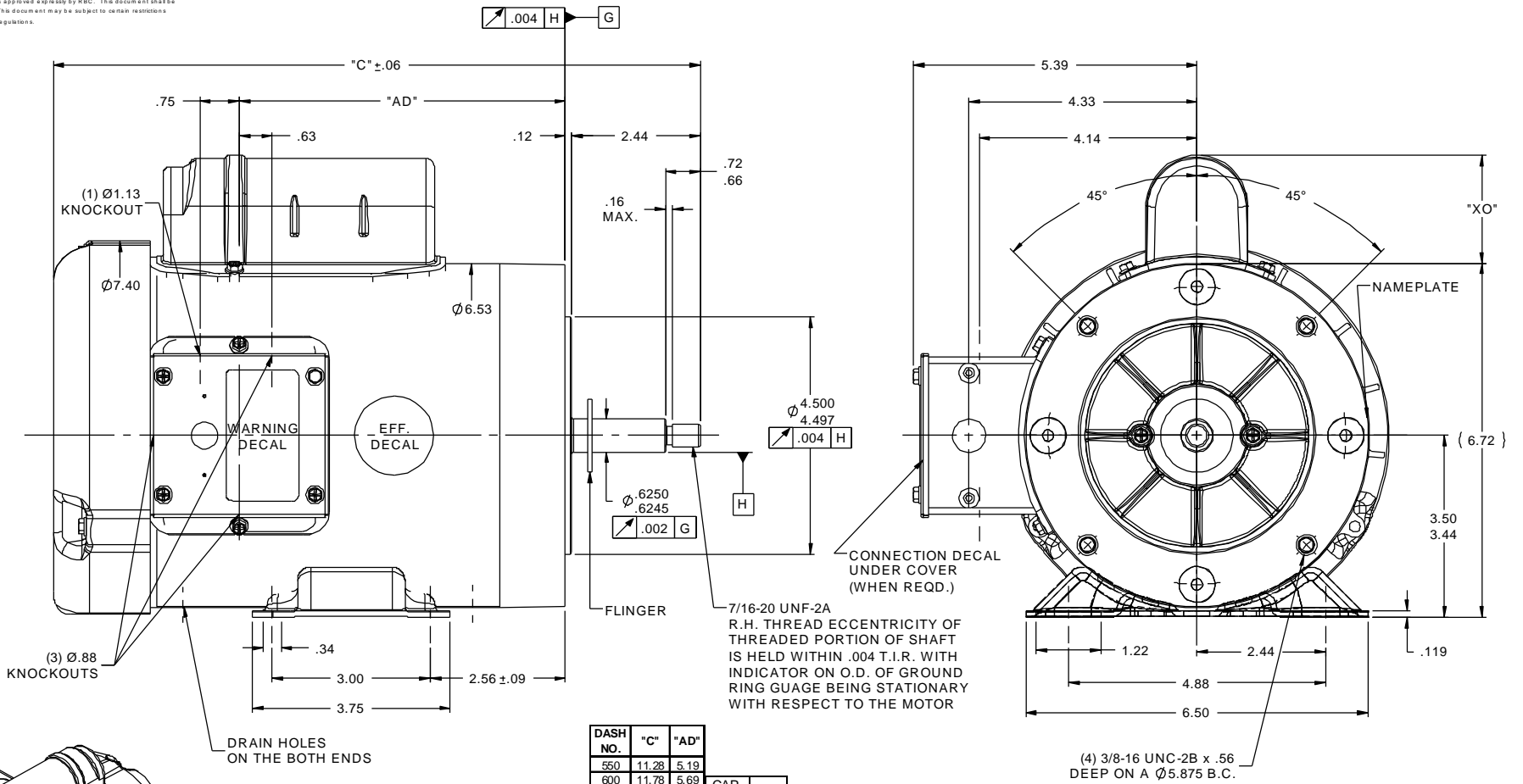
Output HP	<b>0.75 Hp</b>	Output KW	<b>0.56 kW</b>
Frequency	<b>60 Hz</b>	Voltage	<b>115/208-230 V</b>
Current	<b>10.0/5.2-5.0 A</b>	Speed	<b>3450 rpm</b>
Service Factor	<b>1.5</b>	Phase	<b>1</b>
Efficiency	<b>64 %</b>	Duty	<b>Continuous</b>
Insulation Class	<b>B</b>	Design Code	<b>N</b>
KVA Code	<b>L</b>	Frame	<b>56J</b>
Enclosure	<b>Totally Enclosed Fan Cooled</b>	Overload Protector	<b>Automatic</b>
Ambient Temperature	<b>40 °C</b>	Drive End Bearing Size	<b>6203</b>
Opp Drive End Bearing Size	<b>6203</b>	UL	<b>Recognized</b>
CSA	<b>Y</b>	CE	<b>N</b>
IP Code	<b>43</b>		

### Technical Specifications

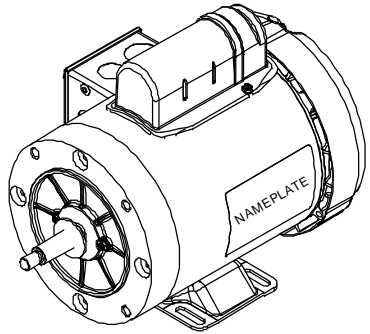
Electrical Type	<b>Capacitor Start Induction Run</b>	Starting Method	<b>Across The Line</b>
Poles	<b>2</b>	Rotation	<b>Fixed Clockwise</b>
Mounting	<b>Rigid base</b>	Motor Orientation	<b>HORIZONTAL</b>
Drive End Bearing	<b>BALL</b>	Opp Drive End Bearing	<b>BALL</b>
Frame Material	<b>Rolled Steel</b>	Shaft Type	<b>J</b>
Overall Length	<b>11.78 in</b>	Frame Length	<b>6.00 in</b>
Shaft Diameter	<b>0.625 in</b>	Shaft Extension	<b>2.44 in</b>
Assembly/Box Mounting	<b>F1 ONLY</b>		
Outline Drawing	<b>028870-600B</b>	Connection Diagram	<b>005330.02</b>

This is an uncontrolled document once printed or downloaded and is subject to change without notice. Date Created: 10/15/2018

RBC PROPRIETARY AND CONFIDENTIAL INFORMATION  
 This document is the property of REGAL BELOIT CORPORATION (RBC) including its subsidiaries and divisions and contains proprietary information of RBC. This document is loaned on the express condition that neither the information contained therein shall be disclosed to others without the express written consent of RBC, and that the information shall be used by the recipient only as approved expressly by RBC. This document shall be returned to RBC upon its request. This document may be subject to certain restrictions under U.S. export controls and regulations.



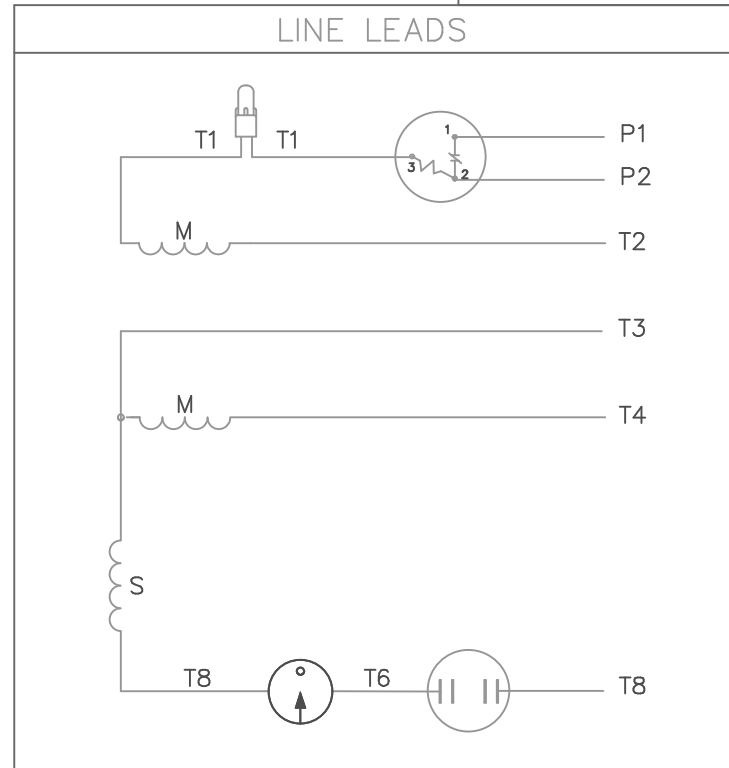
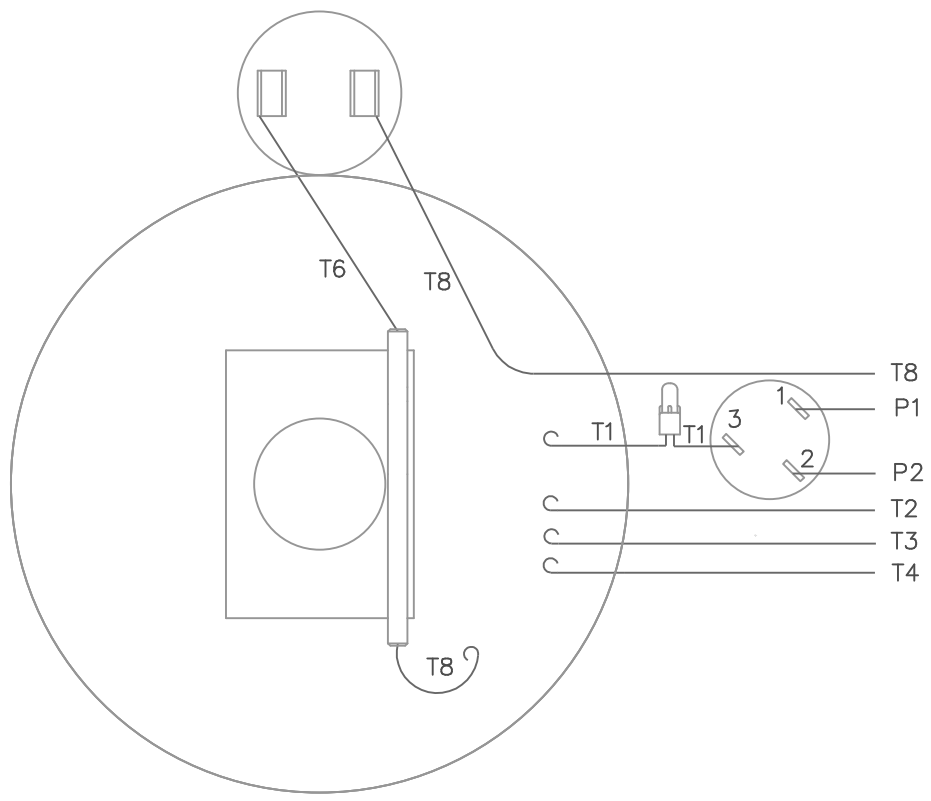
DASH NO.	"C"	"AD"	CAP. DASH	"XO"
550	11.28	5.19	A	1.54
600	11.78	5.69	B	2.01
650	12.28	6.19	C	2.25
700	12.78	6.69		
750	13.28	7.19		
800	13.78	7.69		
850	14.28	8.19		



NOTES:  
GASKETS THROUGHOUT

				TOLERANCES UNLESS SPECIFIED		LEESON ELECTRIC MOTORS GEARMOTORS AND DRIVES		DRAWN GRB 08/19/2008	
				DEC	INCHES			CHK	DJ 08/19/2008
				X	±.1			APPR	
				XX	±.03	TITLE OUTLINE - 56J FRAME		SCALE	1:2
02	ADDED CONNECTION DECAL NOTE PER MU115132(117989.00)	UD	9/18/2013	GRB	XXX ±.005	TEFC - RIGID "C"		REF	028608
01	ADDED ITEM #550 (113637.00)	GRB	12/16/2008	DJ	XXXX ±.0005	MAT'L JET PUMP		FMF	113957.00
NO	REVISION	BY & DATE	CHK	LANG	±7'30"	FINISH		PAGE	OF
				RFP	08/19/2008	PREV		SIZE	DRAWING NO
				NETWORK FILE NAME 028870				B	028870
								REV	02

VIEW FROM OUTSIDE OF MOTOR AT SWITCH END.



	ROTATION FACING LEAD END	L1	L2	JOIN	INSULATE SEPARATELY
HIGH VOLT	C.W.	P1	T4 T8	T2,T3	P2
LOW VOLT	C.W.	P1	T2,T4 T8	P2,T3	--

				TOLERANCES UNLESS OTHERWISE SPECIFIED	
				DECIMALS	
				.00	± .01
				.000	± .005
2	REDRAWN ON CAD	DBT	06/06/97	.0000	± .0005
NO.	REVISION	BY	DATE	FRACTIONS	± 1/64
				ANGLES	± 1/2°
				INCH/MM	

**LEESON** ELECTRIC CORPORATION

DRAWN	EJM	03/04/91	TITLE	EXT. WIRING DIAGRAM TYPE "C" W/PROTECTOR	
CH'K'D.	SJB	03/08/91	MAT'L.	DECAL - 080393	
APPR.	RPB	03/08/91	SCALE	1=1	
REF.	005043.01	FINISH	SIZE	DRAWING NO.	
FMF	6C34FK49		A	005330-02	

**BRF**

THIS DRAWING IN DESIGN AND DETAIL IS OUR PROPERTY AND MUST NOT BE USED EXCEPT IN CONNECTION WITH OUR WORK ALL RIGHTS OF DESIGN AND INVENTION ARE RESERVED

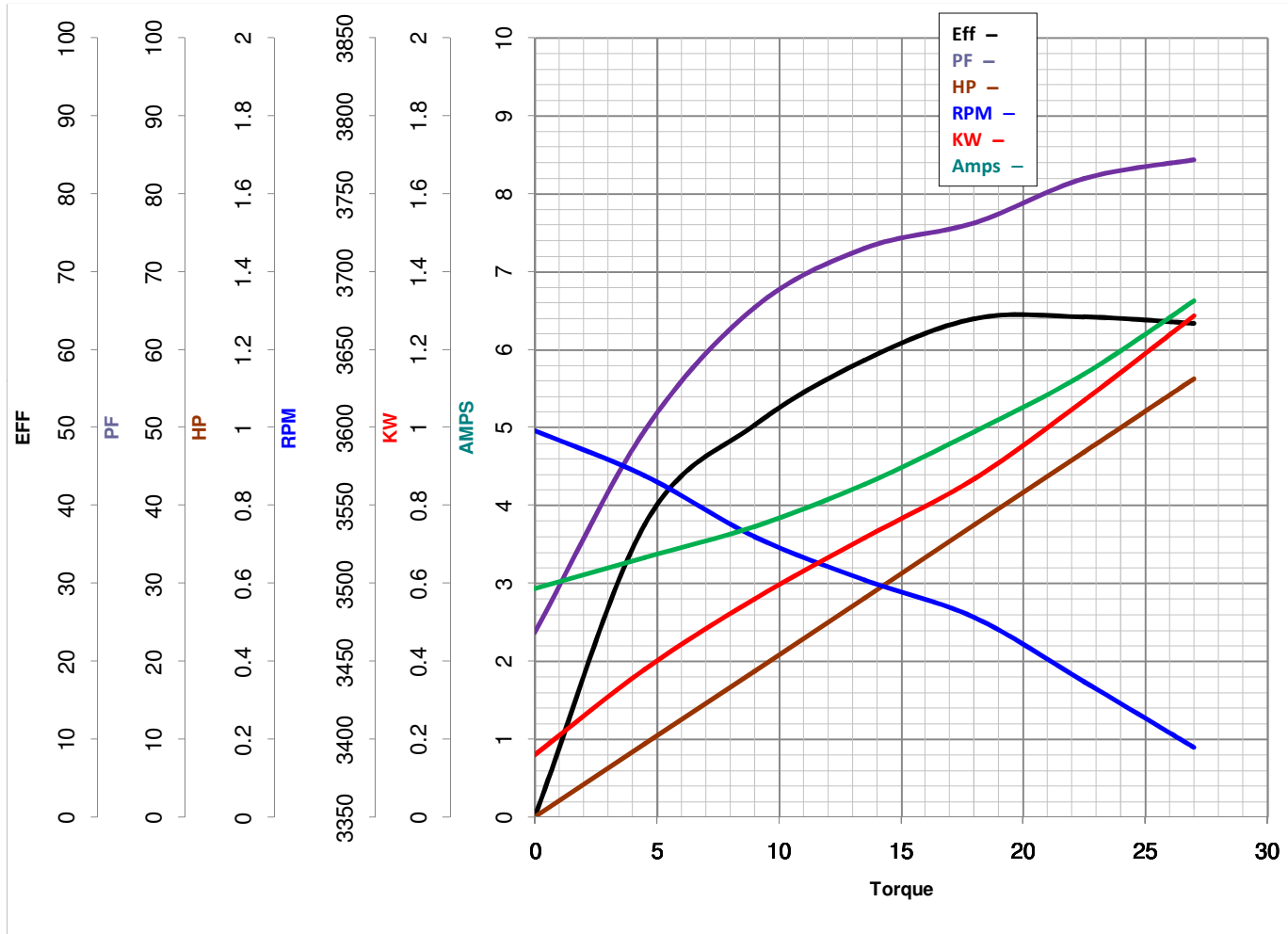


**LEESON ELECTRIC CORPORATION**  
 TYPICAL PERFORMANCE CURVE for AC MOTOR

Model No 113638.00

Catalog No 113638.00

Curve at 230 Volts      HP 0.76      PHASE 1  
60 HZ  
0.75 HP      VOLTS 115/208-230  
    HZ 60      RPM 3450



Torque in Oz.Ft

FL TORQUE 18 Oz.Ft  
 BD TORQUE 48.0 Oz.Ft  
 LR TORQUE 64 Oz.Ft

FL AMPS 10/5.2-5  
 PU TORQUE 45.0 Oz.Ft  
 LR AMPS 30

WINDING C632210-4

Date 3/15/2018