

# PRODUCT INFORMATION PACKET



Model No: A6C34FK49F

Catalog No: 113637.00

1/2HP..3450RPM.56.TEFC.115/208-230V.1PH.60HZ.CONT.AUTOMATIC.40C.1.6SF.RIGID C.JET  
PUMP.A6C34FK49F

Jet Pump



Regal and Leeson are trademarks of Regal Beloit Corporation or one of its affiliated companies.

©2018 Regal Beloit Corporation, All Rights Reserved. MC017097E





### Nameplate Specifications

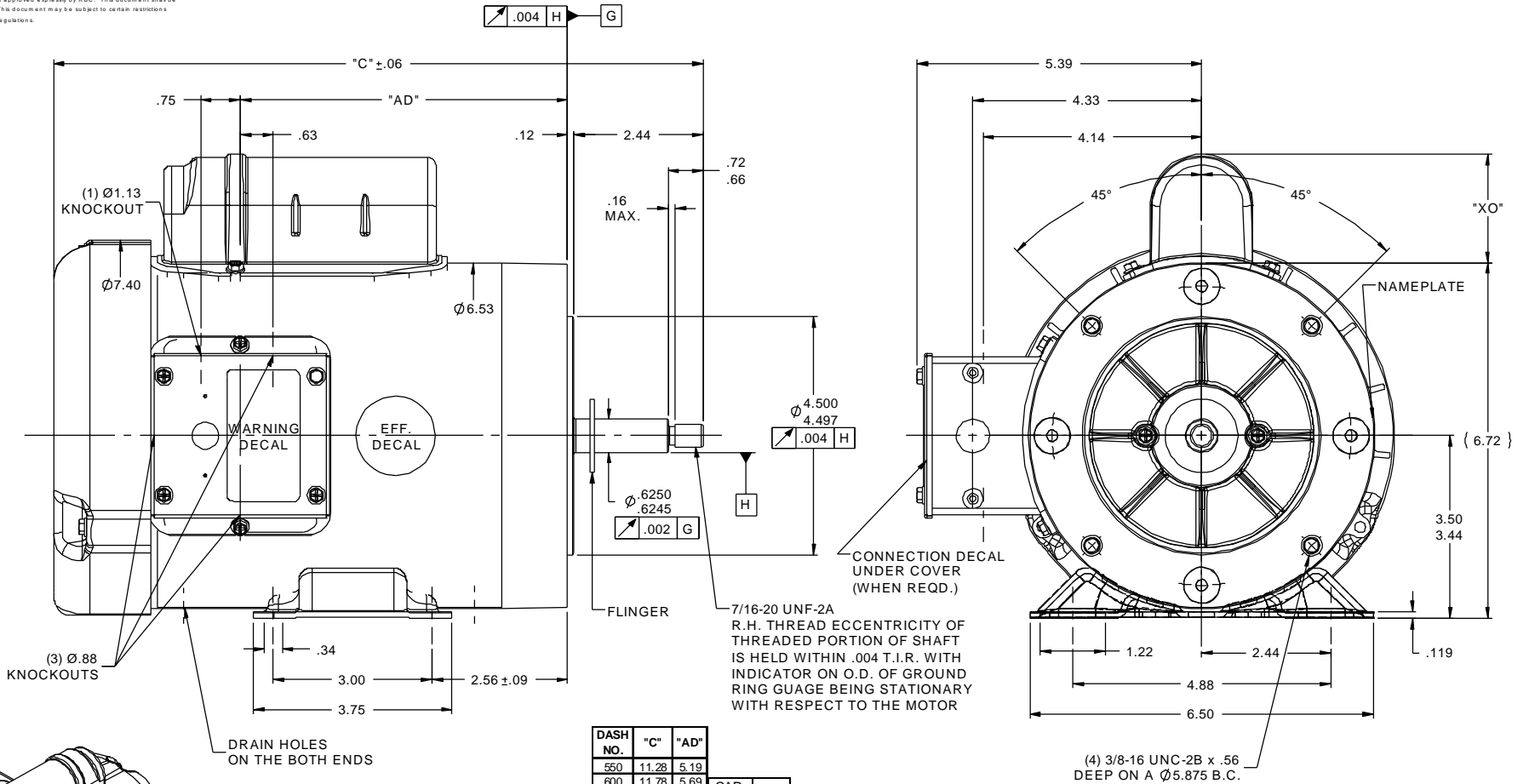
Output HP	0.50 Hp	Output KW	0.37 kW
Frequency	60 Hz	Voltage	115/208-230 V
Current	7.6/4.0-3.8 A	Speed	3450 rpm
Service Factor	1.6	Phase	1
Efficiency	63 %	Duty	Continuous
Insulation Class	B	Design Code	N
KVA Code	M	Frame	56J
Enclosure	Totally Enclosed Fan Cooled	Overload Protector	Automatic
Ambient Temperature	40 °C	Drive End Bearing Size	6203
Opp Drive End Bearing Size	6203	UL	Recognized
CSA	Y	CE	N
IP Code	43		

### Technical Specifications

Electrical Type	Capacitor Start Induction Run	Starting Method	Across The Line
Poles	2	Rotation	Fixed Clockwise
Mounting	Rigid base	Motor Orientation	HORIZONTAL
Drive End Bearing	BALL	Opp Drive End Bearing	BALL
Frame Material	Rolled Steel	Shaft Type	J
Overall Length	11.28 in	Frame Length	5.50 in
Shaft Diameter	0.625 in	Shaft Extension	2.44 in
Assembly/Box Mounting	F1 ONLY		
Outline Drawing	028870-550A	Connection Diagram	005330.02

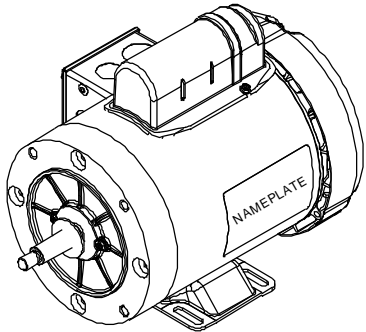
This is an uncontrolled document once printed or downloaded and is subject to change without notice. Date Created: 10/15/2018

RBC PROPRIETARY AND CONFIDENTIAL INFORMATION  
 This document is the property of REGAL BELOIT CORPORATION ("RBC") including its subsidiaries and divisions and contains proprietary information of RBC. This document is loaned on the express condition that neither it nor the information contained therein shall be disclosed to others without the express written consent of RBC, and that the information shall be used by the recipient only as approved expressly by RBC. This document shall be returned to RBC upon its request. This document may be subject to certain restrictions under U.S. export controls and regulations.



DASH NO.	"C"	"AD"	CAP. DASH	"XO"
550	11.28	5.19		
600	11.78	5.69		
650	12.28	6.19	A	1.54
700	12.78	6.69		
750	13.28	7.19	B	2.01
800	13.78	7.69		
850	14.28	8.19	C	2.25

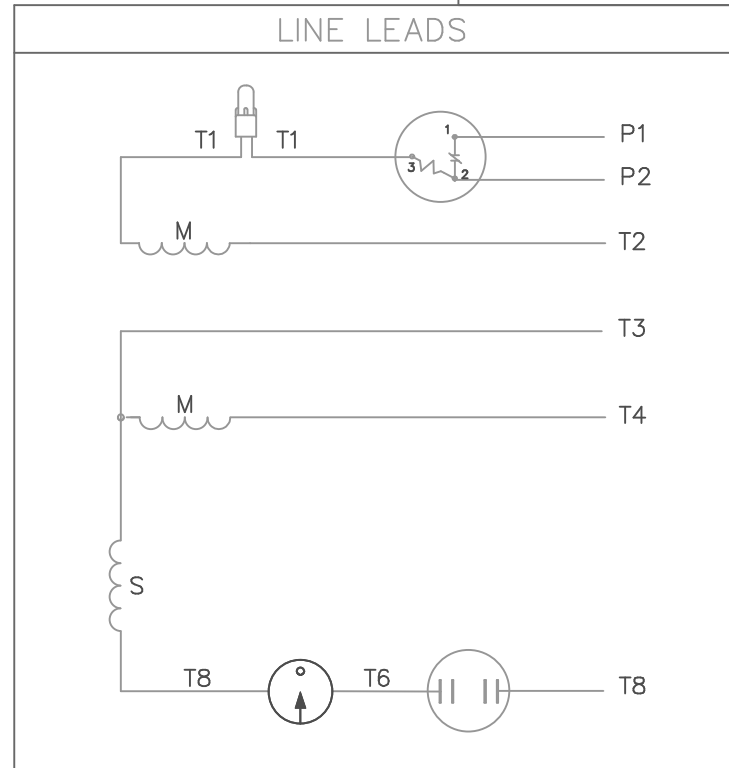
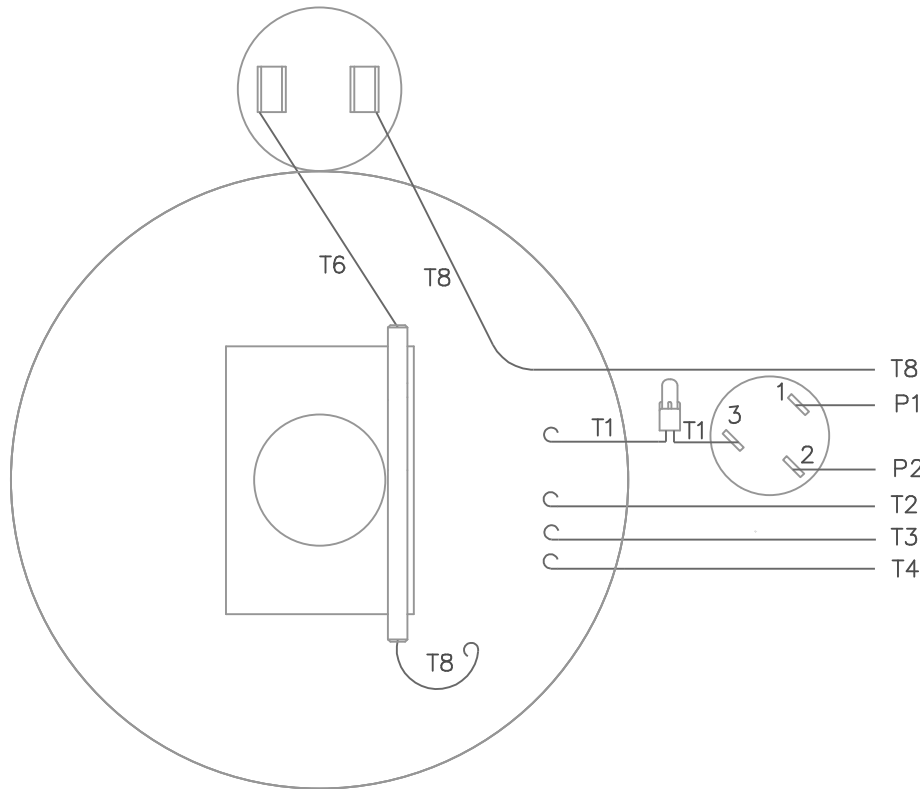
NOTES:  
 GASKETS THROUGHOUT



				TOLERANCES UNLESS SPECIFIED		LEESON	ELECTRIC MOTORS GEARMOTORS AND DRIVES	DRAWN GRB 08/19/2008 CHK DJ 08/19/2008 APPR			
				DEC	INCHES						
				X	±.1			SCALE 1:2			
				XX	±.03	TITLE OUTLINE - 56J FRAME TEFC - RIGID "C"		REF 028608			
02 ADDED CONNECTION DECAL NOTE PER MU115132(117989.00)				UD	9/18/2013	GRB	xxx	±.005	MAT'L JET PUMP	FMF 113957.00	
01 ADDED ITEM #550 (113637.00)				GRB	12/16/2008	DJ	xxxx	±.0005	FINISH	PAGE OF	
NO	REVISION	BY & DATE	CHK	ANG	±7'30"	PREV	08/19/2008		SIZE	DRAWING NO	REV
THIRD ANGLE PROJECTION									B	028870	02
								NETWORK FILE NAME	028870		

005330-02

VIEW FROM OUTSIDE OF MOTOR AT SWITCH END.



	ROTATION FACING LEAD END	L1	L2	JOIN	INSULATE SEPARATELY
HIGH VOLT	C.W.	P1	T4 T8	T2,T3	P2
LOW VOLT	C.W.	P1	T2,T4 T8	P2,T3	--

				TOLERANCES UNLESS OTHERWISE SPECIFIED	
				DECIMALS	
				.00	± .01
				.000	± .005
2	REDRAWN ON CAD	DBT	06/06/97	.0000	± .0005
NO.	REVISION	BY	DATE	FRACTIONS	± 1/64
				ANGLES	± 1/2°
				INCH/MM	

**LEESON** ELECTRIC CORPORATION

EXT. WIRING DIAGRAM  
TYPE "C" W/PROTECTOR

BRF

DECAL - 080393

DRAWN	EJM	03/04/91	TITLE	EXT. WIRING DIAGRAM TYPE "C" W/PROTECTOR
CH'K'D.	SJB	03/08/91	MAT'L.	DECAL - 080393
APPR.	RPB	03/08/91	SCALE	1=1
REF.	005043.01	FINISH	SIZE	A
FMF	6C34FK49	DRAWING NO.	005330-02	