

# PRODUCT INFORMATION PACKET



Model No: M6K17DB33G

Catalog No: 113630.00

1HP..1725RPM.56.DP.V.1PH.60HZ.CONT.MANUAL.40C.1.15SF.RIGID.GENERAL  
PURPOSE.M6K17DB33F

Pressure Washers



Regal and Leeson are trademarks of Regal Beloit Corporation or one of its affiliated companies.

©2018 Regal Beloit Corporation, All Rights Reserved. MC017097E





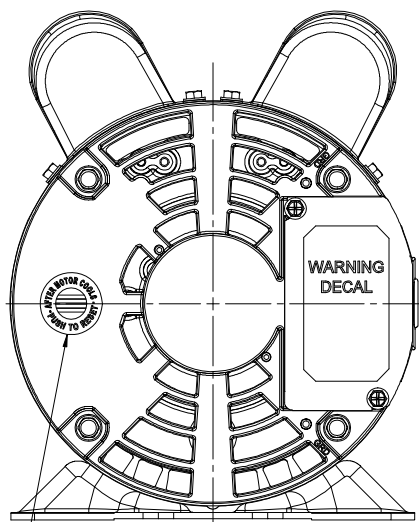
### Nameplate Specifications

Output HP	1 Hp	Output KW	0.75 kW
Frequency	60 Hz	Voltage	115/208-230 V
Current	10.6/5.3 A	Speed	1725 rpm
Service Factor	1.15	Phase	1
Efficiency	77 %	Duty	Continuous
Insulation Class	B	Design Code	N
KVA Code	J	Frame	56
Enclosure	Drip Proof	Overload Protector	Manual
Ambient Temperature	40 °C	Drive End Bearing Size	6203
Opp Drive End Bearing Size	6203	UL	Recognized
CSA	Y	CE	N
IP Code	22		

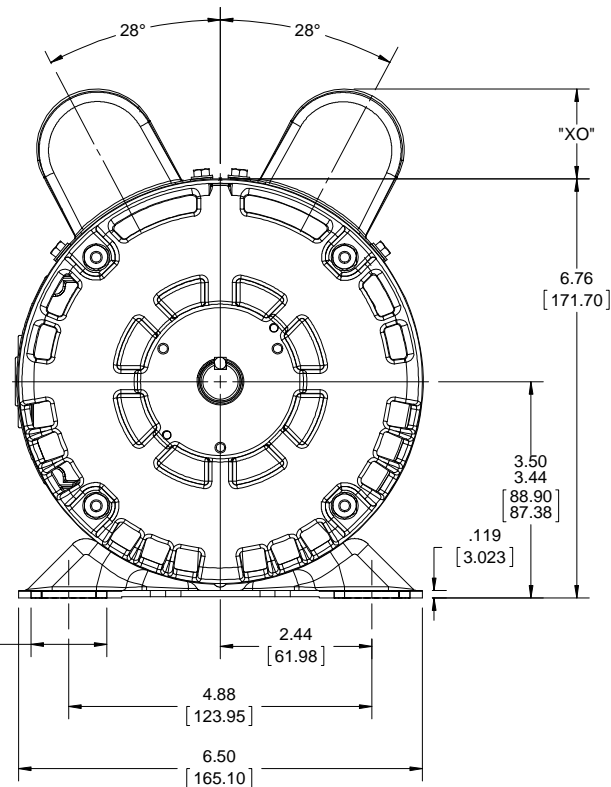
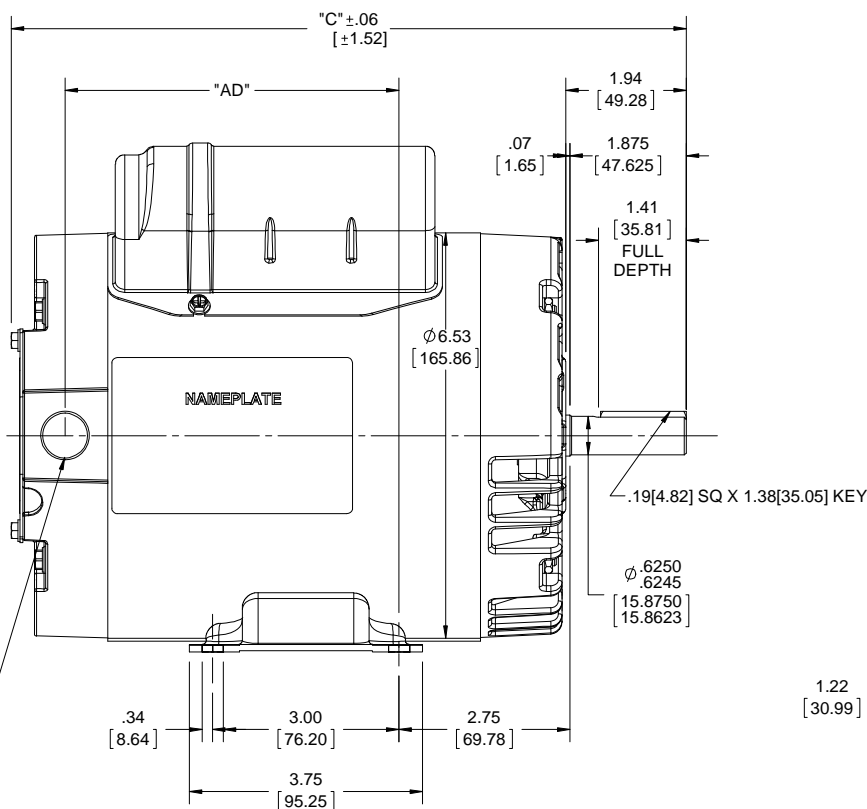
### Technical Specifications

Electrical Type	Capacitor Start Capacitor Run	Starting Method	Across The Line
Poles	4	Rotation	Selective Counterclockwise
Mounting	Rigid base	Motor Orientation	HORIZONTAL
Drive End Bearing	BALL	Opp Drive End Bearing	BALL
Frame Material	Rolled Steel	Shaft Type	NEMA 56
Overall Length	10.87 in	Frame Length	6.00 in
Shaft Diameter	0.625 in	Shaft Extension	1.88 in
Assembly/Box Mounting	F1 ONLY		
Outline Drawing	607-0328-600B	Connection Diagram	005053.01

This is an uncontrolled document once printed or downloaded and is subject to change without notice. Date Created: 10/15/2018



1/2-14 NPT (PLUGGED)



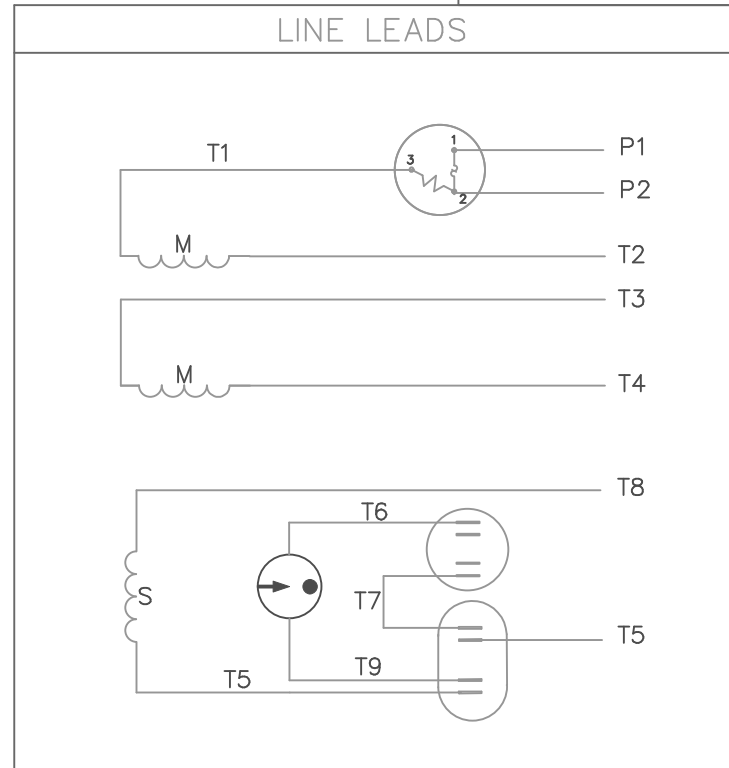
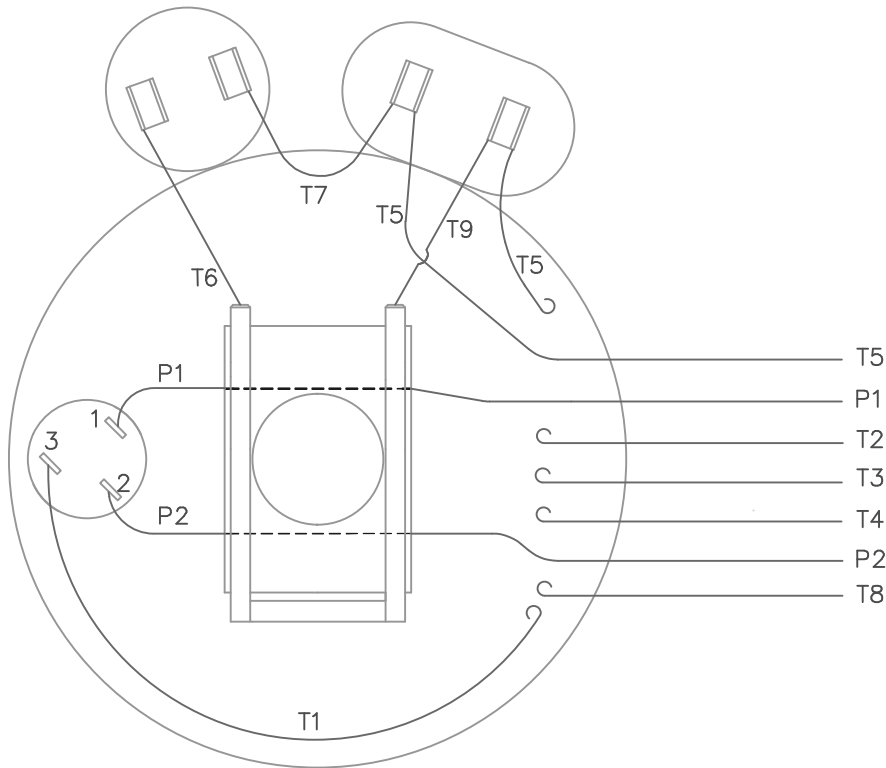
DASH NO.	"C"	"AD"	CAP. DASH	"XO"
			A	1.15[29.21]
600	10.87[276.09]	5.38[136.65]	B	1.45[36.83]
650	11.37[288.79]	5.88[149.35]	C	1.82[46.22]

DRAWING REVISION A	REVISION BY	DATE	TOLERANCES UNLESS OTHERWISE SPECIFIED:
ECO-0136357	APPROVED BY	DATE	DEC. INCH mm ANGLE ±0.5°
ECO DESCRIPTION OUTLINE CONVERSION PROJECT			.X ±0.1 [±2.5]
COPYRIGHT REGAL BELOIT AMERICA, INC. ALL RIGHTS RESERVED. PROPRIETARY AND CONFIDENTIAL INFORMATION - THIS DOCUMENT IS THE PROPERTY OF REGAL BELOIT AMERICA, INC. (OWNER) AND CONTAINS OWNER'S PROPRIETARY INFORMATION. ANY PERSON, CORPORATION OR OTHER FIRM RECEIVING IT IS DEEMED, BY RECEIVING IT, TO AGREE THAT IT, AND/OR ANY PART OF IT, SHALL NOT BE DISCLOSED TO ANY PERSON, CORPORATION OR OTHER ENTITY, DUPLICATED, AND/OR USED, EXCEPT AS EXPRESSLY APPROVED IN WRITING IN ADVANCE BY OWNER. THIS DOCUMENT SHALL BE RETURNED TO OWNER UPON REQUEST. IT MAY BE SUBJECT TO CERTAIN RESTRICTIONS UNDER APPLICABLE EXPORT CONTROL LAWS AND REGULATIONS.			.XX ±0.03 [±0.76]
			.XXX ±0.005 [±0.127]
			.XXXX ±0.0005 [±0.0127]
			REMOVE BURRS & BREAK SHARP EDGES: .003/.015 [0.076/.381] X 45°
			CORNER FILLETS: R.02 [51]
			MACHINED SURFACES: 125/3.2 INCH mm
			mm SHOWN IN [BRACKETS]

DRAWN BY A. KEETHA	DATE 12/22/2017
APPROVED BY OK	DATE 05/23/2018
REFERENCE 607-0261	THIRD ANGLE PROJECTION

Regal Beloit America, Inc.	
DESCRIPTION OUTLINE DRIP PROOF - RIGID 56Y FRAME	
MATERIAL	PROCESS/FINISH
SIZE B	DRAWING NUMBER 607-0328
SHEET 1 OF 1	

VIEW FROM OUTSIDE OF MOTOR AT SWITCH END.



	ROTATION FACING LEAD END	L1	L2	JOIN	INSULATE SEPARATELY
HIGH VOLT	C.C.W.	P1	T4 T5	T2,T3 T8	P2
	C.W.	P1	T4 T8	T2,T3 T5	P2
LOW VOLT	C.C.W.	P1	T2,T4 T5	P2,T3 T8	---
	C.W.	P1	T2,T4 T8	P2,T3 T5	---

				TOLERANCES UNLESS OTHERWISE SPECIFIED	
				DECIMALS	
				.00	± .01
				.000	± .005
18	REDRAWN ON CAD	DBT	05/27/97	.0000	± .0005
NO.	REVISION	BY	DATE	FRACTIONS	± 1/64
				ANGLES	± 1/2°
				INCH/MM	

**LEESON** ELECTRIC CORPORATION

DRAWN JRW 09/26/74	TITLE	EXTERNAL WIRING DIAGRAM TYPE "K" W/PROTECTOR
CH'K'D.	MAT'L.	DECAL 004011
APPR. TEM	SCALE 1=1	<b>BRF</b>
REF. 005004	FINISH	
FMF W-K 6341	SIZE A	DRAWING NO. 005053-01

THIS DRAWING IN DESIGN AND DETAIL IS OUR PROPERTY AND MUST NOT BE USED EXCEPT IN CONNECTION WITH OUR WORK ALL RIGHTS OF DESIGN AND INVENTION ARE RESERVED



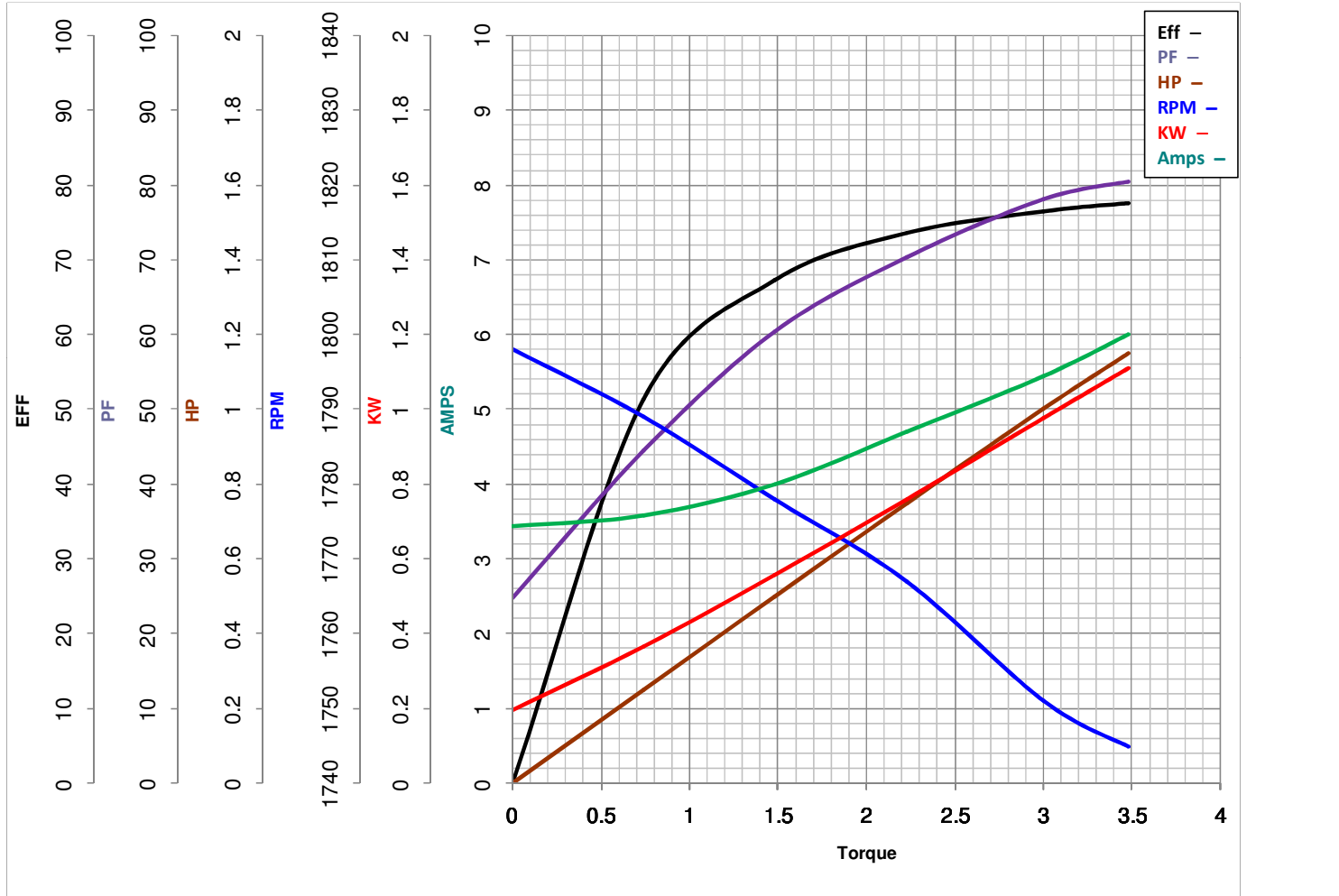
**LEESON ELECTRIC CORPORATION**  
 TYPICAL PERFORMANCE CURVE for AC MOTOR

Model No 113630.00

Curve at 230 Volts HP 1.00 PHASE 1  
60 HZ  
1 HP VOLTS 115/208-230

Catalog No 113630.00

HZ 60 RPM 1725



Torque in Lb.Ft

FL TORQUE 3 Lb.Ft  
 BD TORQUE 8.1 Lb.Ft  
 LR TORQUE 8.9 Lb.Ft

FL AMPS 10.6/5.3  
 PU TORQUE 7.3 Lb.Ft  
 LR AMPS 34

WINDING K634272-3

Date 3/26/2018