

# PRODUCT INFORMATION PACKET



Model No: C6T34VK4H

Catalog No: 113590.00

1HP..3450RPM.56.TENV.230/460V.3PH.60HZ.CONT.NOT.40C.1.15SF.RIGID C.WASHGUARD.C6T34VK4H

General Purpose



Regal and Leeson are trademarks of Regal Beloit Corporation or one of its affiliated companies.

©2018 Regal Beloit Corporation, All Rights Reserved. MC017097E





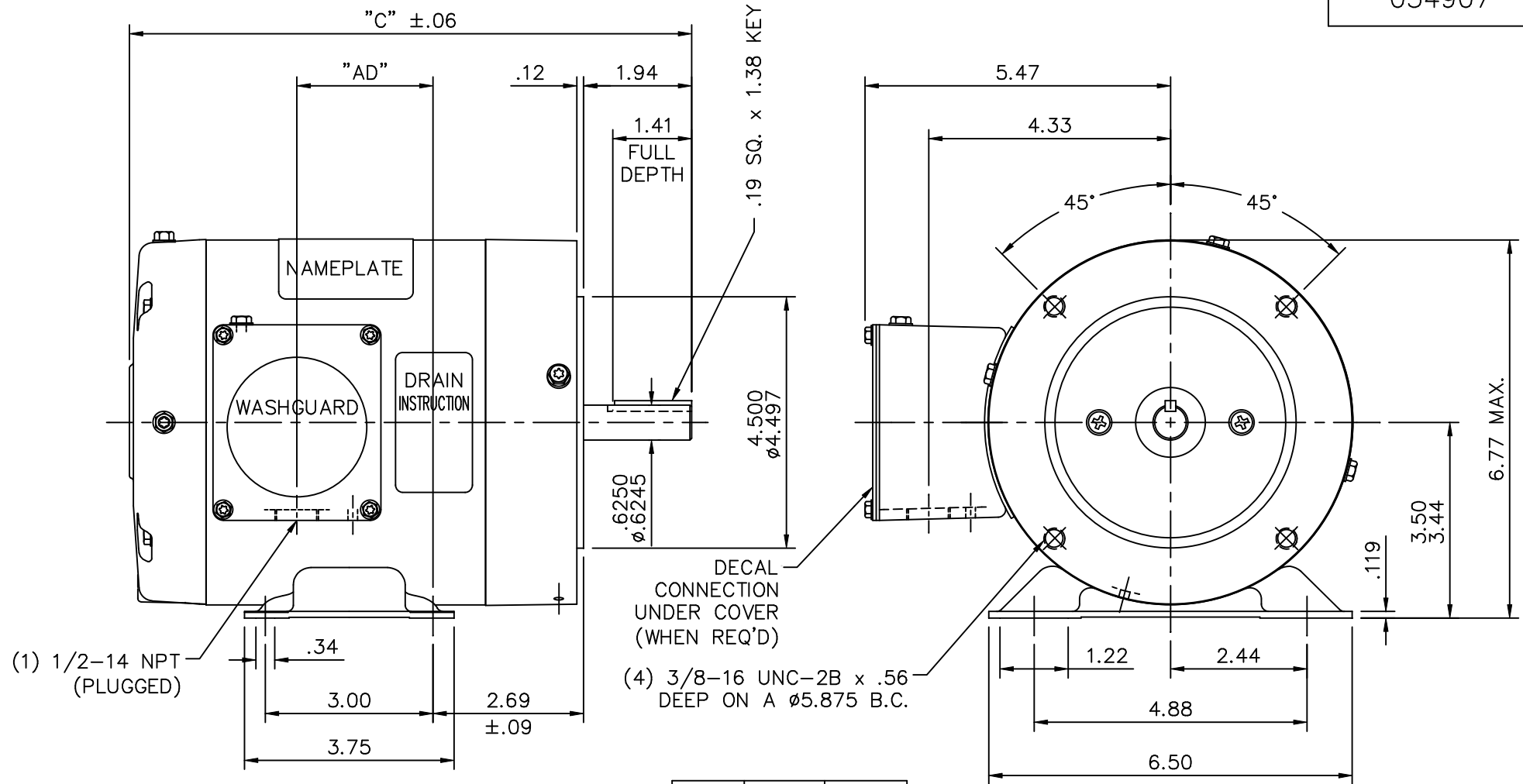
### Nameplate Specifications

Output HP	1 Hp	Output KW	0.75 kW
Frequency	60 Hz	Voltage	230/460 V
Current	2.8-2.6/1.3 A	Speed	3450 rpm
Service Factor	1.15	Phase	3
Efficiency	77 %	Duty	Continuous
Insulation Class	F	Design Code	B
KVA Code	L	Frame	56C
Enclosure	Totally Enclosed Non Ventilated	Overload Protector	No
Ambient Temperature	40 °C	Drive End Bearing Size	6205
Opp Drive End Bearing Size	6203	UL	Recognized
CSA	Y	CE	Y
IP Code	55		

### Technical Specifications

Electrical Type	Squirrel Cage Induction Run	Starting Method	Across The Line
Poles	2	Rotation	Reversible
Mounting	Rigid base	Motor Orientation	HORIZONTAL
Drive End Bearing	BALL	Opp Drive End Bearing	BALL
Frame Material	Rolled Steel	Shaft Type	NEMA 56
Overall Length	11.58 in	Frame Length	6.50 in
Shaft Diameter	0.625 in	Shaft Extension	1.88 in
Assembly/Box Mounting	F1 ONLY		
Outline Drawing	034907-650	Connection Diagram	005010.01

This is an uncontrolled document once printed or downloaded and is subject to change without notice. Date Created: 10/15/2018



**SPECIAL FEATURES:**

- 1) SHAFT SEALS & V-RING
- 2) DRAIN HOLES IN BOTH ENDBELLS & CONDUIT BOX
- 3) GASKETS THROUGHOUT
- 4) STAINLESS STEEL SHAFT, HARDWARE & NAMEPLATE

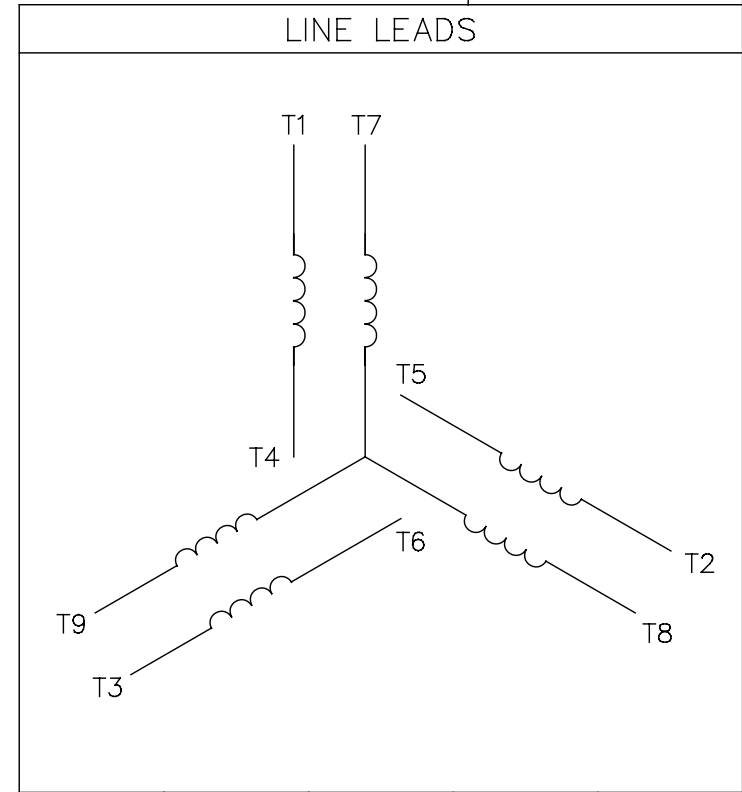
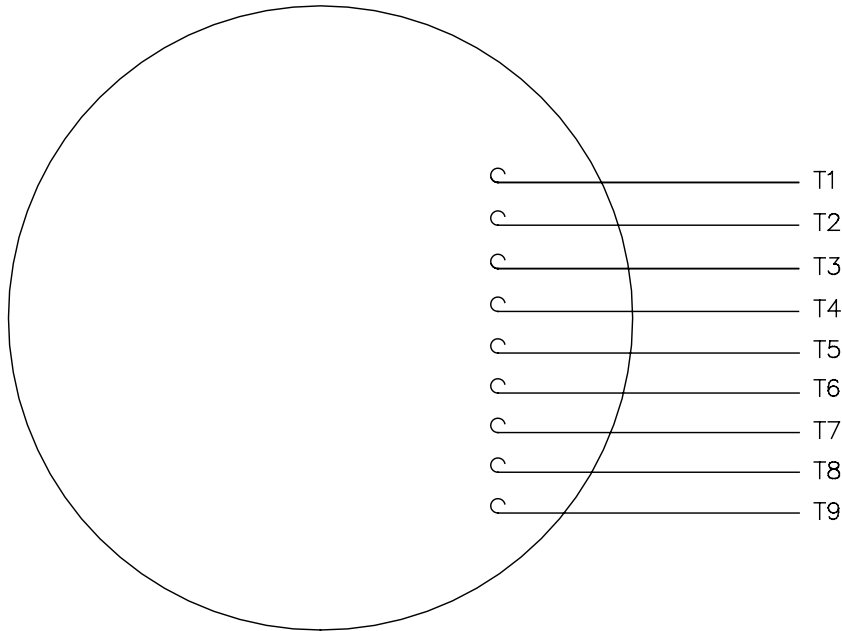
DASH NO.	"C"	"AD"
500	10.08	2.44
550	10.58	2.94
600	11.08	3.44
650	11.58	3.94

MAXIMUM FACE RUNOUT .004 T.I.R.  
 MAXIMUM PILOT ECCENTRICITY .004 T.I.R.  
 PERMISSIBLE SHAFT RUNOUT .002 T.I.R.

		TOLERANCES UNLESS SPECIFIED		<b>LEESON</b>	ELECTRIC MOTORS GEARMOTORS AND DRIVES	DRAWN RDW 12/12/01				
		DEC.	INCHES			CHK				
		.X	±.1			APPD KMM 12/12/01				
03	SHAFT END E.B. WAS 021255-19 PER ECO 04-1702	LST 9/17/04	.XX	±.03	TITLE	OUTLINE - 56C FRAME TENV - RIGID "C"	SCALE 3=8			
02	REVISED OUTLINE TO CURRENT STNDS.	RDW 2/11/03	SW	.XXX	±.005	REF	033694			
01	L.E. ENDBELL WAS 021209.27	KMM 8/19/02		.XXXX	±.0005	FMF				
NO.	REVISION	BY & DATE	CHK	ANG	±1/2'	FINISH	PREV			
THIS DRAWING IN DESIGN AND DETAIL IS OUR PROPERTY AND MUST NOT BE USED EXCEPT IN CONNECTION WITH OUR WORK ALL RIGHTS OF DESIGN AND INVENTION ARE RESERVED THIS IS AN ELECTRONICALLY GENERATED DOCUMENT - DO NOT SCALE THIS PRINT				RFP	12/12/01	CAD FILE	034907	SIZE	DRAWING NO.	REV.
				DIST				A	034907	03

005010-01

VIEW FROM OUTSIDE OF MOTOR AT SWITCH END.



VOLTAGE	L1	L2	L3	JOIN & INSULATE
HIGH	T1	T2	T3	(T4,T7) (T5,T8) (T6,T9)
LOW	T1,T7	T2,T8	T3,T9	T4,T5,T6

				TOLERANCES UNLESS SPECIFIED		<b>Regal Beloit America, Inc.</b>		DRAWN RDW 04/12/02			
				DEC.	INCHES			CHK			
				.X	±.1			APPD			
				.XX	±.01			SCALE 1=1			
				.XXX	±.005	TITLE		REF FIG.2-51			
A	UPDATED TO REGAL LOGO	SAJ 06/26/15	AJY	.XXXX	±.0005	MAT'L.		FMF			
NO.	REVISION	BY & DATE	CHK	ANG	±1/2"	FINISH		PREV			
THIS DRAWING IN DESIGN AND DETAIL IS OUR PROPERTY AND MUST NOT BE USED EXCEPT IN CONNECTION WITH OUR WORK ALL RIGHTS OF DESIGN AND INVENTION ARE RESERVED THIS IS AN ELECTRONICALLY GENERATED DOCUMENT - DO NOT SCALE THIS PRINT				RFP	04/12/02	CAD FILE		00501001	SIZE	DRAWING NO.	REV.
				DIST		BRF-NLV		A	005010-01	A	

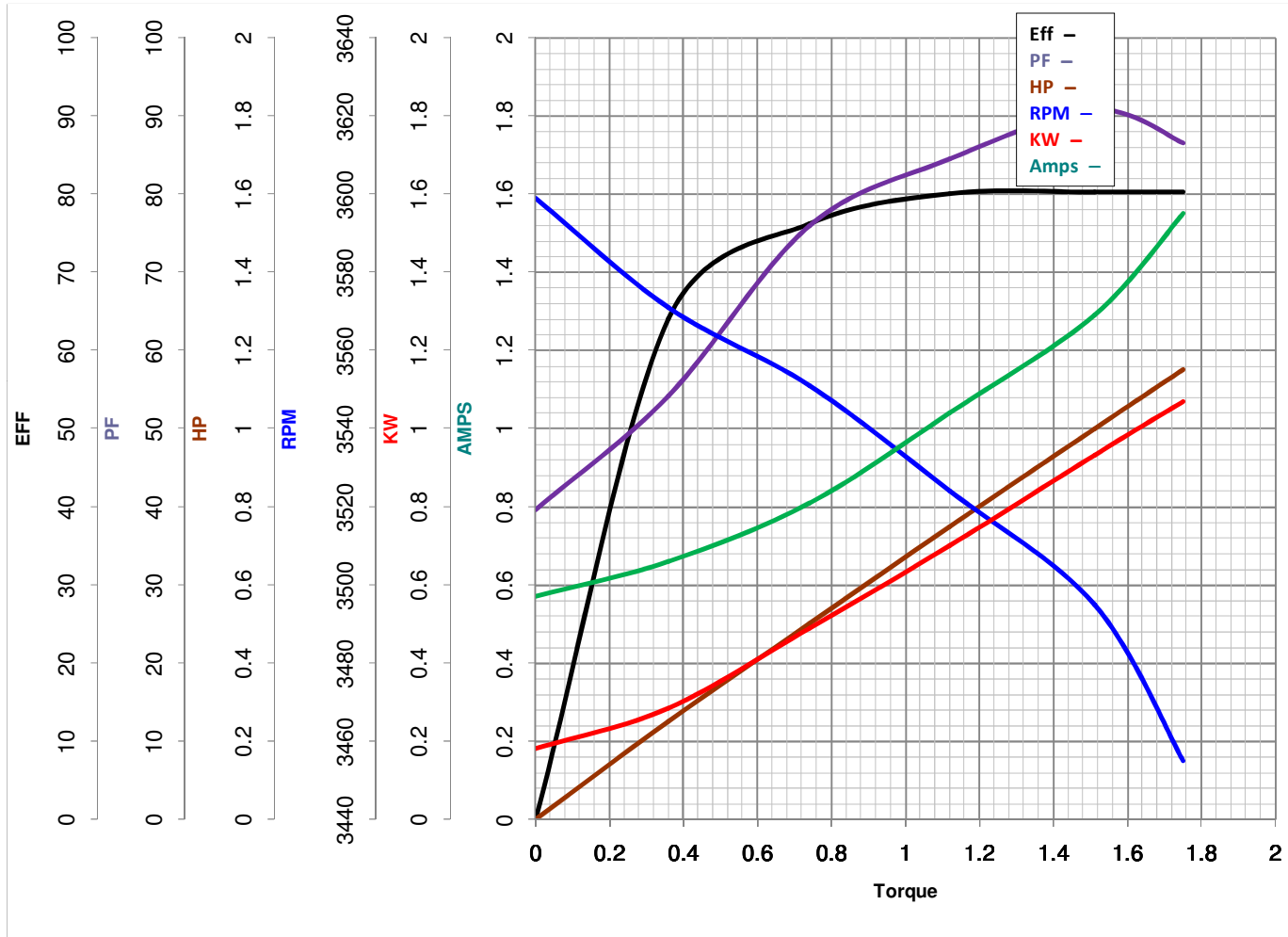


**LEESON ELECTRIC CORPORATION**  
 TYPICAL PERFORMANCE CURVE for AC MOTOR

Model No 113590.00

Catalog No 113590.00

Curve at 460 Volts      HP 1.00      PHASE 3  
60 HZ  
1 HP      VOLTS 230/460  
 HZ 60      RPM 3450



Torque in Lb.Ft

FL TORQUE 1.51 Lb.Ft  
 BD TORQUE 6.0 Lb.Ft  
 LR TORQUE 4.5 Lb.Ft

FL AMPS 2.8-2.6/1.3  
 PU TORQUE 4.3 Lb.Ft  
 LR AMPS 12

WINDING T632166-3

Date 5/22/2018