

PRODUCT INFORMATION PACKET



Model No: C6T34VK2H

Catalog No: 113589.00

3/4HP..3450RPM.56.TENV.208-230/460V.3PH.60HZ.CONT.NOT.40C.1.15SF.RIGID
C.WASHGUARD.C6T34VK2H

General Purpose



Regal and Leeson are trademarks of Regal Beloit Corporation or one of its affiliated companies.

©2018 Regal Beloit Corporation, All Rights Reserved. MC017097E





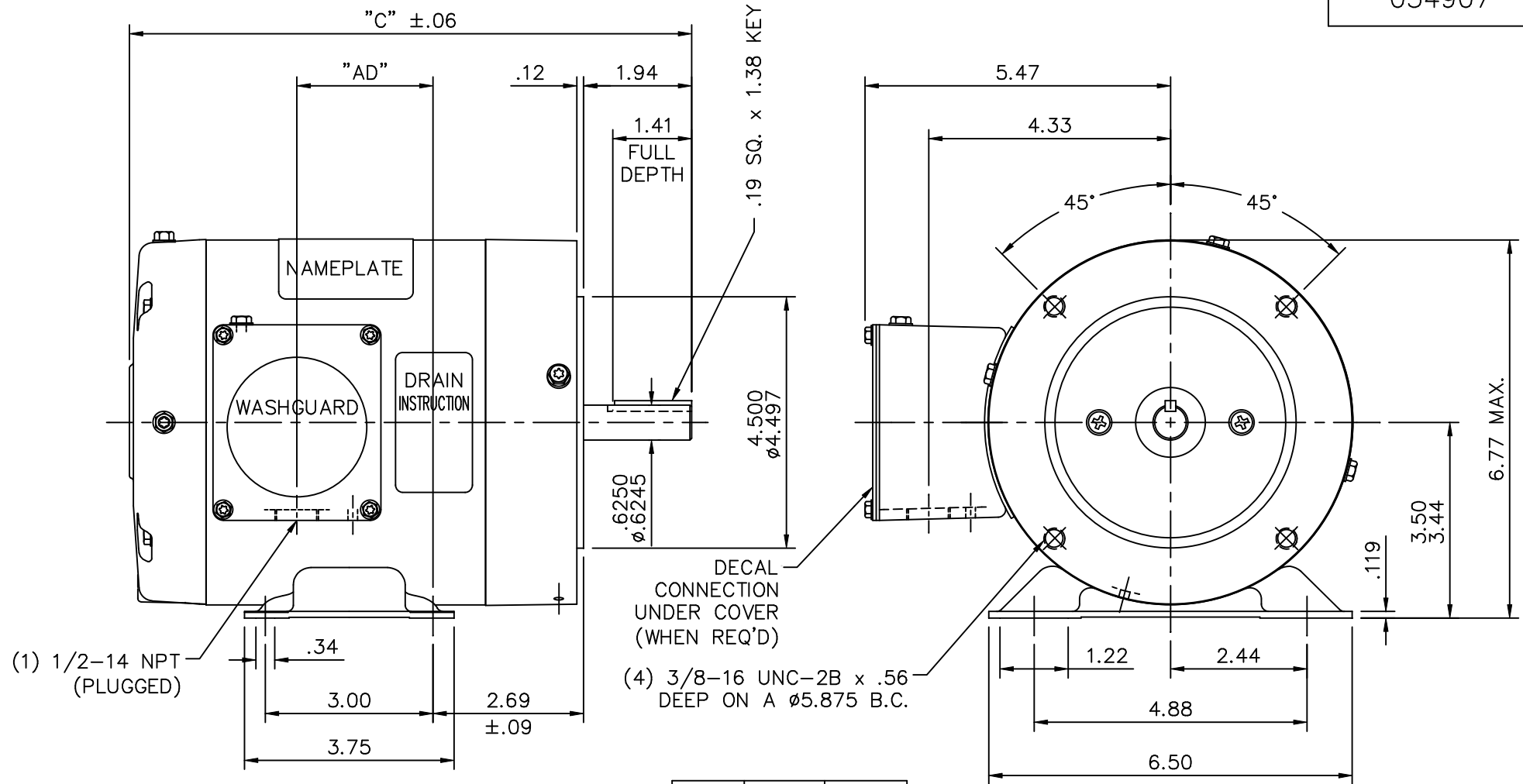
Nameplate Specifications

Output HP	0.75 Hp	Output KW	0.56 kW
Frequency	60 Hz	Voltage	208-230/460 V
Current	2.6-2.4/1.2 A	Speed	3450 rpm
Service Factor	1.15	Phase	3
Efficiency	84 %	Duty	Continuous
Insulation Class	F	Design Code	B
KVA Code	L	Frame	56C
Enclosure	Totally Enclosed Non Ventilated	Overload Protector	No
Ambient Temperature	40 °C	Drive End Bearing Size	6205
Opp Drive End Bearing Size	6203	UL	Recognized
CSA	Y	CE	Y
IP Code	55		

Technical Specifications

Electrical Type	Squirrel Cage Induction Run	Starting Method	Across The Line
Poles	2	Rotation	Reversible
Mounting	Rigid base	Motor Orientation	HORIZONTAL
Drive End Bearing	BALL	Opp Drive End Bearing	BALL
Frame Material	Rolled Steel	Shaft Type	NEMA 56
Overall Length	11.08 in	Frame Length	6.00 in
Shaft Diameter	0.625 in	Shaft Extension	1.88 in
Assembly/Box Mounting	F1 ONLY		
Outline Drawing	034907-600	Connection Diagram	005010.01

This is an uncontrolled document once printed or downloaded and is subject to change without notice. Date Created: 10/15/2018



SPECIAL FEATURES:

- 1) SHAFT SEALS & V-RING
- 2) DRAIN HOLES IN BOTH ENDBELLS & CONDUIT BOX
- 3) GASKETS THROUGHOUT
- 4) STAINLESS STEEL SHAFT, HARDWARE & NAMEPLATE

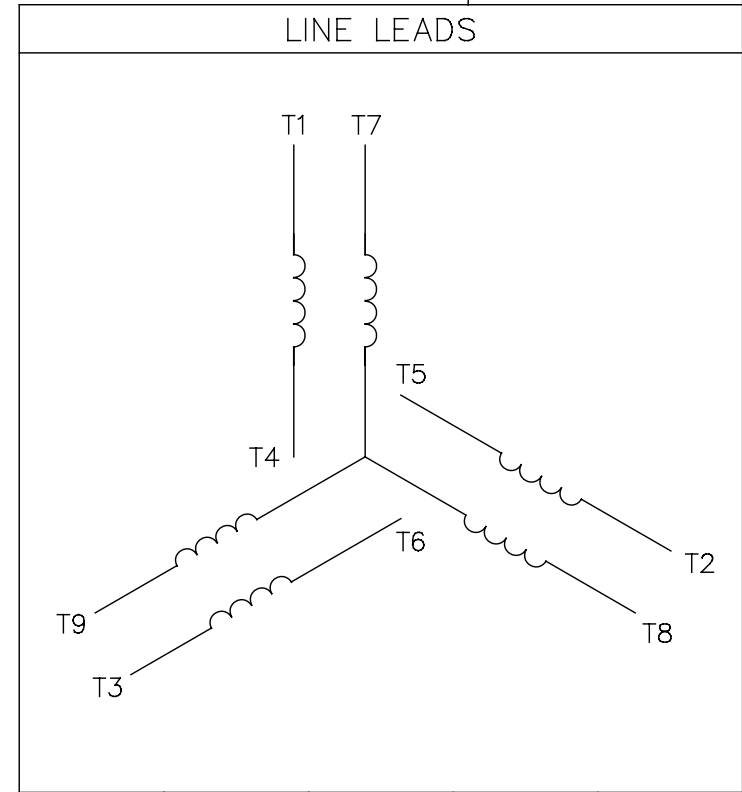
DASH NO.	"C"	"AD"
500	10.08	2.44
550	10.58	2.94
600	11.08	3.44
650	11.58	3.94

MAXIMUM FACE RUNOUT .004 T.I.R.
 MAXIMUM PILOT ECCENTRICITY .004 T.I.R.
 PERMISSIBLE SHAFT RUNOUT .002 T.I.R.

		TOLERANCES UNLESS SPECIFIED		LEESON	ELECTRIC MOTORS GEARMOTORS AND DRIVES	DRAWN RDW 12/12/01		
		DEC.	INCHES			CHK		
		.X	±.1			APPD KMM 12/12/01		
03	SHAFT END E.B. WAS 021255-19 PER ECO 04-1702	LST 9/17/04	.XX	±.03	TITLE	OUTLINE - 56C FRAME TENV - RIGID "C"	SCALE 3=8	
02	REVISED OUTLINE TO CURRENT STNDS.	RDW 2/11/03	SW	.XXX	±.005	REF	033694	
01	L.E. ENDBELL WAS 021209.27	KMM 8/19/02		.XXXX	±.0005	FMF		
NO.	REVISION	BY & DATE	CHK	ANG	±1/2'	FINISH	PREV	
THIS DRAWING IN DESIGN AND DETAIL IS OUR PROPERTY AND MUST NOT BE USED EXCEPT IN CONNECTION WITH OUR WORK ALL RIGHTS OF DESIGN AND INVENTION ARE RESERVED THIS IS AN ELECTRONICALLY GENERATED DOCUMENT - DO NOT SCALE THIS PRINT				RFP 12/12/01	CAD FILE 034907	SIZE A	DRAWING NO. 034907	REV. 03

005010-01

VIEW FROM OUTSIDE OF MOTOR AT SWITCH END.



VOLTAGE	L1	L2	L3	JOIN & INSULATE
HIGH	T1	T2	T3	(T4,T7) (T5,T8) (T6,T9)
LOW	T1,T7	T2,T8	T3,T9	T4,T5,T6

				TOLERANCES UNLESS SPECIFIED		REGAL ™ Regal Beloit America, Inc.		DRAWN RDW 04/12/02		
				DEC.	INCHES			CHK		
				.X	±.1			APPD		
				.XX	±.01	TITLE EXTERNAL WIRING DIAGRAM 3 PHASE W/O PROTECTOR		SCALE 1=1		
				.XXX	±.005			REF FIG.2-51		
A	UPDATED TO REGAL LOGO	SAJ 06/26/15	AJY	.XXXX	±.0005	MAT'L DECAL - 004014		FMF		
NO.	REVISION	BY & DATE	CHK	ANG	±1/2"	FINISH		PREV		
THIS DRAWING IN DESIGN AND DETAIL IS OUR PROPERTY AND MUST NOT BE USED EXCEPT IN CONNECTION WITH OUR WORK ALL RIGHTS OF DESIGN AND INVENTION ARE RESERVED THIS IS AN ELECTRONICALLY GENERATED DOCUMENT - DO NOT SCALE THIS PRINT				RFP	04/12/02	CAD FILE 00501001		SIZE	DRAWING NO.	REV.
				DIST BRF-NLV		A	005010-01	A		

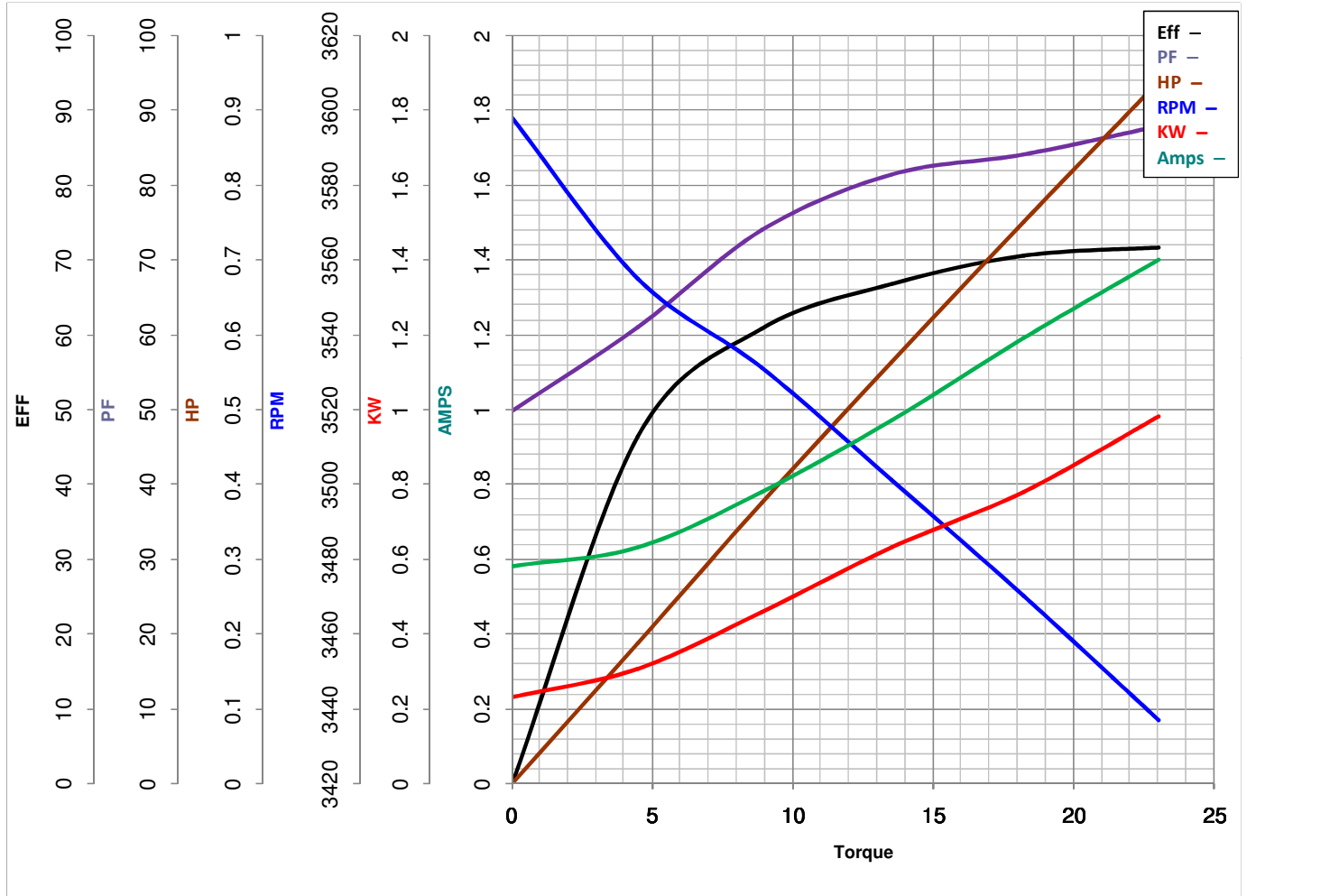


LEESON ELECTRIC CORPORATION
TYPICAL PERFORMANCE CURVE for AC MOTOR

Model No 113589.00

Catalog No 113589.00

Curve at 460 Volts HP 0.75 PHASE 3
60 HZ
0.75 HP VOLTS 208-230/460
HZ 60 RPM 3450



FL TORQUE	<u>18.2</u> Oz.Ft	FL AMPS	<u>2.6-2.4/1.2</u>
BD TORQUE	<u>72.2</u> Oz.Ft	PU TORQUE	<u>54.8</u> Oz.Ft
LR TORQUE	<u>57.04</u> Oz.Ft	LR AMPS	<u>8.8</u>
WINDING	T632189-3	Date	5/22/2018