

# PRODUCT INFORMATION PACKET



Model No: C6T17VC4H  
Catalog No: 113473.00  
..1/2HP..1725RPM.56.TENV.208-230/460V.3PH.60HZ.CONT.40C.1.15SF.C  
FACE.C6T17VC4H.....WASHGUARD.NOT.....  
General Purpose



Regal and Leeson are trademarks of Regal Beloit Corporation or one of its affiliated companies.  
©2018 Regal Beloit Corporation, All Rights Reserved. MC017097E





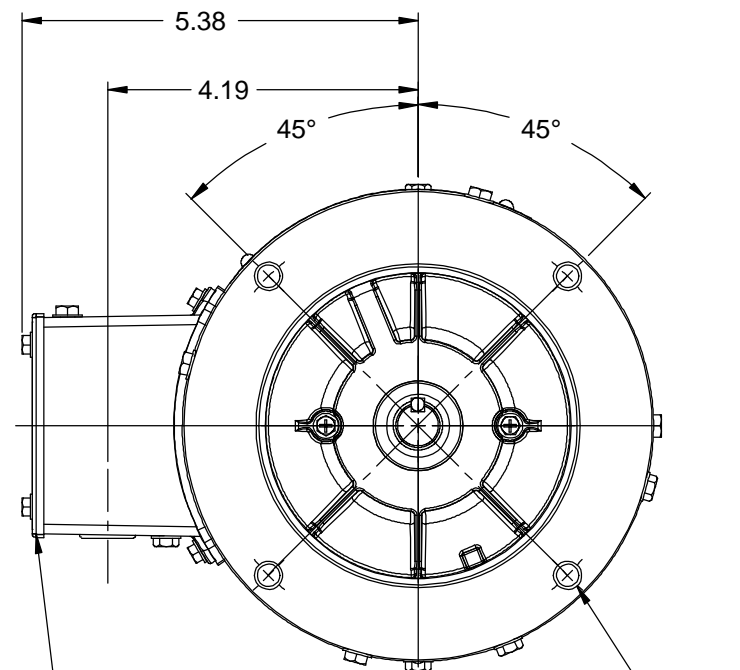
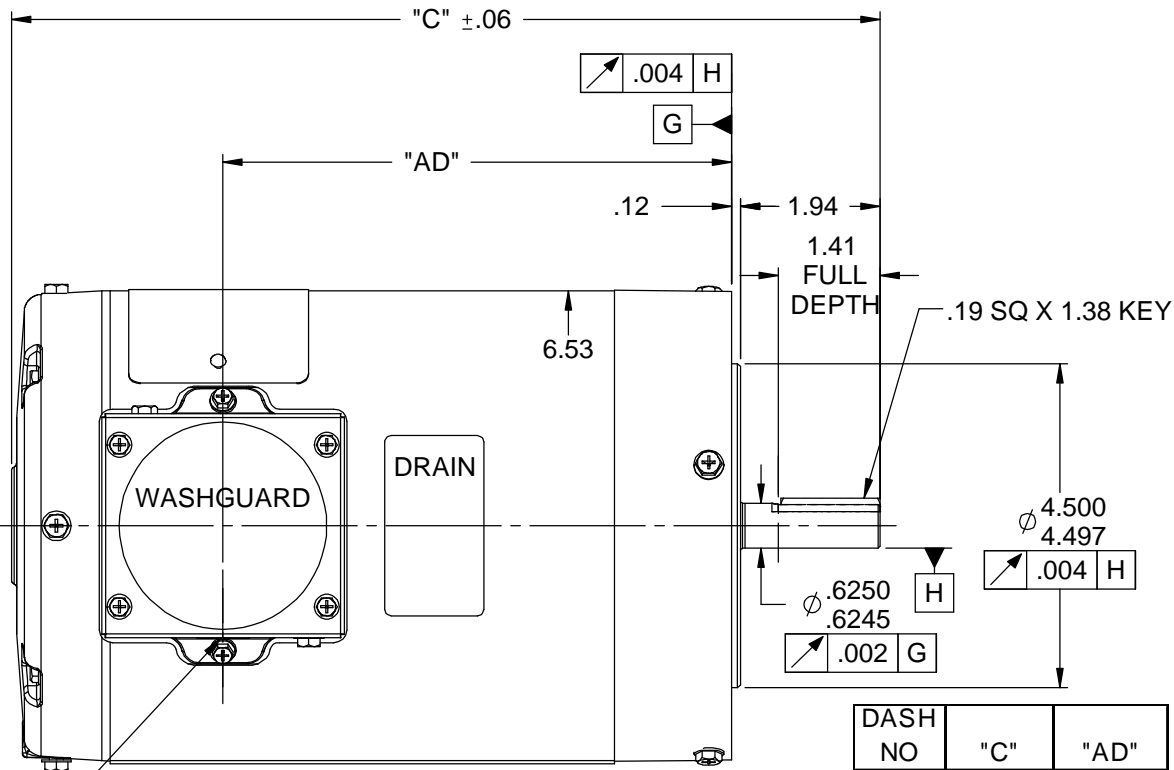
### Nameplate Specifications

Output HP	<b>0.50 Hp</b>	Output KW	<b>0.37 kW</b>
Frequency	<b>60 Hz</b>	Voltage	<b>208-230/460 V</b>
Current	<b>2.0-1.8/0.90 A</b>	Speed	<b>1725 rpm</b>
Service Factor	<b>1.15</b>	Phase	<b>3</b>
Efficiency	<b>78.5 %</b>	Duty	<b>Continuous</b>
Insulation Class	<b>F</b>	Design Code	<b>B</b>
KVA Code	<b>L</b>	Frame	<b>56C</b>
Enclosure	<b>Totally Enclosed Non Ventilated</b>	Overload Protector	<b>No</b>
Ambient Temperature	<b>40 °C</b>	Drive End Bearing Size	<b>6205</b>
Opp Drive End Bearing Size	<b>6203</b>	UL	<b>Recognized</b>
CSA	<b>Y</b>	CE	<b>Y</b>
IP Code	<b>55</b>		

### Technical Specifications

Electrical Type	<b>Squirrel Cage Induction Run</b>	Starting Method	<b>Across The Line</b>
Poles	<b>4</b>	Rotation	<b>Reversible</b>
Mounting	<b>Round</b>	Motor Orientation	<b>HORIZONTAL</b>
Drive End Bearing	<b>BALL</b>	Opp Drive End Bearing	<b>BALL</b>
Frame Material	<b>Rolled Steel</b>	Shaft Type	<b>NEMA 56</b>
Overall Length	<b>10.06 in</b>	Frame Length	<b>5.00 in</b>
Shaft Diameter	<b>0.625 in</b>	Shaft Extension	<b>1.88 in</b>
Assembly/Box Mounting	<b>F1 ONLY</b>		
Outline Drawing	<b>028834-500</b>	Connection Diagram	<b>005010.01</b>

**This is an uncontrolled document once printed or downloaded and is subject to change without notice. Date Created: 10/15/2018**



DASH NO	"C"	"AD"
450	9.56	4.56
500	10.06	5.06
550	10.56	5.56
600	11.06	6.06
650	11.56	6.56
700	12.06	7.06
750	12.56	7.56
800	13.06	8.06

(1) 1/2-14 NPT (PLUGGED)

- NOTE:
- 1) SHAFT SEAL & V-RING
  - 2) DRAIN HOLES IN BOTH ENDBELLS & CONDUIT BOX
  - 3) GASKETS THROUGHOUT
  - 4) STAINLESS STEEL SHAFT, HARDWARE & NAMEPLATE

DECAL CONNECTION UNDER COVER (WHEN REQ'D)

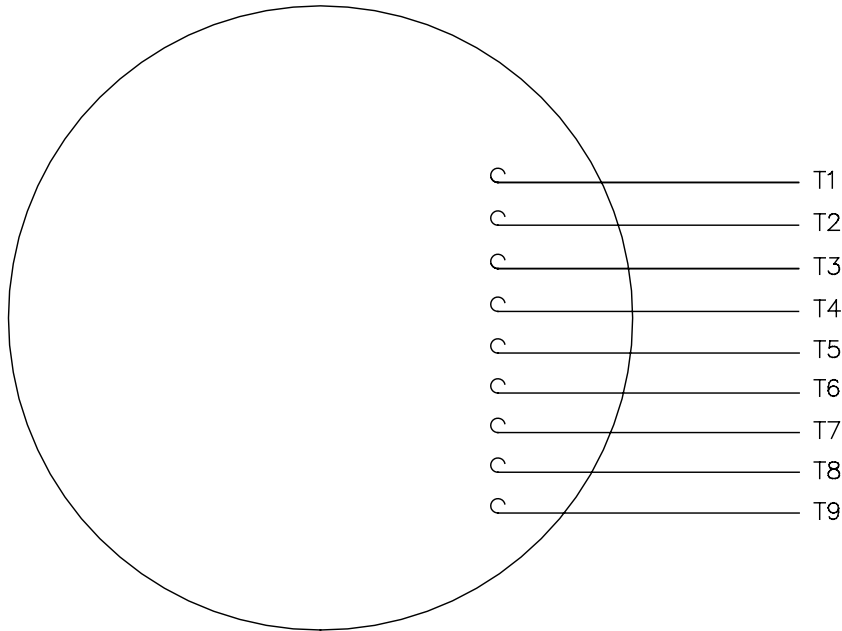
(4) 3/8-16 UNC-2B X .56 DEEP ON A DIA. 5.875 B.C.

				TOLERANCES UNLESS SPECIFIED				ELECTRIC MOTORS		DRAWN GS 7/20/12	
				DEC	INCHES			GEARMOTORS		CHK	
				.X	±.1	TITLE OUTLINE - 56C FRAME TENV - "C" FACE MAT'L WASHGUARD		APPR		SCALE 3:8	
				.XX	±.03			REF		FMF 113019	
				.XXX	±.005			PAGE OF		REV	
				.XXX	±.0005			FINISH		SIZE	
NO	REVISION	BY & DATE	CHK	ANG	±1/2°	PREV		A		028834	
				RFP		NETWORK FILE NAME 028834					



005010-01

VIEW FROM OUTSIDE OF MOTOR AT SWITCH END.



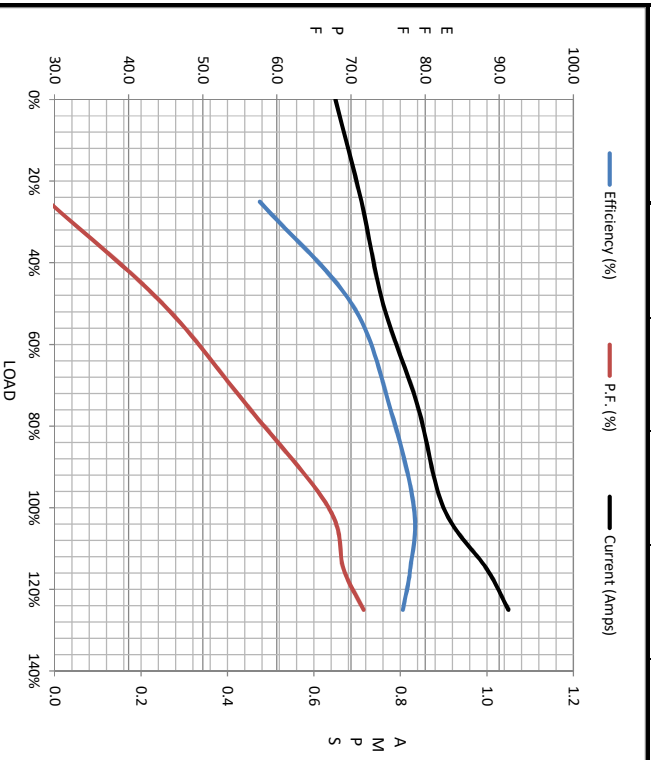
VOLTAGE	L1	L2	L3	JOIN & INSULATE
HIGH	T1	T2	T3	(T4,T7) (T5,T8) (T6,T9)
LOW	T1,T7	T2,T8	T3,T9	T4,T5,T6

				TOLERANCES UNLESS SPECIFIED		<b>Regal Beloit America, Inc.</b>		DRAWN RDW 04/12/02				
				DEC.	INCHES			CHK				
				.X	±.1			APPD				
				.XX	±.01			SCALE 1=1				
				.XXX	±.005	TITLE		REF FIG.2-51				
A	UPDATED TO REGAL LOGO			SAJ	06/26/15	AJY	.XXXX	±.0005	MAT'L.	DECAL - 004014	FMF	
NO.	REVISION			BY & DATE	CHK	ANG	±1/2"	FINISH			PREV	
THIS DRAWING IN DESIGN AND DETAIL IS OUR PROPERTY AND MUST NOT BE USED EXCEPT IN CONNECTION WITH OUR WORK ALL RIGHTS OF DESIGN AND INVENTION ARE RESERVED THIS IS AN ELECTRONICALLY GENERATED DOCUMENT - DO NOT SCALE THIS PRINT				RFP	04/12/02		CAD FILE	00501001		SIZE	DRAWING NO.	
				DIST		BRF-NLV			A	005010-01		REV.



Motor Load Data						
Load	0%	25%	50%	75%	100%	LR
Current (Amps)	0.65	0.71	0.76	0.84	0.90	12.2
Torque (ft-lb)	0.00	96.0	192	288	384	1,153
RPM	1800	1788	1776	1764	1750	0
Efficiency (%)		57.7	70.1	75.2	78.5	78.0
P.F. (%)	13.1	29.2	44.6	56.0	67.0	71.7

Motor Speed Data						Information Block																					
	LR	Pull-Up	BD	Rated	Idle	HP	Sync. RPM	Frame	Enclosure	Construction	Voltage	Frequency	Design	LR Code letter	Service Factor	Temp Rise @ FL	Duty	Ambient	Elevation	Rotor/Shaft wk <sup>2</sup>	Ref Wdg	Sound Pressure @ 1M	VFD Rating	Outline Dwg	Conn. Diag	Additional Specifications:	
Speed (RPM)	0	300	1310	1750	1800	0.5	1800	140	TENV	TTR	208-230/460	60	A	L	1.15	70	CONT	40	1,000	0.06	0	NONE	028834-500	005010.01			
Current (Amps)	12.2	5.7	4.5	0.90	0.55																						
Torque (ft-lb)	1,153	1,142	1,564	384	0.00																						



EQUIV CKT (OHMS / PHASE)					
R1	R2	X1	X2	Xm	
0.0000	0.0000	0.0000	0.0000	0.0000	

