

# PRODUCT INFORMATION PACKET



Model No: C6T34FK35 E

Catalog No: 113029.00

1HP..3450RPM.56.TEFC.230/460V.3PH.60HZ.CONT.NOT.40C.1.15SF.RIGID C.JET PUMP.C6T34FK35E  
Jet Pump



Regal and Leeson are trademarks of Regal Beloit Corporation or one of its affiliated companies.

©2018 Regal Beloit Corporation, All Rights Reserved. MC017097E





### Nameplate Specifications

Output HP	<b>1 Hp</b>	Output KW	<b>0.75 kW</b>
Frequency	<b>60 Hz</b>	Voltage	<b>230/460 V</b>
Current	<b>3.2/1.6 A</b>	Speed	<b>3450 rpm</b>
Service Factor	<b>1.15</b>	Phase	<b>3</b>
Efficiency	<b>77 %</b>	Duty	<b>Continuous</b>
Insulation Class	<b>B</b>	Design Code	<b>B</b>
KVA Code	<b>J</b>	Frame	<b>56J</b>
Enclosure	<b>Totally Enclosed Fan Cooled</b>	Overload Protector	<b>No</b>
Ambient Temperature	<b>40 °C</b>	Drive End Bearing Size	<b>6203</b>
Opp Drive End Bearing Size	<b>6203</b>	UL	<b>Recognized</b>
CSA	<b>Y</b>	CE	<b>N</b>
IP Code	<b>43</b>		

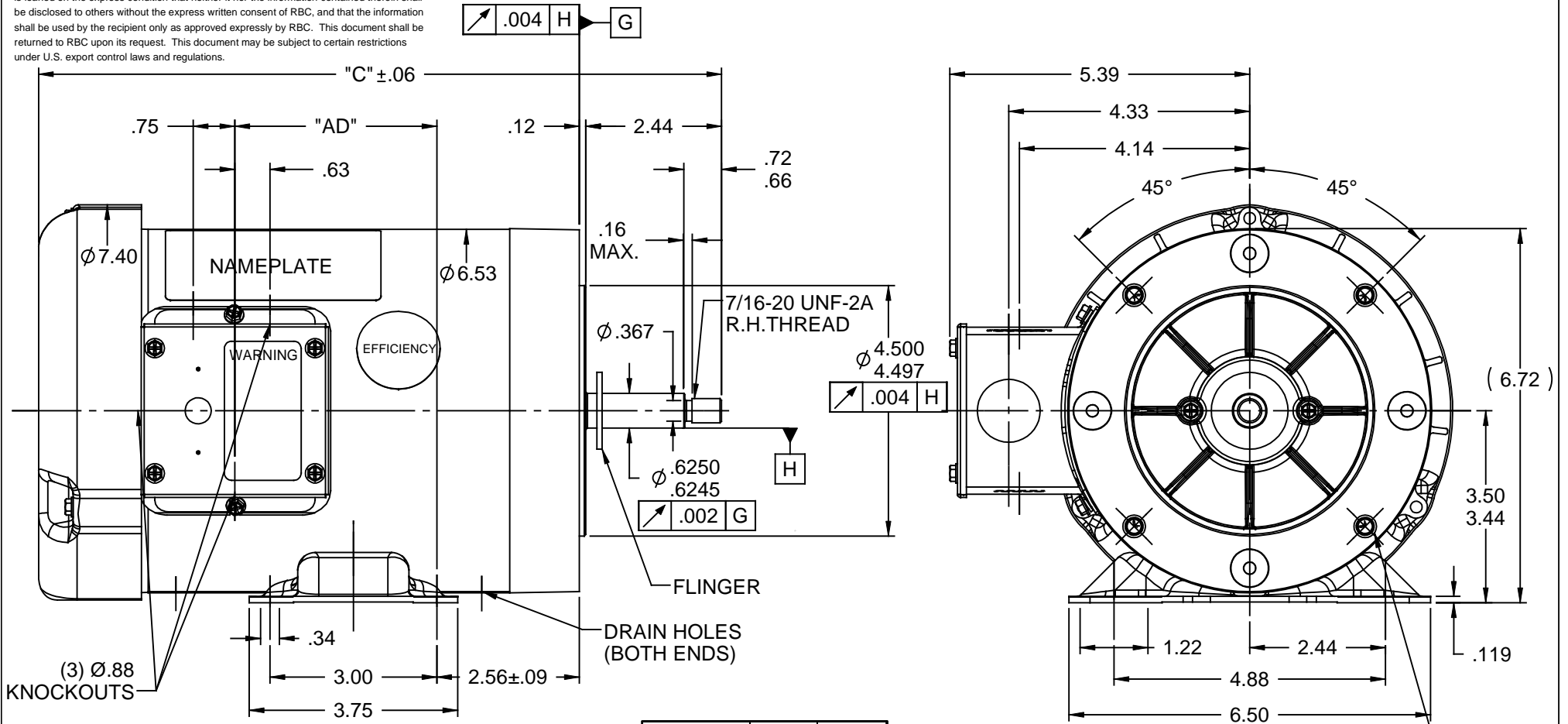
### Technical Specifications

Electrical Type	<b>Squirrel Cage Induction Run</b>	Starting Method	<b>Across The Line</b>
Poles	<b>2</b>	Rotation	<b>Reversible</b>
Mounting	<b>Rigid base</b>	Motor Orientation	<b>HORIZONTAL</b>
Drive End Bearing	<b>BALL</b>	Opp Drive End Bearing	<b>BALL</b>
Frame Material	<b>Rolled Steel</b>	Shaft Type	<b>J</b>
Overall Length	<b>10.78 in</b>	Frame Length	<b>5.00 in</b>
Shaft Diameter	<b>0.625 in</b>	Shaft Extension	<b>2.44 in</b>
Assembly/Box Mounting	<b>F1 ONLY</b>		
Outline Drawing	<b>028840-500</b>	Connection Diagram	<b>005010.01</b>

**This is an uncontrolled document once printed or downloaded and is subject to change without notice. Date Created: 10/15/2018**

RBC PROPRIETARY AND CONFIDENTIAL INFORMATION

This document is the property of REGAL BELOIT CORPORATION ("RBC") including its subsidiaries and divisions and contains proprietary information of RBC. This document is loaned on the express condition that neither it nor the information contained therein shall be disclosed to others without the express written consent of RBC, and that the information shall be used by the recipient only as approved expressly by RBC. This document shall be returned to RBC upon its request. This document may be subject to certain restrictions under U.S. export control laws and regulations.



- NOTES:**  
 1) GASKETS THROUGHOUT  
 2) FLINGER ON SHAFT  
 3) STAINLESS STEEL SHAFT EXTENSION

DASH NO.	"C"	"AD"
700	12.78	4.13
650	12.28	3.63
600	11.78	3.13
550	11.28	2.63
500	10.78	2.13

(4) 3/8-16 UNC-2B X .56 DEEP ON A Ø5.875 B.C.

		TOLERANCES UNLESS SPECIFIED		ELECTRIC MOTORS GEARMOTORS AND DRIVES	DRAWN GRB 07/01/2008
		DEC	INCHES		CHK DJ 07/01/2008
		.X	±.1		APPR
		.XX	±.03		SCALE 3:8
		.XXX	±.005		REF 028545
01	DRAIN HOLES WERE PLUGGED	DJ	8/8/2008	.XXXX ±.0005	MAT'L JET PUMP
NO	REVISION	BY & DATE	CHK	ANG ±1/2°	FINISH
			RFP	PREV	SIZE
			NETWORK FILE NAME		DRAWING NO
					<b>A</b>
					<b>028840</b>
					REV
					<b>01</b>



005010-01

VIEW FROM OUTSIDE OF MOTOR AT SWITCH END.



VOLTAGE	L1	L2	L3	JOIN & INSULATE
HIGH	T1	T2	T3	(T4,T7) (T5,T8) (T6,T9)
LOW	T1,T7	T2,T8	T3,T9	T4,T5,T6

				TOLERANCES UNLESS SPECIFIED		<b>Regal Beloit America, Inc.</b>		DRAWN RDW 04/12/02			
				DEC.	INCHES			CHK			
				.X	±.1			APPD			
				.XX	±.01			SCALE 1=1			
				.XXX	±.005	TITLE		REF FIG.2-51			
A	UPDATED TO REGAL LOGO		SAJ 06/26/15	AJY	.XXXX ±.0005	MAT'L.		FMF			
NO.	REVISION		BY & DATE	CHK	ANG ±1/2"	FINISH		PREV			
THIS DRAWING IN DESIGN AND DETAIL IS OUR PROPERTY AND MUST NOT BE USED EXCEPT IN CONNECTION WITH OUR WORK ALL RIGHTS OF DESIGN AND INVENTION ARE RESERVED THIS IS AN ELECTRONICALLY GENERATED DOCUMENT - DO NOT SCALE THIS PRINT				RFP	04/12/02	CAD FILE		00501001	SIZE	DRAWING NO.	REV.
						DIST	BRF-NLV			A	005010-01



P.O. BOX 8003  
WAUSAU, WI 54401-8003  
PH. 715-675-3311

DATA VOLTS: 460

CERTIFICATION DATA SHEET

CONN. DIAGRAM: 005010.01  
OUTLINE: 028840-500  
WINDING: T632161

CAT #: 113029.00

FR 3

TYPICAL MOTOR PERFORMANCE DATA

HP	KW	SYNC RPM	FL RPM	FRAME	ENCLOSURE	TYPE	KVA CODE	DESIGN										
1	0.75	3600	3460	56J	TEFC	TFR	J	B										
PH	HZ	VOLTS	AMPS	START TYPE	DUTY	INSL	S.F.	AMB	ELEV.									
3	60	230/460	3.1/1.55	ACROSS THE LINE	CONT	B	1.15	40	3300									
F.L. EFF	F.L. PF	77.1	80.0	3/4 LD EFF	3/4 LD PF	75.2	74.3	1/2 LD EFF	1/2 LD PF	69.5	62.6	0.0	ELECT. TYPE	SO CAGE IND RUN				
F.L. TORQUE	LR AMPS @ 460 V	10.0	3.6	LB-FT	232%	5.0	LB-FT	B.D. TORQUE	323%	53	F.L. RISE (°C)							
PRESSURE @ 3	0 DBA	9 DBA	POWER	ROTOR WK²	0.03	LB-FT²	0	MAX. LOAD WK²	0	LB-FT²	SAFE STALL TIME	0	SEC.	STARTS/HOUR	0	MOTOR WGT	0	LB.

\*\*\* SUPPLEMENTAL INFORMATION \*\*\*

DE BRACKET TYPE	ODE BRACKET TYPE	MOUNT TYPE	MOTOR ORIENTATION	SEVERE DUTY	HAZARDOUS LOCATION	DRIIP COVER	SCREENS	PAINT
C-FACE	STANDARD	RIGID	HORIZONTAL	NO	NONE	NO	NONE	JE-LEESON/ENAM
BEARINGS	GREASE	SHAFT TYPE	SPECIAL DE	SPECIAL ODE	SHAFT MATERIAL	FRAME MATERIAL		
DE ODE	BALL BALL	POLYREX EM	JET PUMP	NONE	303 STAINLESS (C-501)	ROLLED STEEL		
6203	6203							
THERMOSTATS	PROTECTORS	WDG RTD's	BRG RTD's	THERMISTORS	CONTROL	SPACE HEATERS		
NONE	NOT	NONE	NONE	NONE	FALSE	NA		
R1 (ohms/ph)	R2 (ohms/ph)	X1 (ohms/ph)	X2 (ohms/ph)	Xm (ohms/ph)	VIBRATION (in/sec)	FLOAT ODE		
0	0	0	0	0	0.080			

* NOT TESTED		INVERTER TORQUE: NONE	
		INV. HP SPEED RANGE: NONE	
		ENCODER: NONE	
		NONE	
		BRAKE: NONE	
		NONE	
		FT-LB: NA	
		NONE	
		VOLTAGE: NONE	
		NONE	
		UL: Y-(LEESON UL REC)	
		NONE	
		PPR	

DATE:	1/23/2018	HZ:	
-------	-----------	-----	--



Motor Load Data

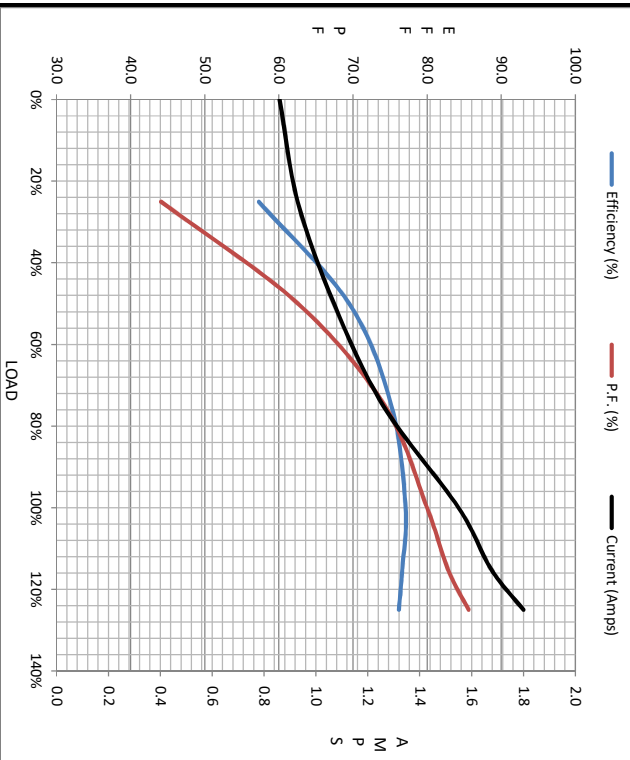
Load	0%	25%	50%	75%	100%	115%	125%	LR
Current (Amps)	0.86	0.93	1.07	1.26	1.55	1.68	1.80	10.0
Torque (ft-lb)	0.00	0.37	0.74	1.13	1.55	1.74	1.93	3.6
RPM	3600	3563	3530	3495	3460	3440	3411	0
Efficiency (%)		57.3	69.5	75.2	77.1	76.7	76.2	
P.F. (%)	23.1	44.1	62.6	74.3	80.0	82.8	85.6	0.0

Motor Speed Data

	LR	Pull-Up	BD	Rated	Idle
Speed (RPM)	0	200	2600	3460	3600
Current (Amps)	10.0	9.2	6.0	1.55	0.86
Torque (ft-lb)	3.6	3.5	5.0	1.55	0.00

Information Block

HP	1.0			
Sync. RPM	3600			
Frame	140			
Enclosure	TEFC			
Construction	TFR			
Voltage	230/460 V			
Frequency	60 Hz			
Design	B			
LR Code letter	J			
Service Factor	1.15			
Temp Rise @ FL	53 °C			
Duty	CONT			
Ambient	40 °C			
Elevation	1,000 feet			
Rotor/Shaft wk <sup>2</sup>	0.03 lb-Ft <sup>2</sup>			
Ref Wdg	T632161 FR			
Sound Pressure @ 1M	0 dbA			
VFD Rating	NONE			
Outline Dwg	028940-500			
Conn. Diag	005010.01			
Additional Specifications:				
0				
EQUIV CKT (OHMS / PHASE)				
R1	R2	X1	X2	Xm
0.0000	0.0000	0.0000	0.0000	0.0000



Speed - Torque Curve

