

PRODUCT INFORMATION PACKET



Model No: C6T34FK34E

Catalog No: 113028.00

3/4HP..3450RPM.56.TEFC.208-230/460V.3PH.60HZ.CONT.NOT.40C.1.15SF.RIGID C.JET
PUMP.C6T34FK34E

Jet Pump



Regal and Leeson are trademarks of Regal Beloit Corporation or one of its affiliated companies.

©2018 Regal Beloit Corporation, All Rights Reserved. MC017097E





Nameplate Specifications

| | | | |
|----------------------------|-----------------------------|------------------------|---------------|
| Output HP | 0.75 Hp | Output KW | 0.56 kW |
| Frequency | 60 Hz | Voltage | 208-230/460 V |
| Current | 2.5-2.4/1.2 A | Speed | 3450 rpm |
| Service Factor | 1.15 | Phase | 3 |
| Efficiency | 75.5 % | Duty | Continuous |
| Insulation Class | B | Design Code | B |
| KVA Code | J | Frame | 56J |
| Enclosure | Totally Enclosed Fan Cooled | Overload Protector | No |
| Ambient Temperature | 40 °C | Drive End Bearing Size | 6203 |
| Opp Drive End Bearing Size | 6203 | UL | Recognized |
| CSA | Y | CE | N |
| IP Code | 43 | | |

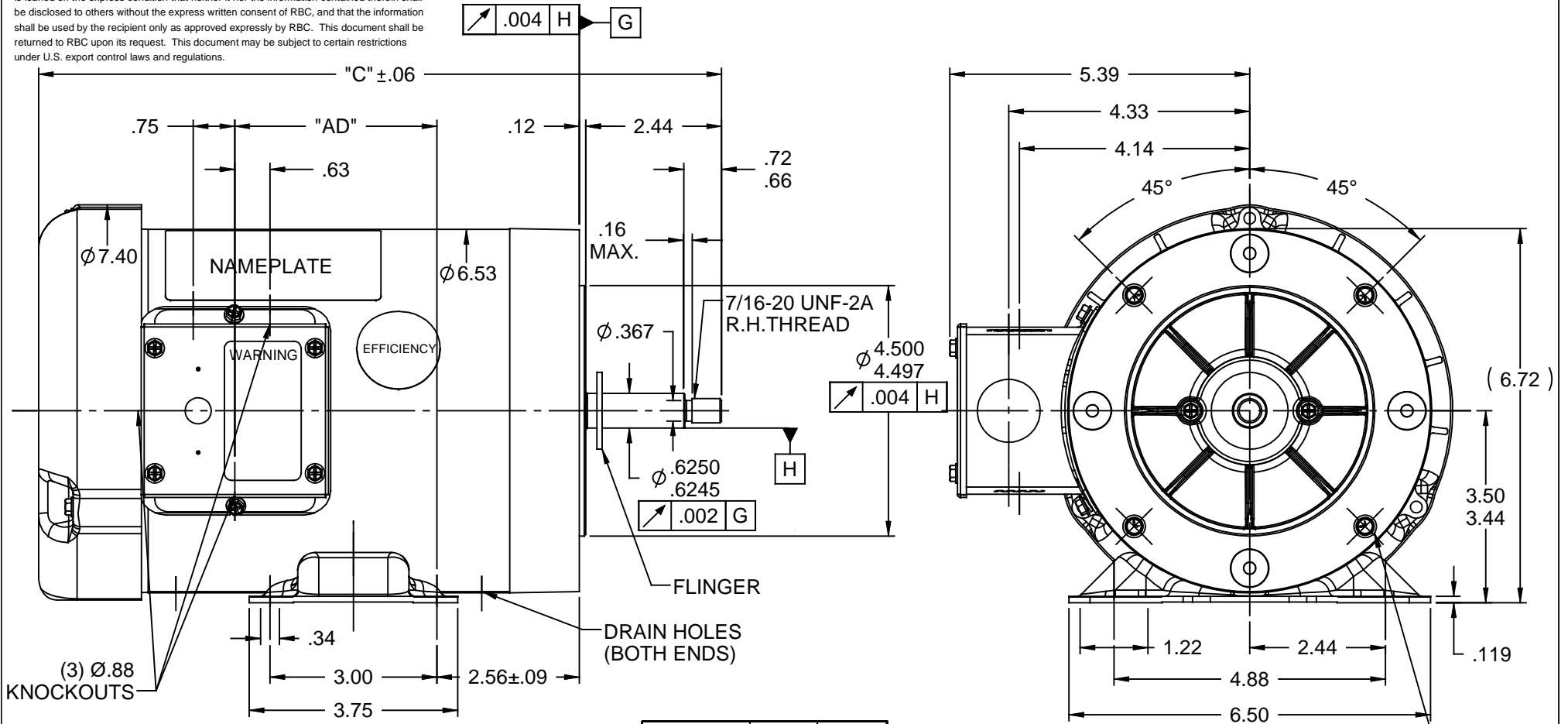
Technical Specifications

| | | | |
|-----------------------|-----------------------------|-----------------------|-----------------|
| Electrical Type | Squirrel Cage Induction Run | Starting Method | Across The Line |
| Poles | 2 | Rotation | Reversible |
| Mounting | Rigid base | Motor Orientation | HORIZONTAL |
| Drive End Bearing | BALL | Opp Drive End Bearing | BALL |
| Frame Material | Rolled Steel | Shaft Type | J |
| Overall Length | 10.78 in | Frame Length | 5.00 in |
| Shaft Diameter | 0.625 in | Shaft Extension | 2.44 in |
| Assembly/Box Mounting | F1 ONLY | | |
| Outline Drawing | 028840-500 | Connection Diagram | 005010.01 |

This is an uncontrolled document once printed or downloaded and is subject to change without notice. Date Created: 10/15/2018

RBC PROPRIETARY AND CONFIDENTIAL INFORMATION

This document is the property of REGAL BELOIT CORPORATION ("RBC") including its subsidiaries and divisions and contains proprietary information of RBC. This document is loaned on the express condition that neither it nor the information contained therein shall be disclosed to others without the express written consent of RBC, and that the information shall be used by the recipient only as approved expressly by RBC. This document shall be returned to RBC upon its request. This document may be subject to certain restrictions under U.S. export control laws and regulations.



- NOTES:**
 1) GASKETS THROUGHOUT
 2) FLINGER ON SHAFT
 3) STAINLESS STEEL SHAFT EXTENSION

| DASH NO. | "C" | "AD" |
|----------|-------|------|
| 700 | 12.78 | 4.13 |
| 650 | 12.28 | 3.63 |
| 600 | 11.78 | 3.13 |
| 550 | 11.28 | 2.63 |
| 500 | 10.78 | 2.13 |

(4) 3/8-16 UNC-2B X .56 DEEP ON A Ø5.875 B.C.

| | | | | | |
|----|--------------------------|-----------------------------|-------------------|---|--|
| | | TOLERANCES UNLESS SPECIFIED | | ELECTRIC MOTORS GEARMOTORS AND DRIVES | DRAWN GRB 07/01/2008 CHK DJ 07/01/2008 APPR SCALE 3:8 REF 028545 FMF 113028.00 PAGE OF |
| | | DEC | INCHES | | TITLE OUTLINE - 56 FRAME T.E.F.C. - RIGID "C" |
| | | .X | ±.1 | | MAT'L JET PUMP |
| | | .XX | ±.03 | | FINISH |
| | | .XXX | ±.005 | | PREV |
| 01 | DRAIN HOLES WERE PLUGGED | DJ | 8/8/2008 | .XXXX ±.0005 | SIZE A |
| NO | REVISION | BY & DATE | CHK ANG | ±1/2° | DRAWING NO |
| | | | RFP | | 028840 |
| | | | NETWORK FILE NAME | | REV |
| | | | | | 01 |



005010-01

VIEW FROM OUTSIDE OF MOTOR AT SWITCH END.



| VOLTAGE | L1 | L2 | L3 | JOIN & INSULATE |
|---------|-------|-------|-------|-------------------------------|
| HIGH | T1 | T2 | T3 | (T4,T7) (T5,T8) (T6,T9) |
| LOW | T1,T7 | T2,T8 | T3,T9 | T4,T5,T6 |

| | | | | | | | | | | | |
|--|-----------------------|--------------|-----|--------------------------------|----------|-----------------------------------|--|--------------------|-----------|-------------|------|
| | | | | TOLERANCES UNLESS SPECIFIED | | Regal Beloit America, Inc. | | DRAWN RDW 04/12/02 | | | |
| | | | | DEC. | INCHES | | | CHK | | | |
| | | | | .X | ±.1 | | | APPD | | | |
| | | | | .XX | ±.01 | | | SCALE 1=1 | | | |
| | | | | .XXX | ±.005 | TITLE | | REF FIG.2-51 | | | |
| A | UPDATED TO REGAL LOGO | SAJ 06/26/15 | AJY | .XXXX | ±.0005 | MAT'L. | | FMF | | | |
| NO. | REVISION | BY & DATE | CHK | ANG | ±1/2" | FINISH | | PREV | | | |
| THIS DRAWING IN DESIGN AND DETAIL IS OUR PROPERTY AND MUST NOT BE USED EXCEPT IN CONNECTION WITH OUR WORK ALL RIGHTS OF DESIGN AND INVENTION ARE RESERVED THIS IS AN ELECTRONICALLY GENERATED DOCUMENT - DO NOT SCALE THIS PRINT | | | | RFP | 04/12/02 | CAD FILE | | 00501001 | SIZE | DRAWING NO. | REV. |
| | | | | DIST | BRF-NLV | | | A | 005010-01 | A | |

