

PRODUCT INFORMATION PACKET



Model No: C6T34VC3J
Catalog No: 113024.00
..1 1/2HP..3450RPM.56.TENV.230/460V.3PH.60HZ.CONT.40C.1.15SF.C
FACE.C6T34VC3J.....WASHGUARD.NOT.....
General Purpose



Regal and Leeson are trademarks of Regal Beloit Corporation or one of its affiliated companies.
©2018 Regal Beloit Corporation, All Rights Reserved. MC017097E





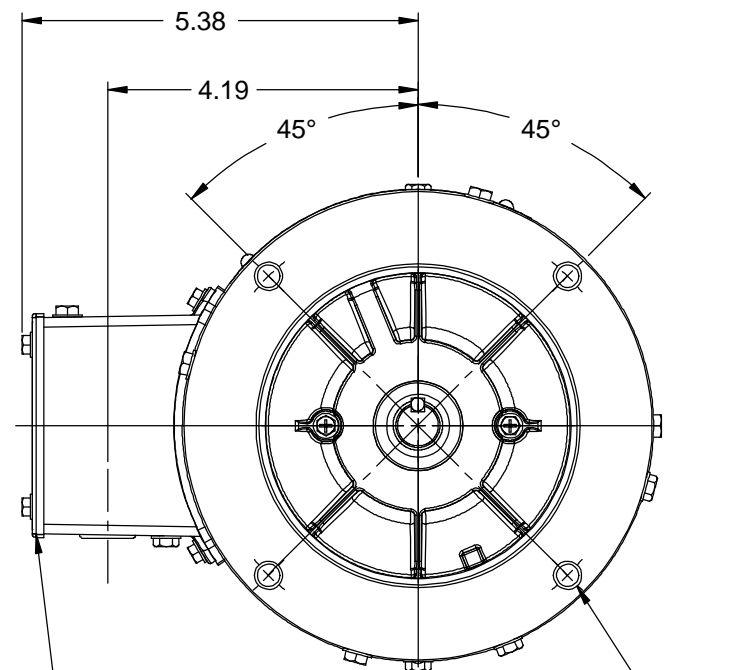
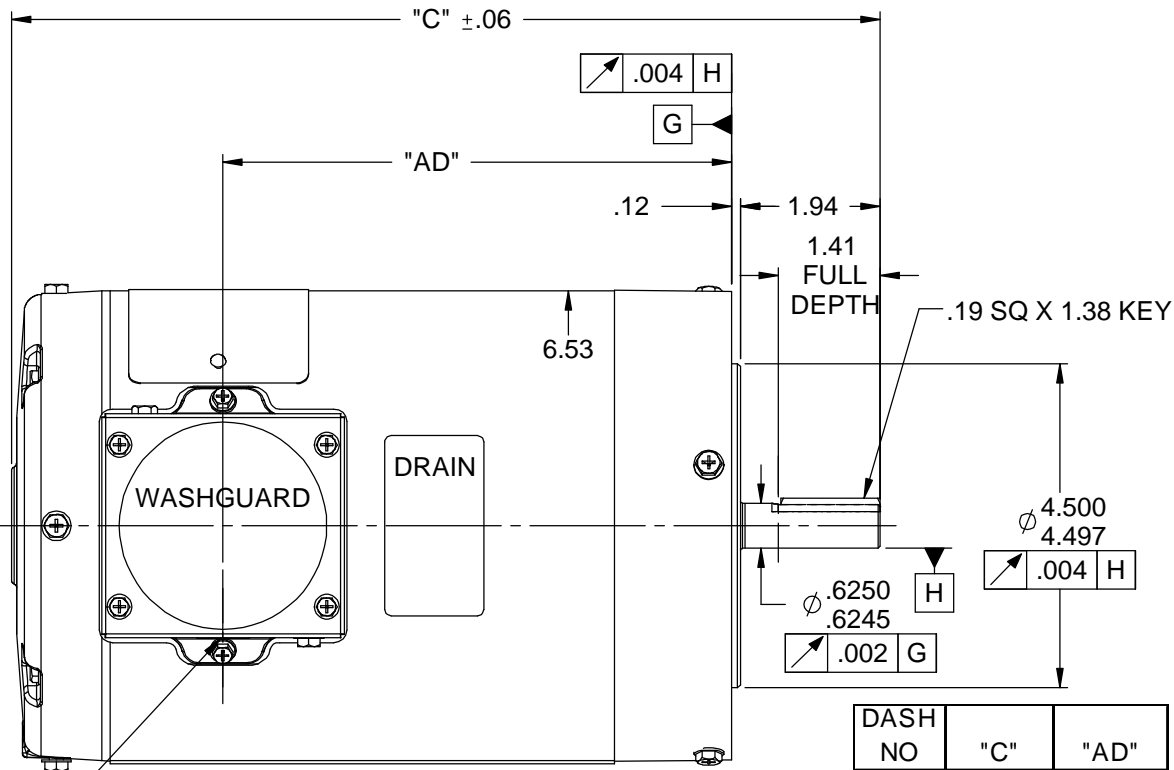
Nameplate Specifications

Output HP	1.50 Hp	Output KW	1.1 kW
Frequency	60 Hz	Voltage	230/460 V
Current	3.8/1.9 A	Speed	3450 rpm
Service Factor	1.15	Phase	3
Efficiency	84 %	Duty	Continuous
Insulation Class	F	Design Code	B
KVA Code	L	Frame	56C
Enclosure	Totally Enclosed Non Ventilated	Overload Protector	No
Ambient Temperature	40 °C	Drive End Bearing Size	6205
Opp Drive End Bearing Size	6203	UL	Recognized
CSA	Y	CE	Y
IP Code	55		

Technical Specifications

Electrical Type	Squirrel Cage Induction Run	Starting Method	Across The Line
Poles	2	Rotation	Reversible
Mounting	Round	Motor Orientation	HORIZONTAL
Drive End Bearing	BALL	Opp Drive End Bearing	BALL
Frame Material	Rolled Steel	Shaft Type	NEMA 56
Overall Length	12.56 in	Frame Length	7.50 in
Shaft Diameter	0.625 in	Shaft Extension	1.88 in
Assembly/Box Mounting	F1 ONLY		
Outline Drawing	028834-750	Connection Diagram	005010.01

This is an uncontrolled document once printed or downloaded and is subject to change without notice. Date Created: 10/15/2018



DASH NO	"C"	"AD"
450	9.56	4.56
500	10.06	5.06
550	10.56	5.56
600	11.06	6.06
650	11.56	6.56
700	12.06	7.06
750	12.56	7.56
800	13.06	8.06

(1) 1/2-14 NPT (PLUGGED)

DECAL CONNECTION UNDER COVER (WHEN REQ'D)

(4) 3/8-16 UNC-2B X .56 DEEP ON A DIA. 5.875 B.C.

- NOTE:
- 1) SHAFT SEAL & V-RING
 - 2) DRAIN HOLES IN BOTH ENDBELLS & CONDUIT BOX
 - 3) GASKETS THROUGHOUT
 - 4) STAINLESS STEEL SHAFT, HARDWARE & NAMEPLATE

				TOLERANCES UNLESS SPECIFIED			ELECTRIC MOTORS GEARMOTORS AND DRIVES		DRAWN GS 7/20/12	
				DEC	INCHES				CHK	
				.X	±.1				APPR	
				.XX	±.03		TITLE OUTLINE - 56C FRAME TENV - "C" FACE		SCALE 3:8	
				.XXX	±.005		MAT'L WASHGUARD		REF	
				.XXXX	±.0005			FMF 113019		
NO	REVISION	BY & DATE	CHK	ANG	±1/2°	FINISH			PAGE	OF
			RFP			PREV	SIZE	DRAWING NO	REV	
			NETWORK FILE NAME		028834	A		028834		



005010-01

VIEW FROM OUTSIDE OF MOTOR AT SWITCH END.



VOLTAGE	L1	L2	L3	JOIN & INSULATE
HIGH	T1	T2	T3	(T4,T7) (T5,T8) (T6,T9)
LOW	T1,T7	T2,T8	T3,T9	T4,T5,T6

				TOLERANCES UNLESS SPECIFIED		REGAL ™ Regal Beloit America, Inc.		DRAWN RDW 04/12/02			
				DEC.	INCHES			CHK			
				.X	±.1			APPD			
				.XX	±.01			SCALE 1=1			
				.XXX	±.005	TITLE		REF FIG.2-51			
A	UPDATED TO REGAL LOGO	SAJ 06/26/15	AJY	.XXXX	±.0005	MAT'L.		FMF			
NO.	REVISION	BY & DATE	CHK	ANG	±1/2"	FINISH		PREV			
THIS DRAWING IN DESIGN AND DETAIL IS OUR PROPERTY AND MUST NOT BE USED EXCEPT IN CONNECTION WITH OUR WORK ALL RIGHTS OF DESIGN AND INVENTION ARE RESERVED THIS IS AN ELECTRONICALLY GENERATED DOCUMENT - DO NOT SCALE THIS PRINT				RFP	04/12/02	CAD FILE		00501001	SIZE	DRAWING NO.	REV.
				DIST	BRF-NLV			A	005010-01	A	

