

PRODUCT INFORMATION PACKET



Model No: C6T34VC1J
Catalog No: 113022.00
..3/4HP..3450RPM.56.TENV.208-230/460V.3PH.60HZ.CONT.40C.1.15SF.C
FACE.C6T34VC1J.....WASHGUARD.NOT.....
General Purpose



Regal and Leeson are trademarks of Regal Beloit Corporation or one of its affiliated companies.
©2018 Regal Beloit Corporation, All Rights Reserved. MC017097E





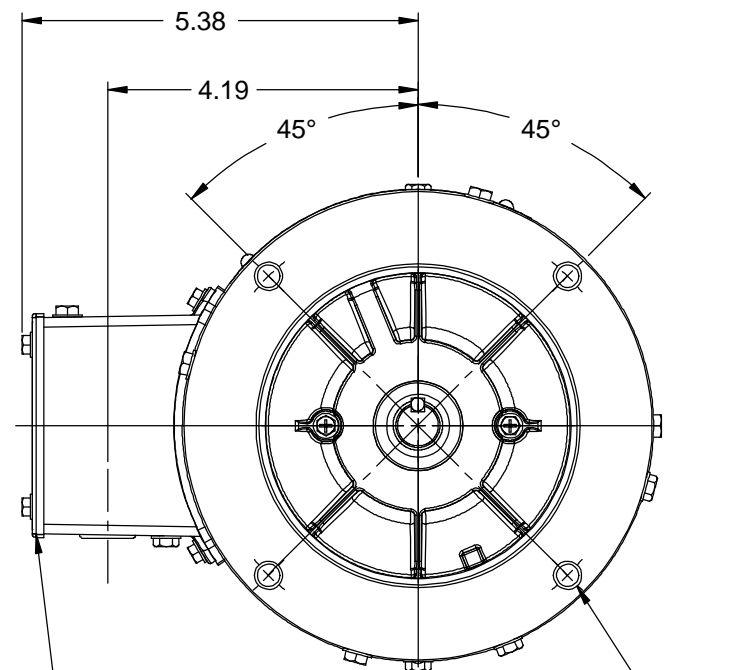
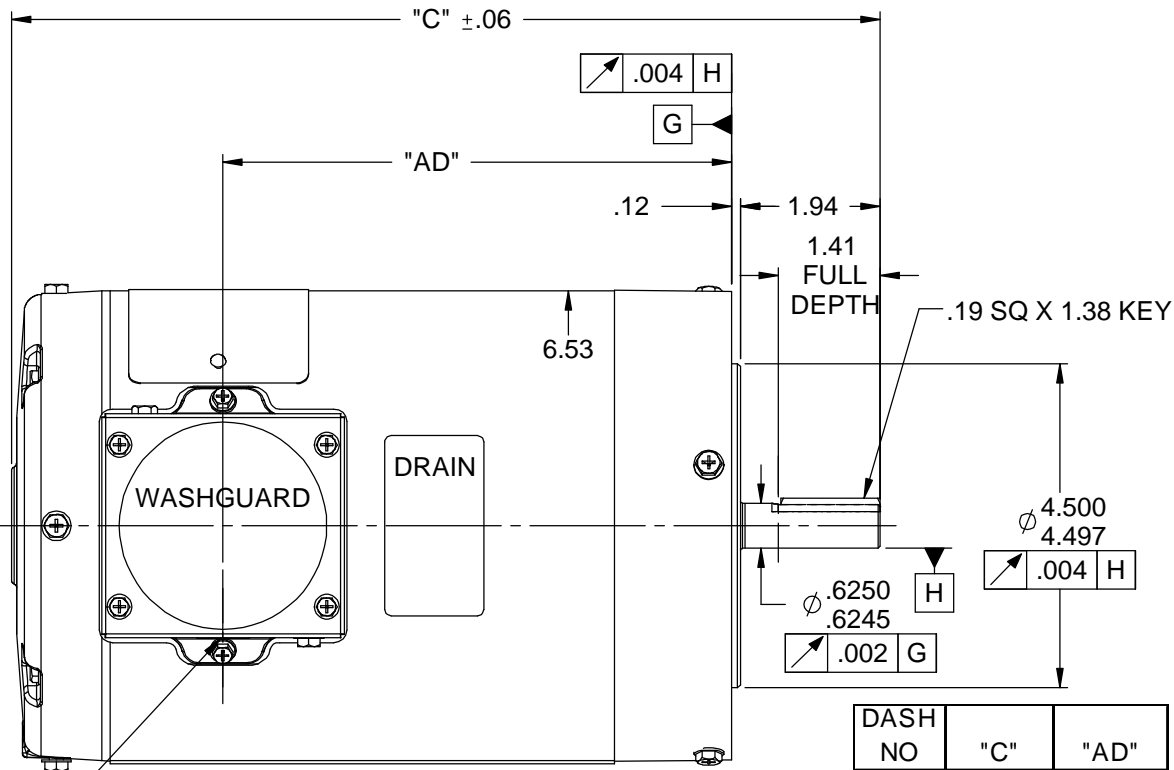
Nameplate Specifications

Output HP	0.75 Hp	Output KW	0.56 kW
Frequency	60 Hz	Voltage	208-230/460 V
Current	2.6-2.4/1.2 A	Speed	3450 rpm
Service Factor	1.15	Phase	3
Efficiency	84 %	Duty	Continuous
Insulation Class	F	Design Code	B
KVA Code	L	Frame	56C
Enclosure	Totally Enclosed Non Ventilated	Overload Protector	No
Ambient Temperature	40 °C	Drive End Bearing Size	6205
Opp Drive End Bearing Size	6203	UL	Recognized
CSA	Y	CE	Y
IP Code	55		

Technical Specifications

Electrical Type	Squirrel Cage Induction Run	Starting Method	Across The Line
Poles	2	Rotation	Reversible
Mounting	Round	Motor Orientation	HORIZONTAL
Drive End Bearing	BALL	Opp Drive End Bearing	BALL
Frame Material	Rolled Steel	Shaft Type	NEMA 56
Overall Length	11.06 in	Frame Length	6.00 in
Shaft Diameter	0.625 in	Shaft Extension	1.88 in
Assembly/Box Mounting	F1 ONLY		
Outline Drawing	028834-600	Connection Diagram	005010.01

This is an uncontrolled document once printed or downloaded and is subject to change without notice. Date Created: 10/15/2018



(1) 1/2-14 NPT (PLUGGED)

- NOTE:
- 1) SHAFT SEAL & V-RING
 - 2) DRAIN HOLES IN BOTH ENDBELLS & CONDUIT BOX
 - 3) GASKETS THROUGHOUT
 - 4) STAINLESS STEEL SHAFT, HARDWARE & NAMEPLATE

DASH NO	"C"	"AD"
450	9.56	4.56
500	10.06	5.06
550	10.56	5.56
600	11.06	6.06
650	11.56	6.56
700	12.06	7.06
750	12.56	7.56
800	13.06	8.06

				TOLERANCES UNLESS SPECIFIED		ELECTRIC MOTORS GEARMOTORS AND DRIVES		DRAWN GS 7/20/12	
				DEC	INCHES			CHK	
				.X	±.1	TITLE OUTLINE - 56C FRAME TENV - "C" FACE MAT'L WASHGUARD		APPR	
				.XX	±.03			SCALE 3:8	
				.XXX	±.005			REF	
				.XXXX	±.0005			FMF 113019	
NO	REVISION	BY & DATE	CHK	ANG	±1/2°	FINISH	PAGE OF		
THIRD ANGLE PROJECTION			RFP	PREV		SIZE	DRAWING NO	REV	
				NETWORK FILE NAME 028834		A	028834		

005010-01

VIEW FROM OUTSIDE OF MOTOR AT SWITCH END.



VOLTAGE	L1	L2	L3	JOIN & INSULATE
HIGH	T1	T2	T3	(T4,T7) (T5,T8) (T6,T9)
LOW	T1,T7	T2,T8	T3,T9	T4,T5,T6

				TOLERANCES UNLESS SPECIFIED		Regal Beloit America, Inc.		DRAWN RDW 04/12/02				
				DEC.	INCHES			CHK				
				.X	±.1			APPD				
				.XX	±.01			SCALE 1=1				
				.XXX	±.005	TITLE		REF FIG.2-51				
A	UPDATED TO REGAL LOGO			SAJ	06/26/15	AJY	.XXXX	±.0005	MAT'L. DECAL - 004014	FMF		
NO.	REVISION			BY & DATE	CHK	ANG	±1/2"		FINISH	PREV		
THIS DRAWING IN DESIGN AND DETAIL IS OUR PROPERTY AND MUST NOT BE USED EXCEPT IN CONNECTION WITH OUR WORK ALL RIGHTS OF DESIGN AND INVENTION ARE RESERVED THIS IS AN ELECTRONICALLY GENERATED DOCUMENT - DO NOT SCALE THIS PRINT				RFP	04/12/02		CAD FILE	00501001		SIZE	DRAWING NO.	REV.
				DIST	BRF-NLV				A	005010-01		A

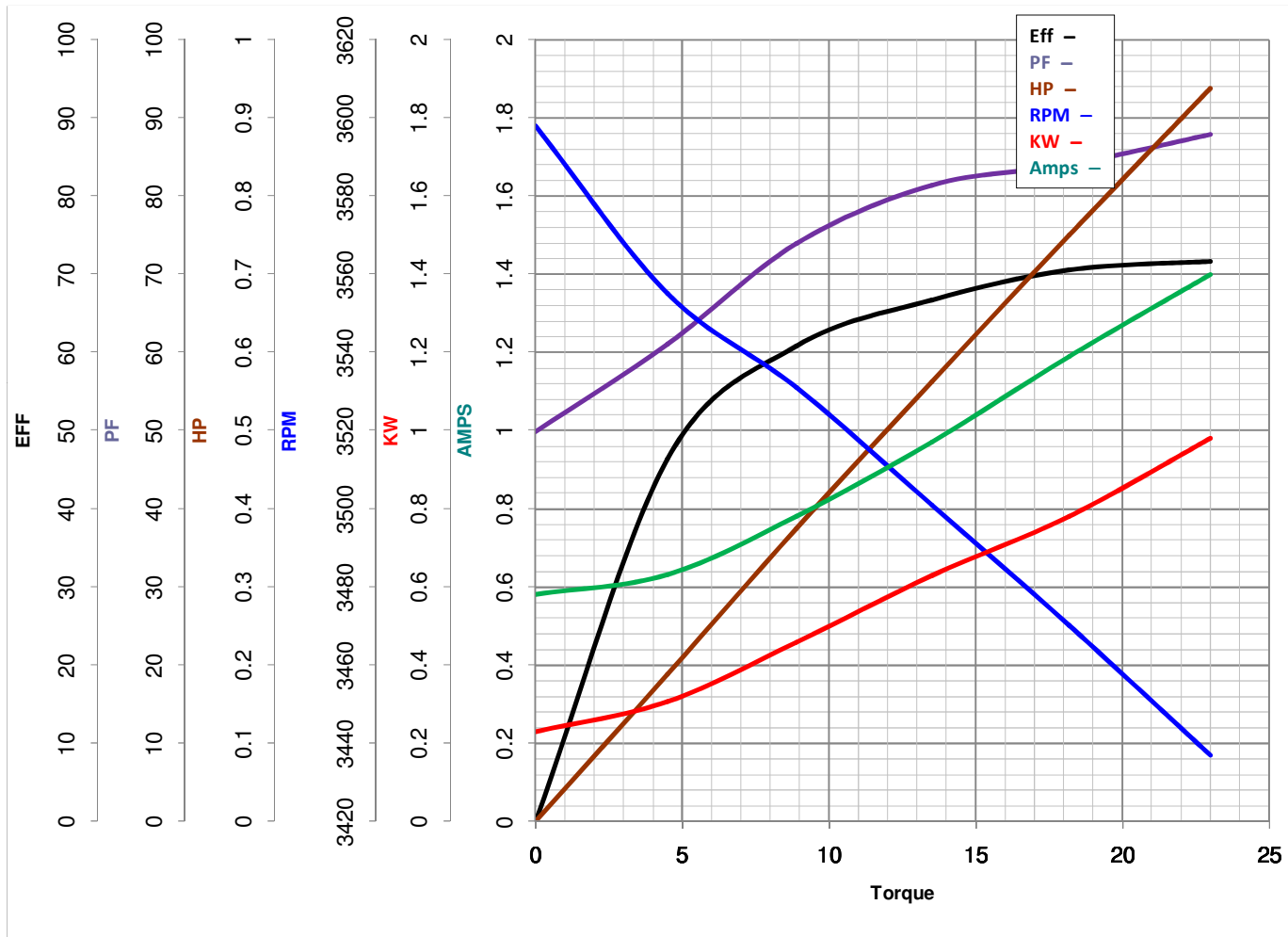


LEESON ELECTRIC CORPORATION
 TYPICAL PERFORMANCE CURVE for AC MOTOR

Model No 113022.00

Catalog No 113022.00

Curve at 460 Volts HP 0.75 PHASE 3
60 HZ
0.75 HP VOLTS 208-230/460
 HZ 60 RPM 3450



FL TORQUE	<u>18.2</u>	Oz.Ft	FL AMPS	<u>2.6-2.4/1.2</u>
BD TORQUE	<u>72.2</u>	Oz.Ft	PU TORQUE	<u>54.8</u>
LR TORQUE	<u>57.04</u>	Oz.Ft	LR AMPS	<u>8.8</u>
WINDING	T632189-3		Date	5/22/2018