

PRODUCT INFORMATION PACKET



Model No: C6T17VC1J

Catalog No: 113019.00

..3/4HP..1725RPM.56.TENV.208-230/460V.3PH.60HZ.CONT.40C.1.15SF.C
FACE.C6T17VC1J.....WASHGUARD.NOT.....

General Purpose



Regal and Leeson are trademarks of Regal Beloit Corporation or one of its affiliated companies.

©2018 Regal Beloit Corporation, All Rights Reserved. MC017097E





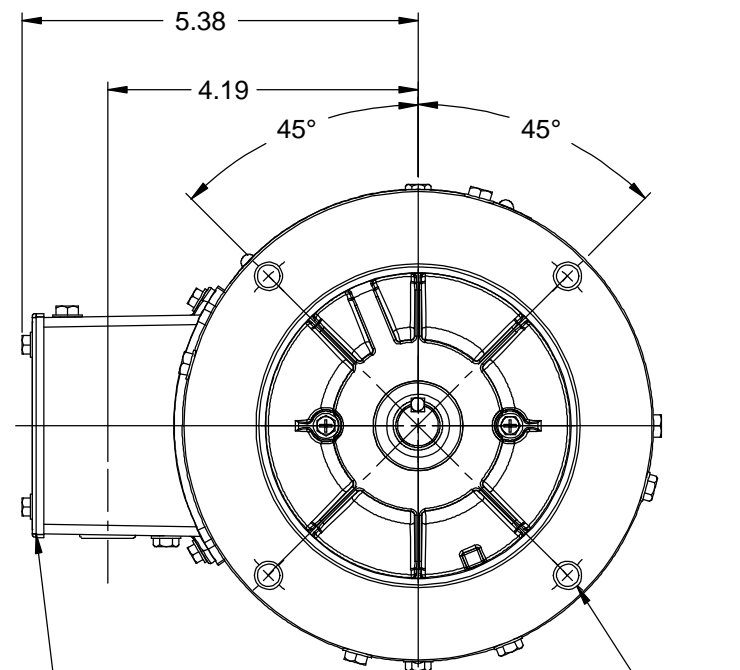
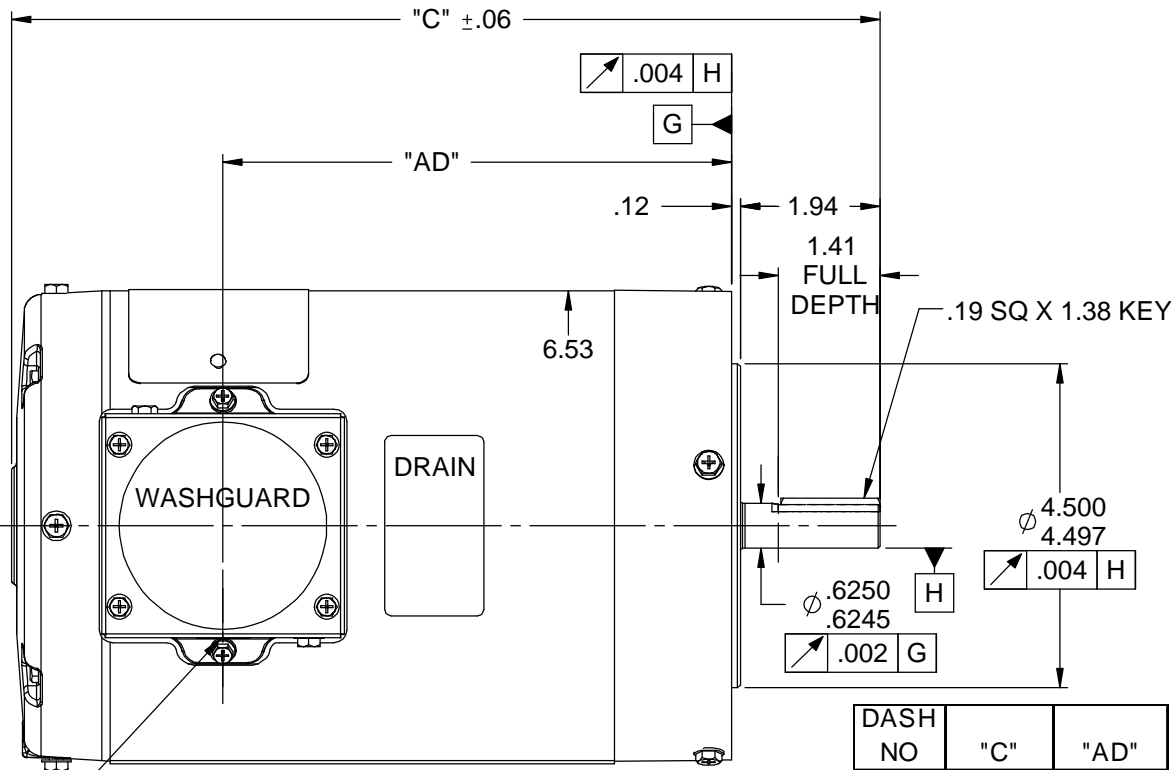
Nameplate Specifications

Output HP	0.75 Hp	Output KW	0.56 kW
Frequency	60 Hz	Voltage	208-230/460 V
Current	2.7-2.5/1.3 A	Speed	1725 rpm
Service Factor	1.15	Phase	3
Efficiency	80 %	Duty	Continuous
Insulation Class	F	Design Code	B
KVA Code	L	Frame	56C
Enclosure	Totally Enclosed Non Ventilated	Overload Protector	No
Ambient Temperature	40 °C	Drive End Bearing Size	6205
Opp Drive End Bearing Size	6203	UL	Recognized
CSA	Y	CE	Y
IP Code	55		

Technical Specifications

Electrical Type	Squirrel Cage Induction Run	Starting Method	Across The Line
Poles	4	Rotation	Reversible
Mounting	Round	Motor Orientation	HORIZONTAL
Drive End Bearing	BALL	Opp Drive End Bearing	BALL
Frame Material	Rolled Steel	Shaft Type	NEMA 56
Overall Length	10.56 in	Frame Length	5.50 in
Shaft Diameter	0.625 in	Shaft Extension	1.88 in
Assembly/Box Mounting	F1 ONLY		
Outline Drawing	028834-550	Connection Diagram	005010.01

This is an uncontrolled document once printed or downloaded and is subject to change without notice. Date Created: 10/15/2018



DASH NO	"C"	"AD"
450	9.56	4.56
500	10.06	5.06
550	10.56	5.56
600	11.06	6.06
650	11.56	6.56
700	12.06	7.06
750	12.56	7.56
800	13.06	8.06

(1) 1/2-14 NPT (PLUGGED)

- NOTE:
- 1) SHAFT SEAL & V-RING
 - 2) DRAIN HOLES IN BOTH ENDBELLS & CONDUIT BOX
 - 3) GASKETS THROUGHOUT
 - 4) STAINLESS STEEL SHAFT, HARDWARE & NAMEPLATE

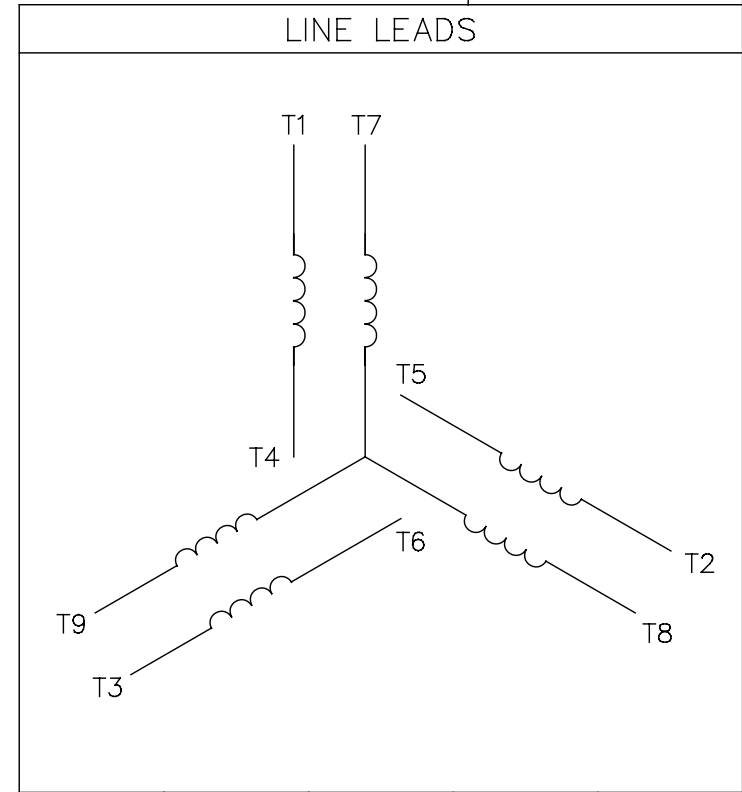
DECAL CONNECTION UNDER COVER (WHEN REQ'D)

(4) 3/8-16 UNC-2B X .56 DEEP ON A DIA. 5.875 B.C.

				TOLERANCES UNLESS SPECIFIED		LEESON ELECTRIC MOTORS GEARMOTORS AND DRIVES		DRAWN GS 7/20/12	
				DEC	INCHES			CHK	
				.X	±.1	TITLE OUTLINE - 56C FRAME TENV - "C" FACE MAT'L WASHGUARD		APPR	
				.XX	±.03			SCALE 3:8	
				.XXX	±.005			REF	
				.XXXX	±.0005			FMF 113019	
NO	REVISION	BY & DATE	CHK	ANG	±1/2°	FINISH	PAGE OF		
THIRD ANGLE PROJECTION			RFP	PREV	SIZE	DRAWING NO	REV		
				NETWORK FILE NAME 028834		A	028834		

005010-01

VIEW FROM OUTSIDE OF MOTOR AT SWITCH END.



VOLTAGE	L1	L2	L3	JOIN & INSULATE
HIGH	T1	T2	T3	(T4,T7) (T5,T8) (T6,T9)
LOW	T1,T7	T2,T8	T3,T9	T4,T5,T6

				TOLERANCES UNLESS SPECIFIED		REGAL ™ Regal Beloit America, Inc.		DRAWN RDW 04/12/02		
				DEC.	INCHES			CHK		
				.X	±.1			APPD		
				.XX	±.01			SCALE 1=1		
				.XXX	±.005	TITLE		REF FIG.2-51		
A	UPDATED TO REGAL LOGO	SAJ 06/26/15	AJY	.XXXX	±.0005	MAT'L.		FMF		
NO.	REVISION	BY & DATE	CHK	ANG	±1/2"	FINISH		PREV		
THIS DRAWING IN DESIGN AND DETAIL IS OUR PROPERTY AND MUST NOT BE USED EXCEPT IN CONNECTION WITH OUR WORK ALL RIGHTS OF DESIGN AND INVENTION ARE RESERVED THIS IS AN ELECTRONICALLY GENERATED DOCUMENT - DO NOT SCALE THIS PRINT				RFP	04/12/02	CAD FILE	00501001	SIZE	DRAWING NO.	REV.
				DIST	BRF-NLV			A	005010-01	A



CERTIFICATION DATA SHEET

1051 CHEYENNE AVE.
 GRAFTON, WI 53024
 PH. 262-377-8810

CATALOG #: 113019.00

CONN. DIAGRAM: 005010.01

OUTLINE: 028834-550

MOUNTING: F1 ONLY

WINDING #: T634245 NR 3 A

TYPICAL MOTOR PERFORMANCE DATA

HP	KW	SYNC. RPM	F.L. RPM	FRAME	ENCLOSURE	KVA CODE	DESIGN
3/4	0.56	1800	1725	56C	TENV	L	B

PH	HZ	VOLTS	AMPS	START TYPE	DUTY	INSL	S.F.	AMB °C
3	60	208-230/460	2.7-2.5/1.25	ACROSS THE LINE	CONTINUOUS	F4	1.15	40

FULL LOAD EFF:	80	3/4 LOAD EFF:	74.8	1/2 LOAD EFF:	70	GTD. EFF		ELEC. TYPE
FULL LOAD PF:	70	3/4 LOAD PF:	65.5	1/2 LOAD PF:	54.4	0		SQ CAGE IND RUN

F.L. TORQUE	LOCKED ROTOR AMPS	L.R. TORQUE	B.D. TORQUE	F.L. RISE °C
27 LB-IN	16.8 / 8.4	80 LB-IN 296 %	106 LB-IN 393 %	0

SOUND PRESSURE @ 3 FT.	SOUND POWER	ROTOR WK^2	MAX. WK^2	SAFE STALL TIME	STARTS / HOUR	APPROX. MOTOR WGT
0 DBA	10 DBA	0.09 LB-FT^2	0 LB-FT^2	0 SEC.	0	0 LBS.

*** SUPPLEMENTAL INFORMATION ***

DE BRACKET TYPE	ODE BRACKET TYPE	MOUNT TYPE	ORIENTATION	SEVERE DUTY	HAZARDOUS LOCATION	DRIP COVER	SCREENS	PAINT
C-FACE	STANDARD	ROUND	HORIZONTAL	FALSE	NONE	FALSE	NONE	WHITE - LEESON (EPOXY)

BEARINGS DE ODE	GREASE	SHAFT TYPE	SPECIAL DE	SPECIAL ODE	SHAFT MATERIAL	FRAME MATERIAL
BALL BALL 6205 6203	POLYREX EM	STANDARD 56	NONE	NONE	303 STAINLESS (C-501)	ROLLED STEEL

THERMO-PROTECTORS				THERMISTORS			CONTROL		SPACE HEATERS	
THERMOSTATS	PROTECTORS	WDG RTDS	BRG RTDS	NONE		FALSE	NONE	NONE	NONE	VOLTS
NONE	NOT	NONE	NONE							

INVERTER TORQUE: NONE
 INV. HP SPEED RANGE: NONE

ENCODER: NONE
 NONE NONE
 NONE NONE PPR

BRAKE: NONE NONE
 NONE P/N NONE
 NONE NONE
 NONE FT-LB NONE V NONE HZ

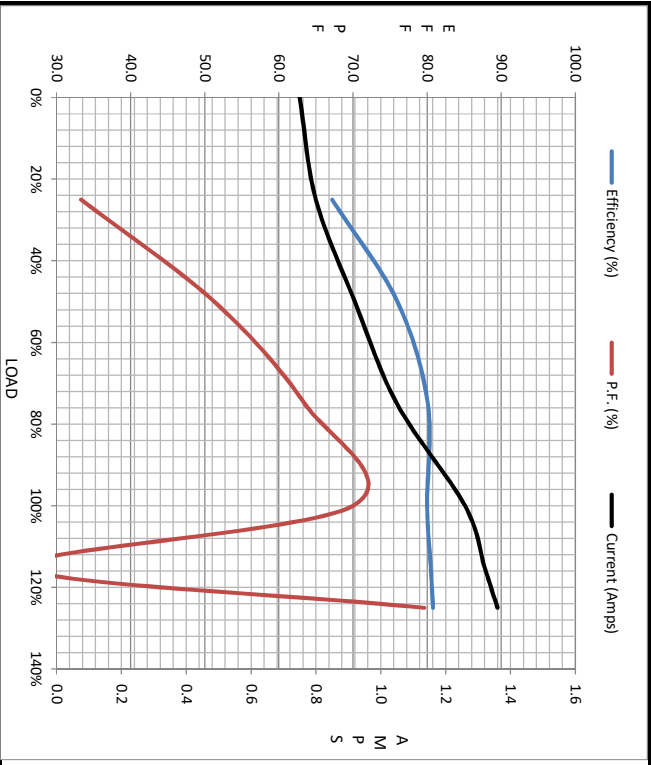
*
 N
 O
 T
 E
 S



Data @ 460 V

Motor Load Data								
Load	0%	25%	50%	75%	100%	115%	125%	LR
Current (Amps)	0.75	0.80	0.92	1.05	1.26	1.32	1.36	8.8
Torque (ft-lb)	0.00	0.56	1.13	1.69	2.25	3.2	2.81	6.7
RPM	1800	1791	1780	1771	1759	1740	1747	0
Efficiency (%)		67.2	76.0	80.1	80.0	80.5	80.8	
P.F. (%)	12.6	33.3	51.3	63.5	70.0	25.6	79.6	0.0

Motor Speed Data						Information Block																					
	LR	Pull-Up	BD	Rated	Idle	HP	Sync. RPM	Frame	Enclosure	Construction	Voltage	Frequency	Design	LR Code letter	Service Factor	Temp Rise @ FL	Duty	Ambient	Elevation	Rotor/Shaft wk²	Ref Wdg	Sound Pressure @ 1M	VFD Rating	Outline Dwg	Conn. Diag	Additional Specifications:	
Speed (RPM)	0	850	1300	1759	1800	0.8	1800	140	TENV	TTR	208-230/460	60	B	L	1.15	80	CONT	40	1,000	0.09	T634245 NR	0	NONE	028934-550	005010.01		
Current (Amps)	8.8	8.0	4.8	1.26	0.75																						
Torque (ft-lb)	6.7	6.6	8.8	2.25	0.00																						



Parameter	Value			
HP	0.8			
Sync. RPM	1800			
Frame	140			
Enclosure	TENV			
Construction	TTR			
Voltage	208-230/460 V			
Frequency	60 Hz			
Design	B			
LR Code letter	L			
Service Factor	1.15			
Temp Rise @ FL	80 °C			
Duty	CONT			
Ambient	40 °C			
Elevation	1,000 feet			
Rotor/Shaft wk²	0.09 Lb-Ft²			
Ref Wdg	T634245 NR			
Sound Pressure @ 1M	0 dBA			
VFD Rating	NONE			
Outline Dwg	028934-550			
Conn. Diag	005010.01			
Additional Specifications:				
0				
R1	R2	X1	X2	Xm
0.0000	0.0000	0.0000	0.0000	0.0000

