

PRODUCT INFORMATION PACKET



Model No: C6C17WK5P

Catalog No: 112529.00

1HP.- C-FACE WITH BASE --1725RPM.56.TEFC./V.1PH.60HZ.CONT.NOT.40C.1.15SF.RIGID
C.WASHGUARD.C6C17WK5P

General Purpose



Regal and Leeson are trademarks of Regal Beloit Corporation or one of its affiliated companies.

©2018 Regal Beloit Corporation, All Rights Reserved. MC017097E





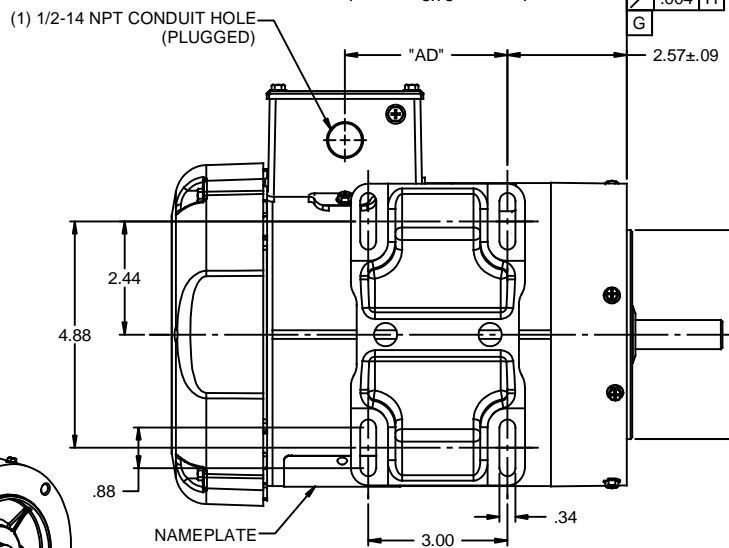
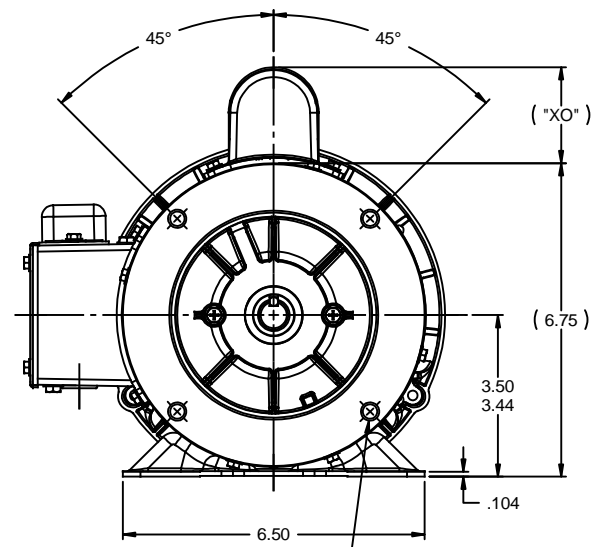
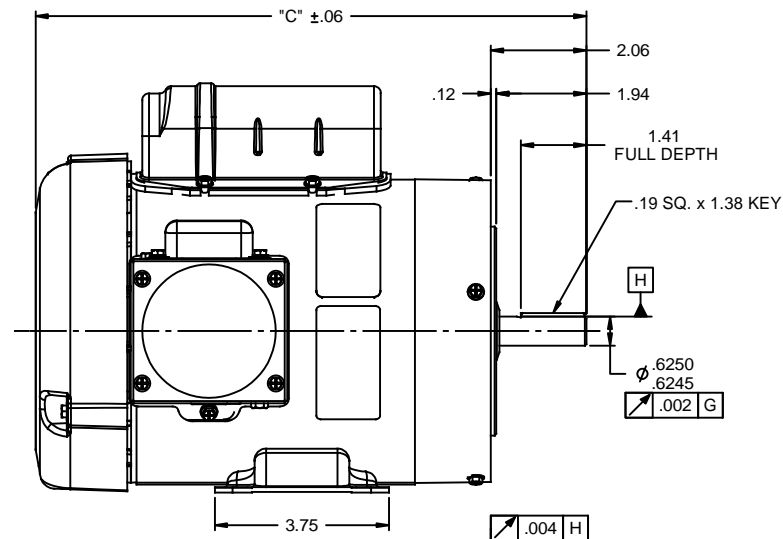
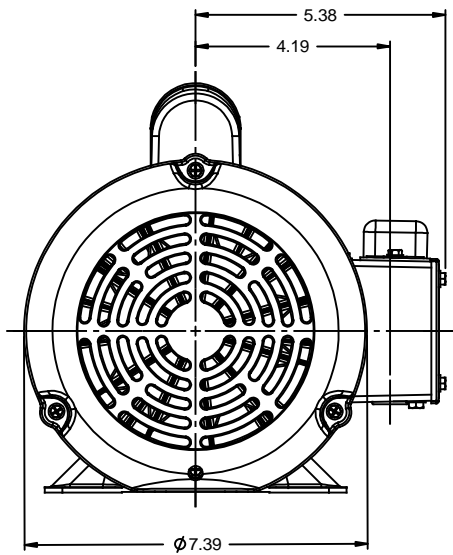
Nameplate Specifications

Output HP	1 Hp	Output KW	0.75 kW
Frequency	60 Hz	Voltage	115/208-230 V
Current	12.8/6.4 A	Speed	1725 rpm
Service Factor	1.15	Phase	1
Efficiency	75 %	Duty	Continuous
Insulation Class	F	Design Code	N
KVA Code	K	Frame	56C
Enclosure	Totally Enclosed Fan Cooled	Overload Protector	No
Ambient Temperature	40 °C	Drive End Bearing Size	6205
Opp Drive End Bearing Size	6203	UL	Recognized
CSA	Y	CE	N
IP Code	55		

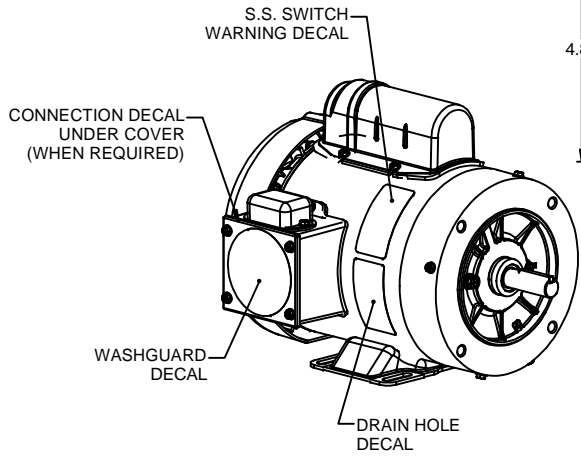
Technical Specifications

Electrical Type	Capacitor Start Induction Run	Starting Method	Across The Line
Poles	4	Rotation	Selective Counterclockwise
Mounting	Rigid base	Motor Orientation	HORIZONTAL
Drive End Bearing	BALL	Opp Drive End Bearing	BALL
Frame Material	Rolled Steel	Shaft Type	NEMA 56
Overall Length	12.12 in	Frame Length	6.25 in
Shaft Diameter	0.625 in	Shaft Extension	1.88 in
Assembly/Box Mounting	F1 ONLY		
Outline Drawing	607-0008-625A	Connection Diagram	005278.07

This is an uncontrolled document once printed or downloaded and is subject to change without notice. Date Created: 10/15/2018



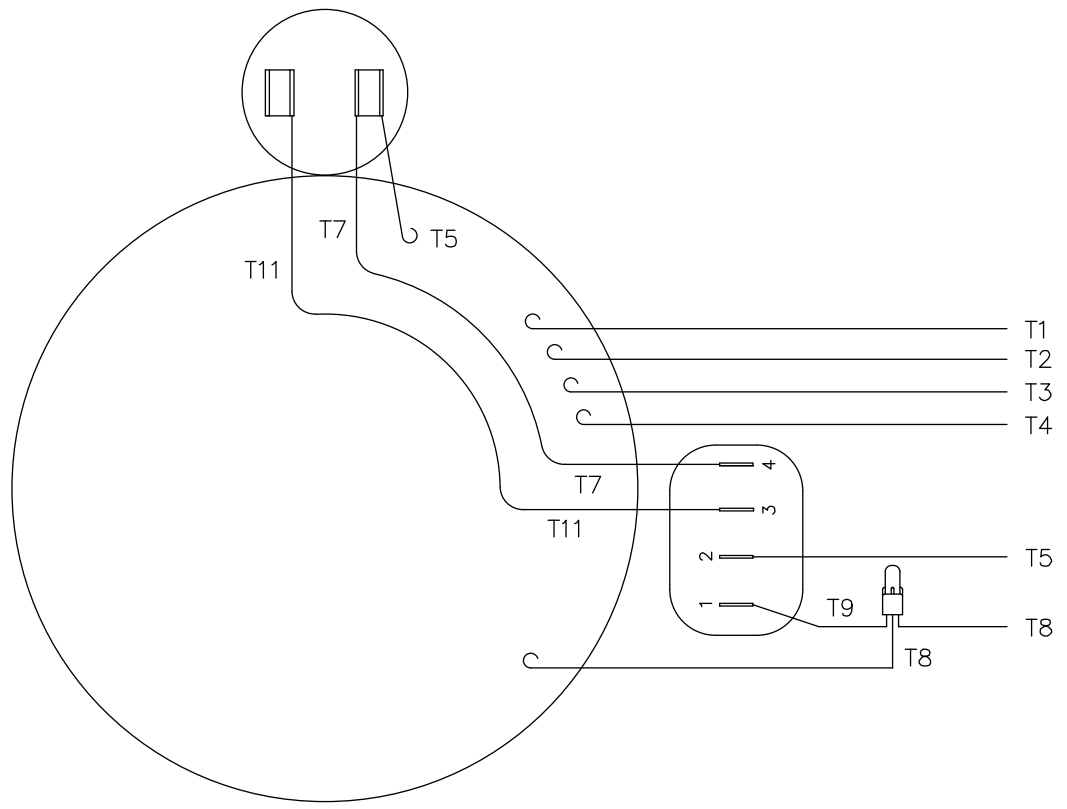
- WASHGUARD MOTOR**
- SPECIAL FEATURES:
1. SHAFT SEALS & V-RING.
 2. PLUGGED DRAIN HOLES IN ENDBELLS & CONDUIT BOX.
 3. BUNA-N GASKETS THROUGHOUT.
 4. STAINLESS STEEL SHAFT, HARDWARE & NAMEPLATE.
 5. SOLID STATE SWITCH MOUNTED TO CONDUIT BOX.



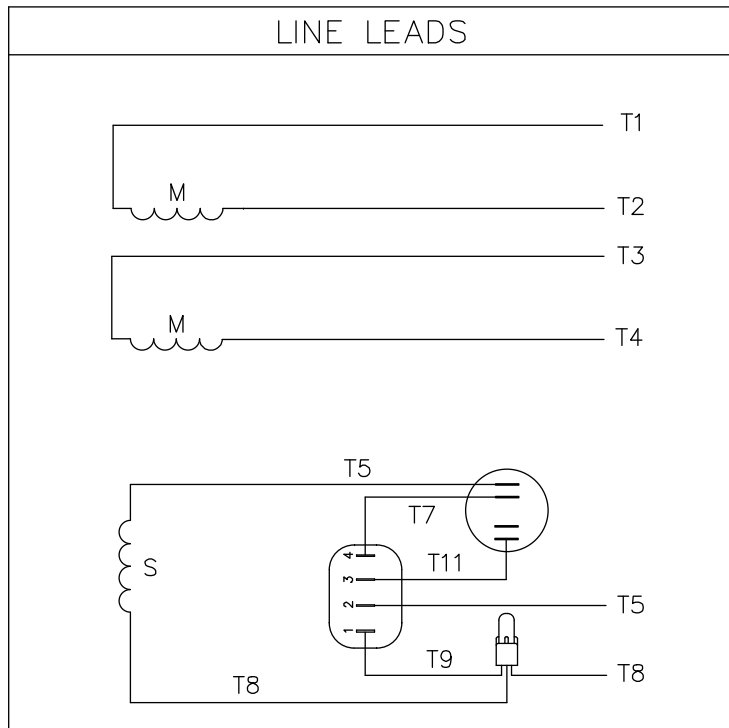
DASH NO.	"C"	"AD"	"XO"	DASH NO.	"C"	"AD"	"XO"
450A	10.37	2.00	2.00	450B	10.37	2.00	2.25
475A	10.62	2.25	2.00	475B	10.62	2.25	2.25
500A	10.87	2.50	2.00	500B	10.87	2.50	2.25
525A	11.12	2.75	2.00	525B	11.12	2.75	2.25
550A	11.37	3.00	2.00	550B	11.37	3.00	2.25
575A	11.62	3.25	2.00	575B	11.62	3.25	2.25
600A	11.87	3.50	2.00	600B	11.87	3.50	2.25
625A	12.12	3.75	2.00	625B	12.12	3.75	2.25
650A	12.37	4.00	2.00	650B	12.37	4.00	2.25

TOLERANCES UNLESS SPECIFIED				LEESON ELECTRIC MOTORS GEARMOTORS AND DRIVES		DRAWN PG 02/08/11	
DEC	INCHES	FINISH	TITLE	SCALE	CHK	REF	APPR
x	±.1	±1/2"	OUTLINE - 56C FRAME	3:8		028881	
.xx	±.03		TEFC - RIGID "C" FACE				
.xxx	±.005		MATL WASHGUARD			113580.00	
.xxxx	±.0005						
NO	REVISION	BY & DATE	CHK	ANG	FINISH	SIZE	DRAWING NO
			RFP		PREV	B	607-0008
			NETWORK FILE NAME	607-0008			REV

005278-07



VIEW FROM OUTSIDE OF MOTOR AT SWITCH END.



	ROTATION FACING LEAD END	L1	L2	JOIN & INSULATE
HIGH VOLT	C.C.W.	T1	T4 T5	T2, T3 T8
	C.W.	T1	T4 T8	T2, T3 T5
LOW VOLT	C.C.W.	T1, T3 T8	T2, T4 T5	
	C.W.	T1, T3 T5	T2, T4 T8	

				TOLERANCES UNLESS OTHERWISE SPECIFIED		LEESON ELECTRIC CORPORATION				
				DECIMALS						
				.00	± .01	DRAWN	TITLE			
				.000	± .005	RSK 07/21/98	EXTERNAL WIRING DIAGRAM			
01	ADDED DECAL FOR STOCK MOTORS ECR 0042509	GWS	9/10/13	.0000	± .0005	CH'K'D.	TYPE "C" W/O PROTECTOR			
NO.	REVISION	BY	DATE	FRACTIONS	± 1/64	APPR.	MAT'L. DECAL - 004012			
				ANGLES	± 1/2*	SCALE	STOCK MOTORS TO USE DECAL 214-0122-001			
THIS DRAWING IN DESIGN AND DETAIL IS OUR PROPERTY AND MUST NOT BE USED EXCEPT IN CONNECTION WITH OUR WORK ALL RIGHTS OF DESIGN AND INVENTION ARE RESERVED				INCH/MM		REF.	FINISH		SIZE	DRAWING NO.
						005278-01	STANDARD		A	005278-07
						1=1				
						FMF 131571				

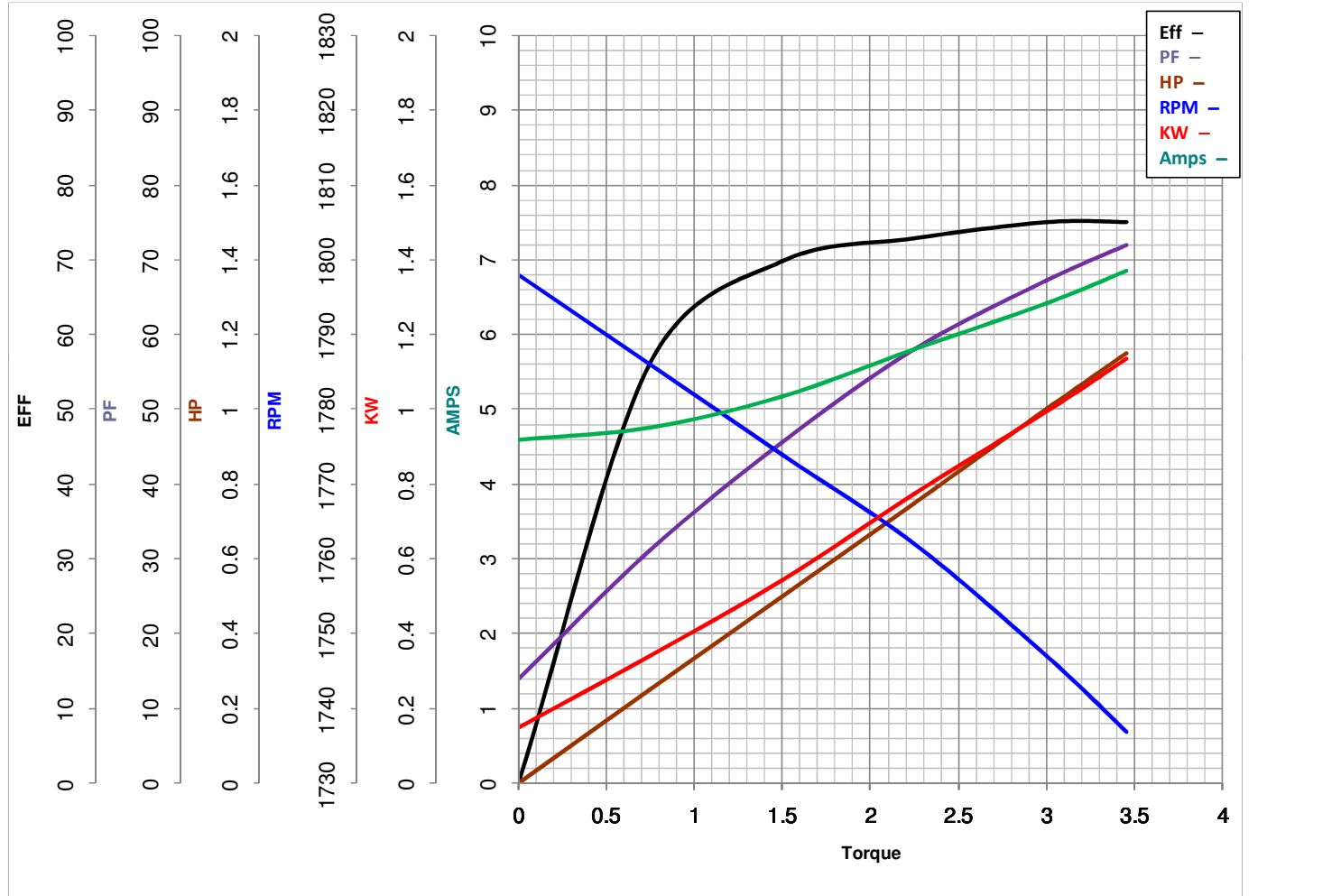


LEESON ELECTRIC CORPORATION
 TYPICAL PERFORMANCE CURVE for AC MOTOR

Curve at 230 Volts HP 1.00 PHASE 1
60 HZ
1 HP VOLTS 115/208-230
 HZ 60 RPM 1725

Model No 112529.00

Catalog No 112529.00



Torque in Lb.Ft

FL TORQUE 3 Lb.Ft
 BD TORQUE 7.0 Lb.Ft
 LR TORQUE 9 Lb.Ft

FL AMPS 12.8/6.4
 PU TORQUE 6.7 Lb.Ft
 LR AMPS 33

WINDING C634256-3

Date 3/14/2018