

# PRODUCT INFORMATION PACKET



Model No: C6C17WK4N

Catalog No: 112528.00

3/4HP.- C-FACE WITH BASE -.1725RPM.56.TEFC./V.1PH.60HZ.CONT.NOT.40C.1.15SF.RIGID  
C.WASHGUARD.C6C17WK4N

General Purpose



Regal and Leeson are trademarks of Regal Beloit Corporation or one of its affiliated companies.

©2018 Regal Beloit Corporation, All Rights Reserved. MC017097E





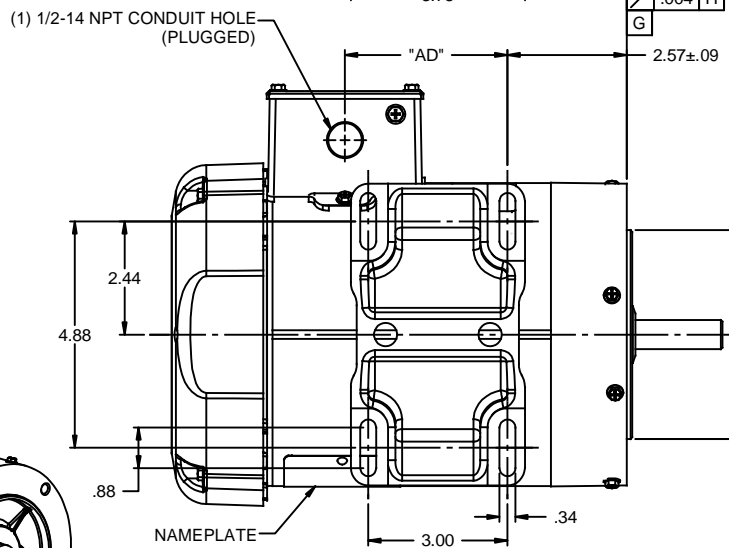
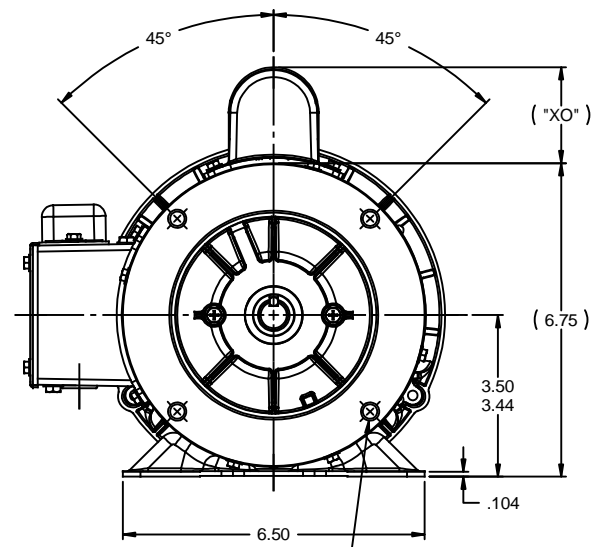
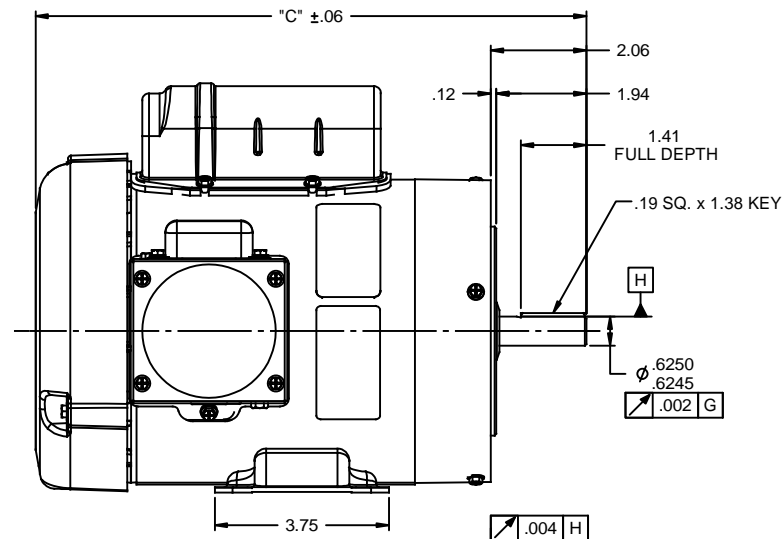
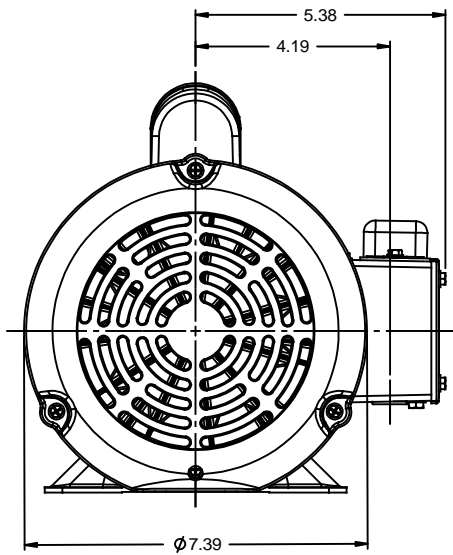
### Nameplate Specifications

Output HP	<b>0.75 Hp</b>	Output KW	<b>0.56 kW</b>
Frequency	<b>60 Hz</b>	Voltage	<b>115/208-230 V</b>
Current	<b>10.8/5.4 A</b>	Speed	<b>1725 rpm</b>
Service Factor	<b>1.15</b>	Phase	<b>1</b>
Efficiency	<b>70 %</b>	Duty	<b>Continuous</b>
Insulation Class	<b>F</b>	Design Code	<b>N</b>
KVA Code	<b>L</b>	Frame	<b>56C</b>
Enclosure	<b>Totally Enclosed Fan Cooled</b>	Overload Protector	<b>No</b>
Ambient Temperature	<b>40 °C</b>	Drive End Bearing Size	<b>6205</b>
Opp Drive End Bearing Size	<b>6203</b>	UL	<b>Recognized</b>
CSA	<b>Y</b>	CE	<b>N</b>
IP Code	<b>55</b>		

### Technical Specifications

Electrical Type	<b>Capacitor Start Induction Run</b>	Starting Method	<b>Across The Line</b>
Poles	<b>4</b>	Rotation	<b>Selective Counterclockwise</b>
Mounting	<b>Rigid base</b>	Motor Orientation	<b>HORIZONTAL</b>
Drive End Bearing	<b>BALL</b>	Opp Drive End Bearing	<b>BALL</b>
Frame Material	<b>Rolled Steel</b>	Shaft Type	<b>NEMA 56</b>
Overall Length	<b>11.62 in</b>	Frame Length	<b>5.75 in</b>
Shaft Diameter	<b>0.625 in</b>	Shaft Extension	<b>1.88 in</b>
Assembly/Box Mounting	<b>F1 ONLY</b>		
Outline Drawing	<b>607-0008-575B</b>	Connection Diagram	<b>005278.07</b>

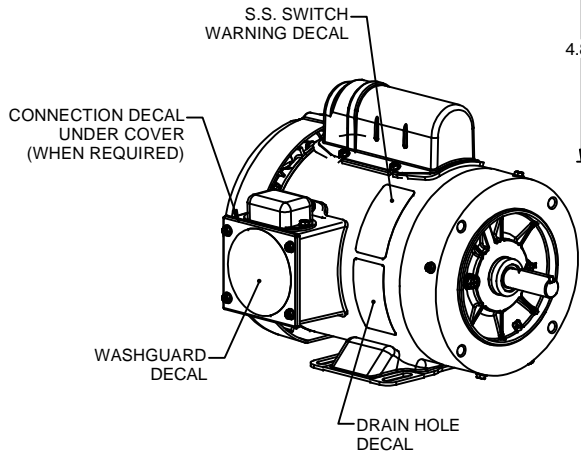
**This is an uncontrolled document once printed or downloaded and is subject to change without notice. Date Created: 10/15/2018**



3/8-16 UNC-2B x .56 DEEP  
(4) REQ'D. ON A Ø5.875 B.C.

**WASHGUARD MOTOR**

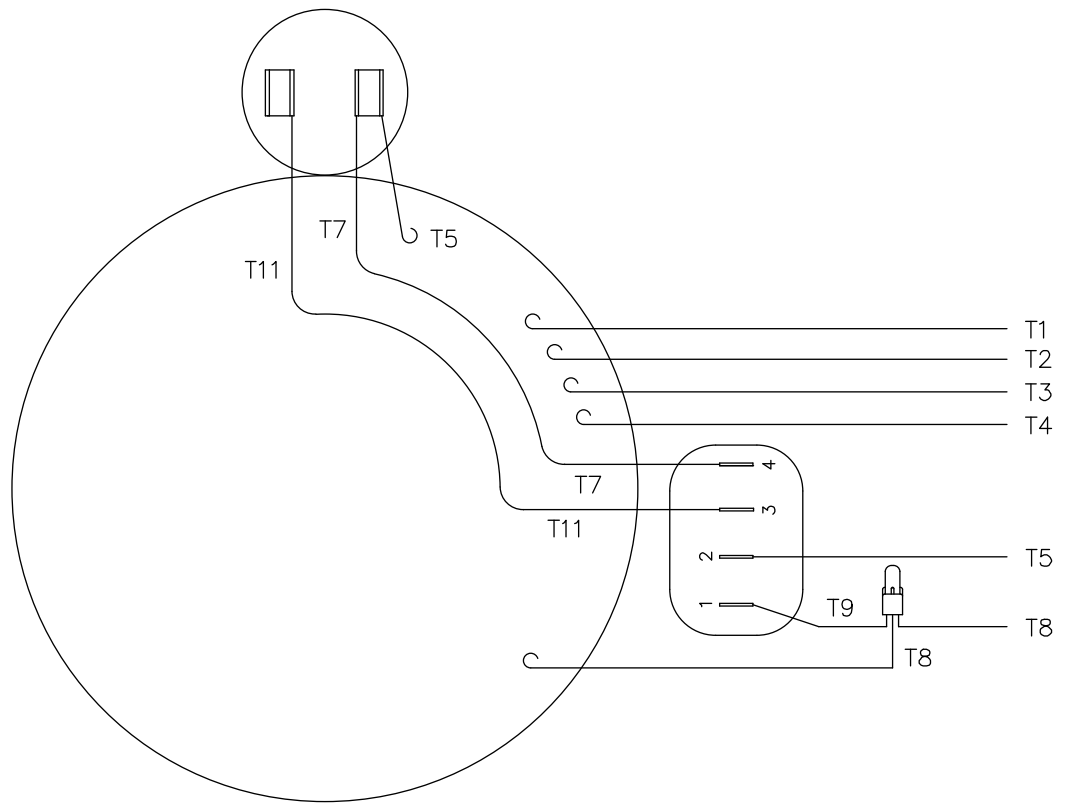
- SPECIAL FEATURES:
1. SHAFT SEALS & V-RING.
  2. PLUGGED DRAIN HOLES IN ENDBELLS & CONDUIT BOX.
  3. BUNA-N GASKETS THROUGHOUT.
  4. STAINLESS STEEL SHAFT, HARDWARE & NAMEPLATE.
  5. SOLID STATE SWITCH MOUNTED TO CONDUIT BOX.



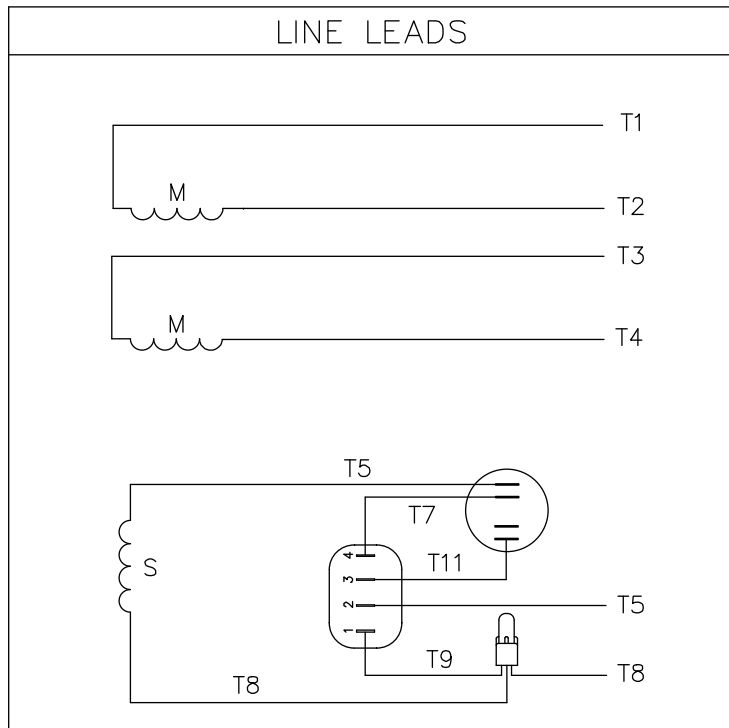
DASH NO.	"C"	"AD"	"XO"	DASH NO.	"C"	"AD"	"XO"
450A	10.37	2.00	2.00	450B	10.37	2.00	2.25
475A	10.62	2.25	2.00	475B	10.62	2.25	2.25
500A	10.87	2.50	2.00	500B	10.87	2.50	2.25
525A	11.12	2.75	2.00	525B	11.12	2.75	2.25
550A	11.37	3.00	2.00	550B	11.37	3.00	2.25
575A	11.62	3.25	2.00	575B	11.62	3.25	2.25
600A	11.87	3.50	2.00	600B	11.87	3.50	2.25
625A	12.12	3.75	2.00	625B	12.12	3.75	2.25
650A	12.37	4.00	2.00	650B	12.37	4.00	2.25

TOLERANCES UNLESS SPECIFIED				LEESON ELECTRIC MOTORS GEARMOTORS AND DRIVES		DRAWN PG 02/08/11	
DEC	INCHES	FINISH	TITLE	SCALE	CHK	REF	APPR
x	±.1		OUTLINE - 56C FRAME	3:8		028881	
.xx	±.03		TEFC - RIGID "C" FACE				
.xxx	±.005		MATL WASHGUARD			113580.00	
.xxxx	±.0005						
NO	REVISION	BY & DATE	CHK ANG ±1/2°	FINISH	SIZE	DRAWING NO	REV
			RFP	PREV	B	607-0008	
	THIRD ANGLE PROJECTION		NETWORK FILE NAME	607-0008			

005278-07



VIEW FROM OUTSIDE OF MOTOR AT SWITCH END.



	ROTATION FACING LEAD END	L1	L2	JOIN & INSULATE
HIGH VOLT	C.C.W.	T1	T4 T5	T2, T3 T8
	C.W.	T1	T4 T8	T2, T3 T5
LOW VOLT	C.C.W.	T1, T3 T8	T2, T4 T5	
	C.W.	T1, T3 T5	T2, T4 T8	

				TOLERANCES UNLESS OTHERWISE SPECIFIED		<b>LEESON</b> ELECTRIC CORPORATION			
				DECIMALS					
				.00	± .01	DRAWN	TITLE		
				.000	± .005	RSK 07/21/98	EXTERNAL WIRING DIAGRAM		
01	ADDED DECAL FOR STOCK MOTORS ECR 0042509	GWS	9/10/13	.0000	± .0005	CH'K'D.	TYPE "C" W/O PROTECTOR		
NO.	REVISION	BY	DATE	FRACTIONS	± 1/64	APPR.	MAT'L. DECAL - 004012		
				ANGLES	± 1/2*	SCALE	STOCK MOTORS TO USE DECAL 214-0122-001		
THIS DRAWING IN DESIGN AND DETAIL IS OUR PROPERTY AND MUST NOT BE USED EXCEPT IN CONNECTION WITH OUR WORK ALL RIGHTS OF DESIGN AND INVENTION ARE RESERVED				INCH/MM		REF. 005278-01	FINISH	SIZE	DRAWING NO.
						FMF 131571	STANDARD	A	005278-07

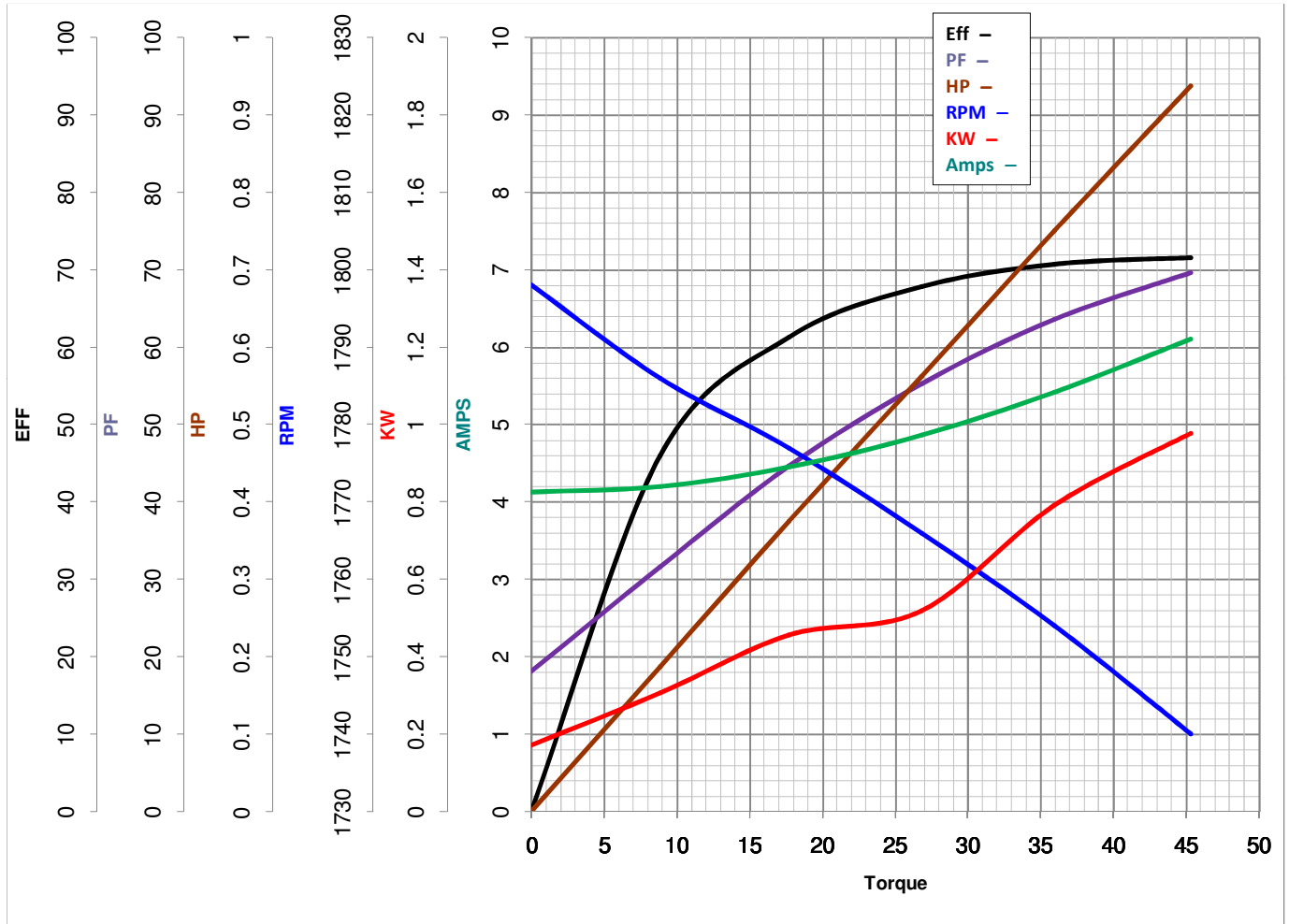


**LEESON ELECTRIC CORPORATION**  
TYPICAL PERFORMANCE CURVE for AC MOTOR

Model No 112528.00

Catalog No 112528.00

Curve at 230 Volts      HP 0.76      PHASE 1  
60 HZ  
0.75 HP      VOLTS 115/208-230  
HZ 60      RPM 1725



Torque in Oz.Ft

FL TORQUE	<u>35.94</u>	Oz.Ft
BD TORQUE	<u>98.5</u>	Oz.Ft
LR TORQUE	<u>114.5</u>	Oz.Ft

FL AMPS	<u>10.8/5.4</u>	
PU TORQUE	<u>84.2</u>	Oz.Ft
LR AMPS	<u>30.1</u>	

WINDING C634258-3

Date 3/23/2018