

# PRODUCT INFORMATION PACKET



Model No: C6T17WK8J

Catalog No: 112523.00

1/4HP..1725RPM.56.TEFC.208-230/460V.3PH.60HZ.CONT.NOT.40C.1.15SF.RIGID  
C.WASHGUARD.C6T17WK8J

General Purpose



Regal and Leeson are trademarks of Regal Beloit Corporation or one of its affiliated companies.

©2018 Regal Beloit Corporation, All Rights Reserved. MC017097E





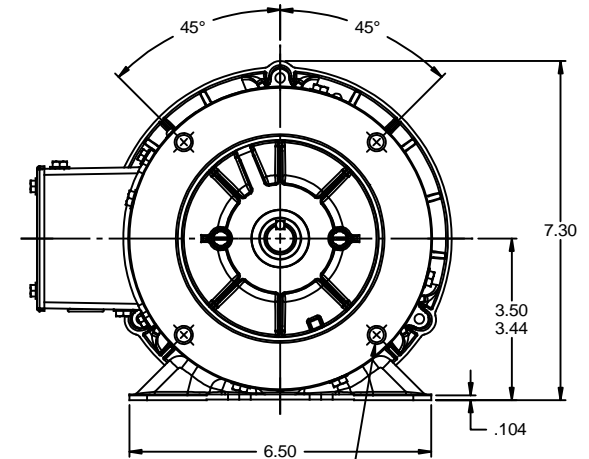
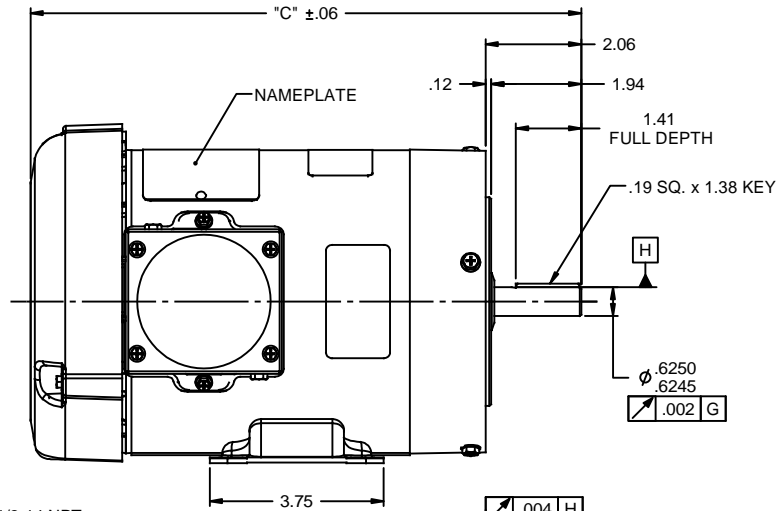
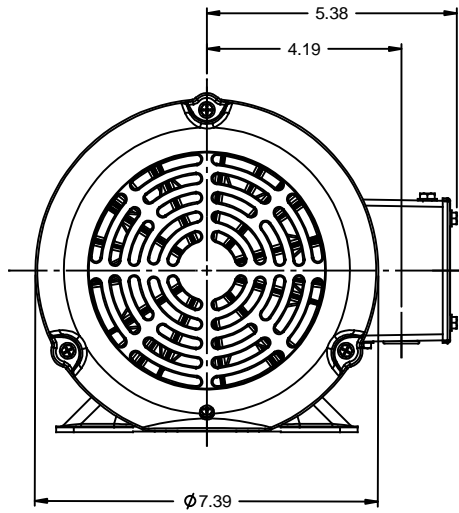
### Nameplate Specifications

Output HP	<b>0.25 Hp</b>	Output KW	<b>0.19 kW</b>
Frequency	<b>60 Hz</b>	Voltage	<b>208-230/460 V</b>
Current	<b>1.1/0.55 A</b>	Speed	<b>1725 rpm</b>
Service Factor	<b>1.15</b>	Phase	<b>3</b>
Efficiency	<b>59.5 %</b>	Duty	<b>Continuous</b>
Insulation Class	<b>F</b>	Design Code	<b>B</b>
KVA Code	<b>K</b>	Frame	<b>56C</b>
Enclosure	<b>Totally Enclosed Fan Cooled</b>	Overload Protector	<b>No</b>
Ambient Temperature	<b>40 °C</b>	Drive End Bearing Size	<b>6205</b>
Opp Drive End Bearing Size	<b>6203</b>	UL	<b>Recognized</b>
CSA	<b>Y</b>	CE	<b>Y</b>
IP Code	<b>55</b>		

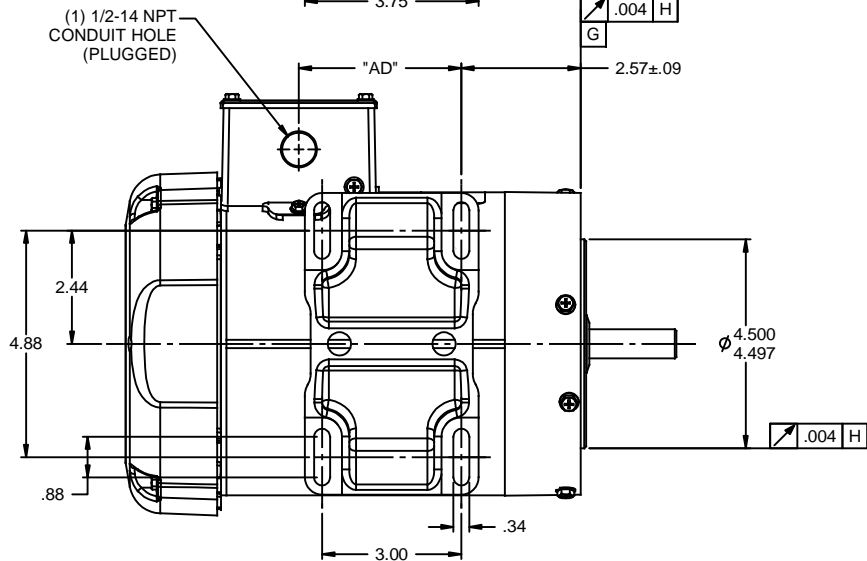
### Technical Specifications

Electrical Type	<b>Squirrel Cage Induction Run</b>	Starting Method	<b>Across The Line</b>
Poles	<b>4</b>	Rotation	<b>Reversible</b>
Mounting	<b>Rigid base</b>	Motor Orientation	<b>HORIZONTAL</b>
Drive End Bearing	<b>BALL</b>	Opp Drive End Bearing	<b>BALL</b>
Frame Material	<b>Rolled Steel</b>	Shaft Type	<b>NEMA 56</b>
Overall Length	<b>10.37 in</b>	Frame Length	<b>4.50 in</b>
Shaft Diameter	<b>0.625 in</b>	Shaft Extension	<b>1.88 in</b>
Assembly/Box Mounting	<b>F1 ONLY</b>		
Outline Drawing	<b>607-0002-450</b>	Connection Diagram	<b>005010.01</b>

**This is an uncontrolled document once printed or downloaded and is subject to change without notice. Date Created: 10/15/2018**

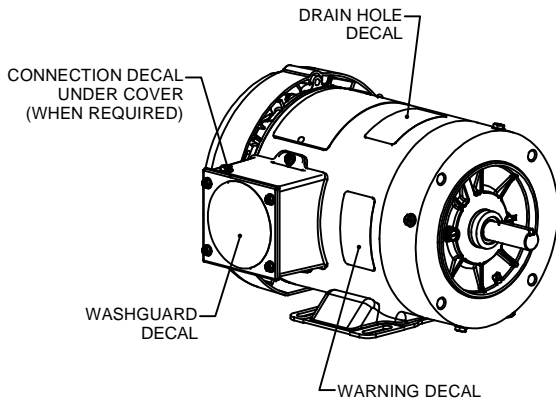


3/8-16 UNC-2B x .56 DEEP  
(4) REQ'D. ON A Ø5.875 B.C.



### WASHGUARD MOTOR

- SPECIAL FEATURES:
1. SHAFT SEALS & V-RING.
  2. PLUGGED DRAIN HOLES IN ENDBELLS & CONDUIT BOX.
  3. BUNA-N GASKETS THROUGHOUT.
  4. STAINLESS STEEL SHAFT, HARDWARE & NAMEPLATE.



DASH NO.	"C"	"AD"
450	10.37	2.00
475	10.62	2.25
500	10.87	2.50
550	11.37	3.00
600	11.87	3.50
650	12.37	4.00
675	12.62	4.25

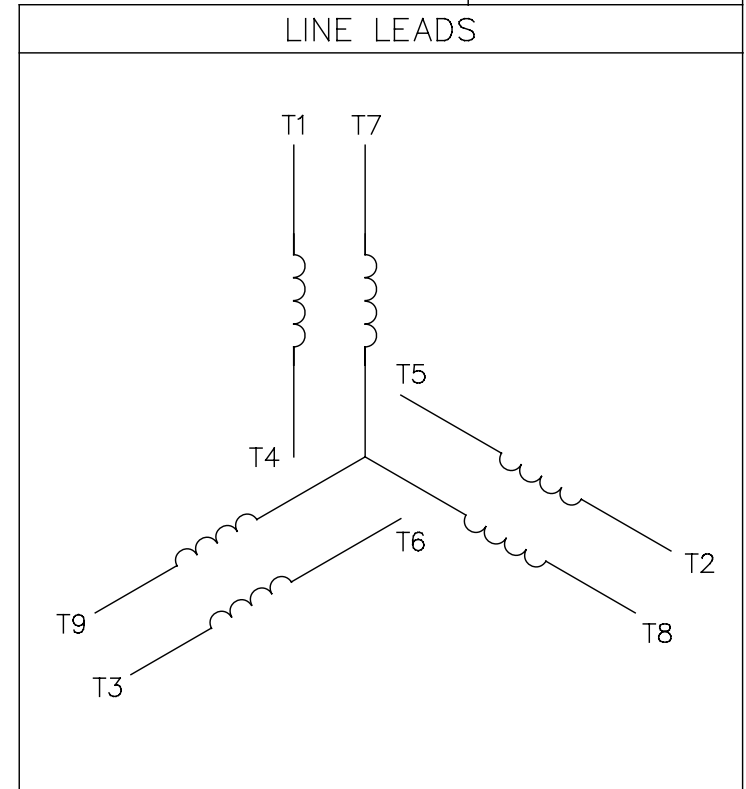
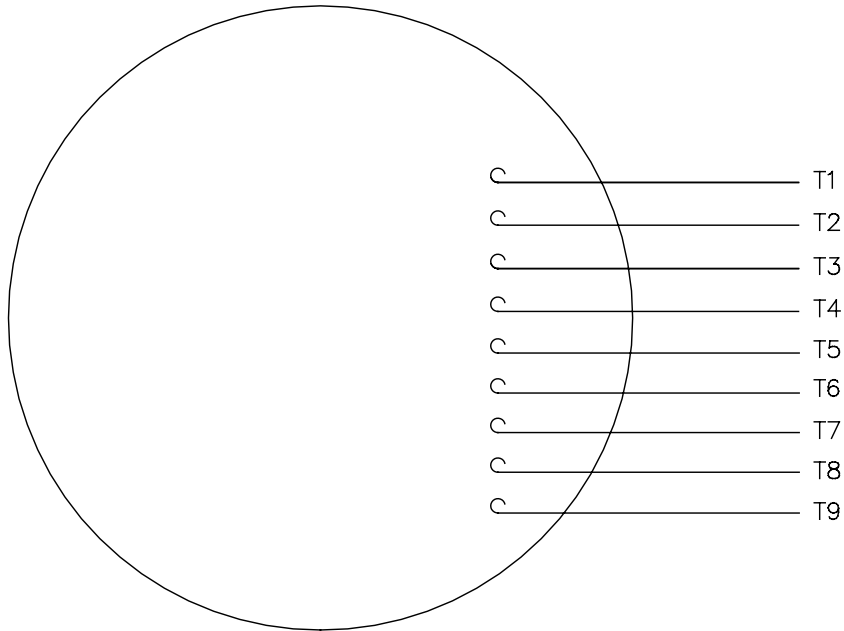
TOLERANCES UNLESS SPECIFIED		TITLE	FINISH	DRAWN	PG 02/01/11			
DEC	INCHES					CHK		
X	±.1	OUTLINE - 56C FRAME TEFC - RIGID "C" FACE MATL WASHGUARD	+1/2"	APPR	SCALE 3:8			
.XX	±.03			REF	028785			
.XXX	±.005			FMF	112429.00			
.XXXI	±.0005			PAGE	OF			
NO	REVISION	BY & DATE	CHK	ANG	PREV	SIZE	DRAWING NO	REV
	THIRD ANGLE PROJECTION		RFP		PREV	B	607-0002	
			NETWORK FILE NAME	607-0002				



ELECTRIC MOTORS  
GEARMOTORS  
AND DRIVES

005010-01

VIEW FROM OUTSIDE OF MOTOR AT SWITCH END.



VOLTAGE	L1	L2	L3	JOIN & INSULATE
HIGH	T1	T2	T3	(T4,T7) (T5,T8) (T6,T9)
LOW	T1,T7	T2,T8	T3,T9	T4,T5,T6

				TOLERANCES UNLESS SPECIFIED		<b>Regal Beloit America, Inc.</b>		DRAWN RDW 04/12/02				
				DEC.	INCHES			CHK				
				.X	±.1			APPD				
				.XX	±.01			SCALE 1=1				
				.XXX	±.005	TITLE		REF FIG.2-51				
A	UPDATED TO REGAL LOGO			SAJ	06/26/15	AJY	.XXXX	±.0005	MAT'L.	DECAL - 004014	FMF	
NO.	REVISION			BY & DATE	CHK	ANG	±1/2"	FINISH			PREV	
THIS DRAWING IN DESIGN AND DETAIL IS OUR PROPERTY AND MUST NOT BE USED EXCEPT IN CONNECTION WITH OUR WORK ALL RIGHTS OF DESIGN AND INVENTION ARE RESERVED THIS IS AN ELECTRONICALLY GENERATED DOCUMENT - DO NOT SCALE THIS PRINT				RFP	04/12/02		CAD FILE	00501001		SIZE	DRAWING NO.	
				DIST	BRF-NLV				A	005010-01		REV.



1051 CHEYENNE AVE.  
 GRAFTON, WI 53024  
 PH. 262-377-8810

CERTIFICATION DATA SHEET

CATALOG #: 112523.00

CONN. DIAGRAM: 005010.01

OUTLINE: 607-0002-450

MOUNTING: F1 ONLY

WINDING #: T634232 FR 3 B

TYPICAL MOTOR PERFORMANCE DATA

HP	KW	SYNC. RPM	F.L. RPM	FRAME	ENCLOSURE	KVA CODE	DESIGN
1/4	0.19	1800	1725	56C	TEFC	K	B

PH	HZ	VOLTS	AMPS	START TYPE	DUTY	INSL	S.F.	AMB°C
3	60	208-230/460	1.1/.55	ACROSS THE LINE	CONTINUOUS	F4	1.15	40

FULL LOAD EFF:	59.5	3/4 LOAD EFF:	54.5	1/2 LOAD EFF:	45.4	GTD. EFF	ELEC. TYPE
FULL LOAD PF:	70	3/4 LOAD PF:	63	1/2 LOAD PF:	54.4	0	SQ CAGE IND RUN

F.L. TORQUE	LOCKED ROTOR AMPS	L.R. TORQUE	B.D. TORQUE	F.L. RISE°C
12 OZ-FT	6.1 / 3.1	32 OZ-FT	267 %	43.1 OZ-FT
				359 %

SOUND PRESSURE @ 3 FT.	SOUND POWER	ROTOR WK^2	MAX. WK^2	SAFE STALL TIME	STARTS / HOUR	APPROX. MOTOR WGT
0 DBA	10 DBA	0.036 LB-FT^2	0 LB-FT^2	0 SEC.	0	0 LBS.

\*\*\* SUPPLEMENTAL INFORMATION \*\*\*

DE BRACKET TYPE	ODE BRACKET TYPE	MOUNT TYPE	ORIENTATION	SEVERE DUTY	HAZARDOUS LOCATION	DRIP COVER	SCREENS	PAINT
C-FACE	STANDARD	RIGID	HORIZONTAL	FALSE	NONE	FALSE	NONE	WHITE - LEESON (EPOXY)

BEARINGS DE ODE	GREASE	SHAFT TYPE	SPECIAL DE	SPECIAL ODE	SHAFT MATERIAL	FRAME MATERIAL
BALL BALL	POLYREX EM	STANDARD 56	NONE	NONE	303 STAINLESS (C-501)	ROLLED STEEL

THERMO-PROTECTORS				THERMISTORS			SPACE HEATERS	
THERMOSTATS	PROTECTORS	WDG RTDS	BRG RTDS	CONTROL	VOLTS			
NONE	NOT	NONE	NONE	NONE	FALSE	NONE	NONE	NONE

\*

INVERTER TORQUE: NONE  
 INV. HP SPEED RANGE: NONE

ENCODER:	NONE	NONE	PPR
NONE	NONE	NONE	PPR

BRAKE:	NONE	NONE	NONE	V	NONE	Hz
NONE	NONE	NONE	PPR	NONE	NONE	Hz

S

