

PRODUCT INFORMATION PACKET



Model No: C6T17WK6J

Catalog No: 112521.00

1/3HP..1725RPM.56.TEFC./575V.3PH.60HZ.CONT.NOT.40C.1.15SF.RIGID C.WASHGUARD.C6T17WK6J
575 Volts



Regal and Leeson are trademarks of Regal Beloit Corporation or one of its affiliated companies.

©2018 Regal Beloit Corporation, All Rights Reserved. MC017097E





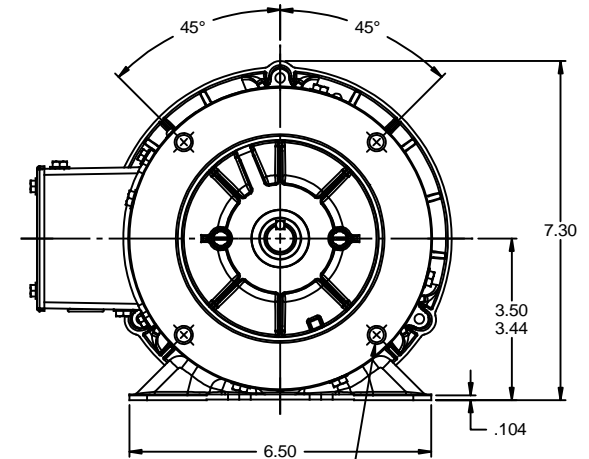
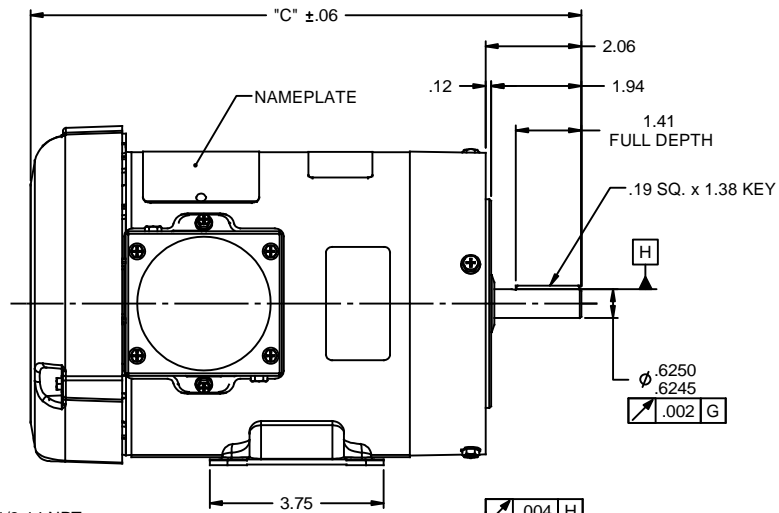
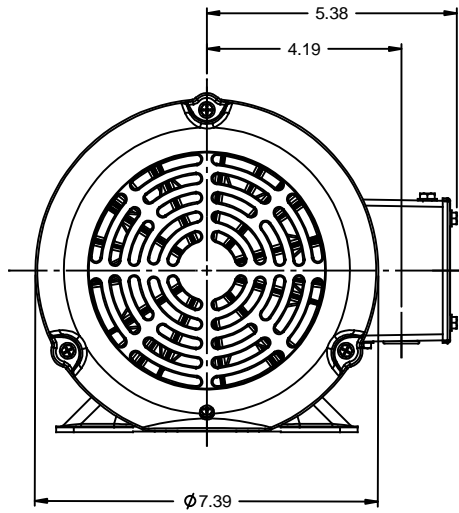
Nameplate Specifications

Output HP	0.33 Hp	Output KW	0.25 kW
Frequency	60 Hz	Voltage	575 V
Current	0.68 A	Speed	1725 rpm
Service Factor	1.15	Phase	3
Efficiency	68 %	Duty	Continuous
Insulation Class	F	Design Code	B
KVA Code	L	Frame	56C
Enclosure	Totally Enclosed Fan Cooled	Overload Protector	No
Ambient Temperature	40 °C	Drive End Bearing Size	6205
Opp Drive End Bearing Size	6203	UL	Recognized
CSA	Y	CE	N
IP Code	55		

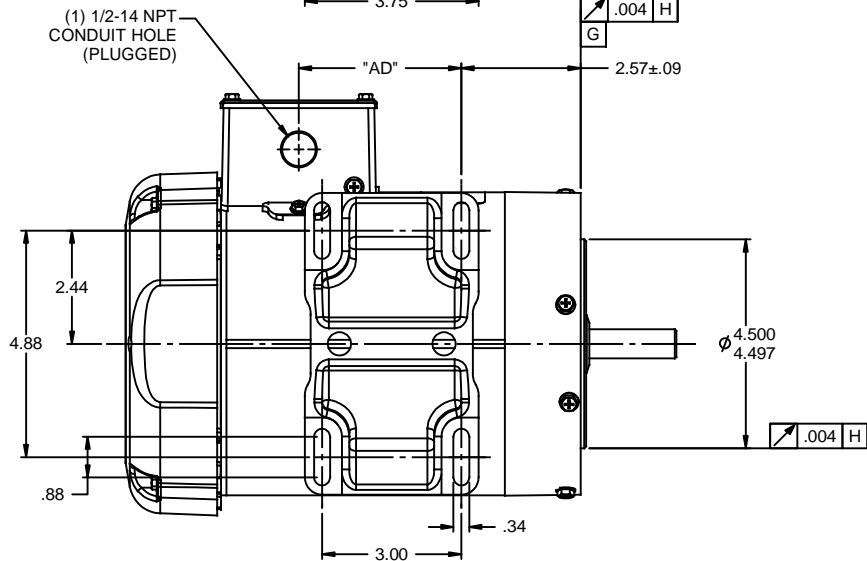
Technical Specifications

Electrical Type	Squirrel Cage Induction Run	Starting Method	Across The Line
Poles	4	Rotation	Reversible
Mounting	Rigid base	Motor Orientation	HORIZONTAL
Drive End Bearing	BALL	Opp Drive End Bearing	BALL
Frame Material	Rolled Steel	Shaft Type	NEMA 56
Overall Length	10.37 in	Frame Length	4.50 in
Shaft Diameter	0.625 in	Shaft Extension	1.88 in
Assembly/Box Mounting	F1 ONLY		
Outline Drawing	607-0002-450	Connection Diagram	005102.01

This is an uncontrolled document once printed or downloaded and is subject to change without notice. Date Created: 10/15/2018

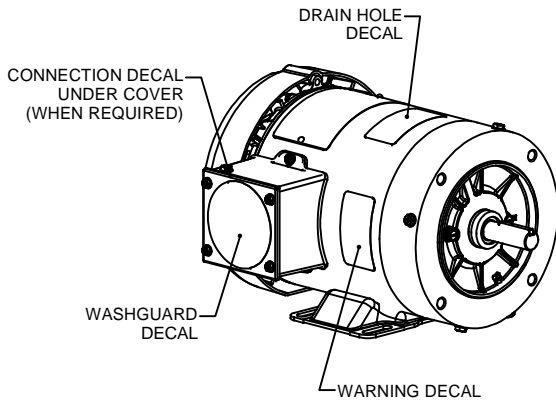


3/8-16 UNC-2B x .56 DEEP
(4) REQ'D. ON A Ø5.875 B.C.



WASHGUARD MOTOR

- SPECIAL FEATURES:
1. SHAFT SEALS & V-RING.
 2. PLUGGED DRAIN HOLES IN ENDBELLS & CONDUIT BOX.
 3. BUNA-N GASKETS THROUGHOUT.
 4. STAINLESS STEEL SHAFT, HARDWARE & NAMEPLATE.

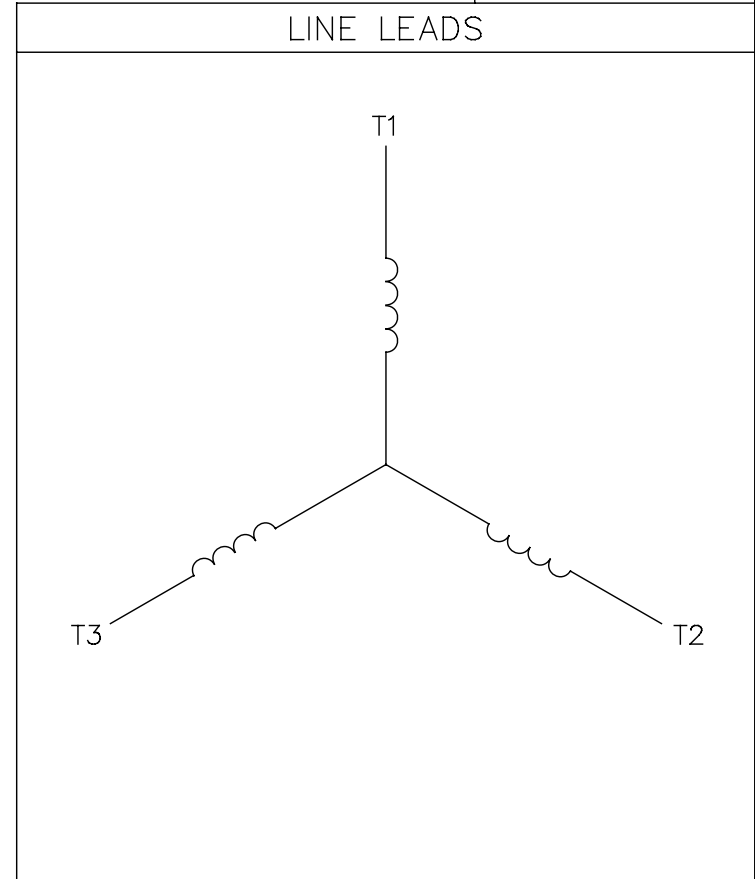
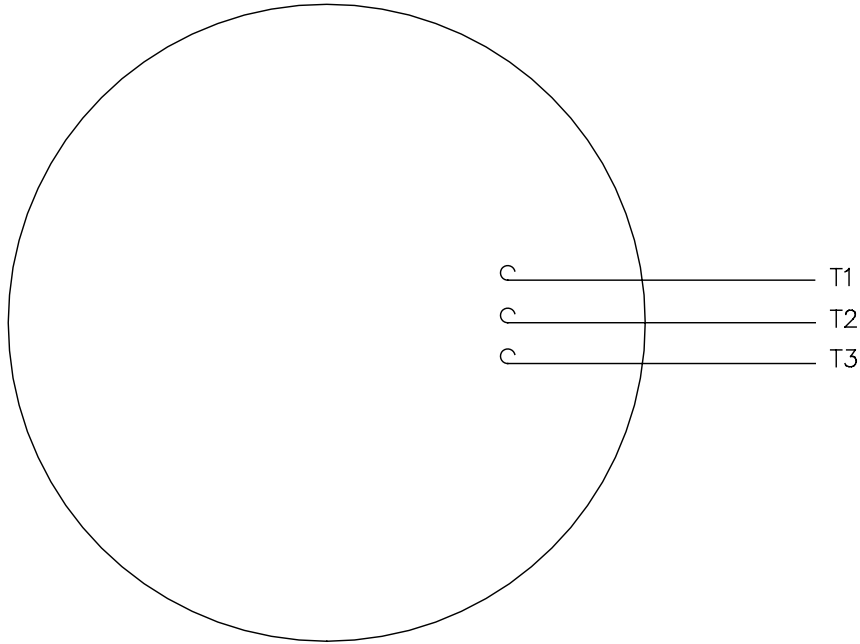


DASH NO.	"C"	"AD"
450	10.37	2.00
475	10.62	2.25
500	10.87	2.50
550	11.37	3.00
600	11.87	3.50
650	12.37	4.00
675	12.62	4.25

TOLERANCES UNLESS SPECIFIED		ELECTRIC MOTORS GEARMOTORS AND DRIVES		DRAWN PG 02/01/11
DEC	INCHES			CHK
X	±.1			APPR
.XX	±.03			SCALE 3:8
.XXX	±.005			REF 028785
.XXXX	±.0005	MATL WASHGUARD	FMF 112429.00	PAGE OF
NO	REVISION	BY & DATE	CHK ANG ±1/2"	FINISH
THIRD ANGLE PROJECTION		RFP	PREV	SIZE B
		NETWORK FILE NAME 607-0002	PREV	DRAWING NO 607-0002
				REV

005102-01

VIEW FROM OUTSIDE OF MOTOR AT SWITCH END.



CONNECT LEADS AS FOLLOWS
FOR FOUR CONDUCTOR CORD ()

CORD	L1 (RED)	L2 (WHITE)	L3 (BLACK)	(GREEN)
MOTOR	T1	T2	T3	GROUND

				TOLERANCES UNLESS SPECIFIED		REGAL™ Regal Beloit America, Inc.		DRAWN JRW 9/11/75		
				DEC.	INCHES			CHK		
				.X	±.1			APPD JCW 9/11/75		
08	UPDATED TO REGAL LOGO	SAJ 06/26/15	AJY	.XX	±.01	TITLE EXTERNAL WIRING DIAGRAM TYPE "T" W/O PROTECTOR		SCALE 1=1		
07	UPDATED TO CURRENT STANDARDS	DBT 5/30/97		.XXX	±.005			REF W-T6343-6		
06	REDRAWN ON CAD; ADDED DECAL NUMBER	SAW 1/24/95		.XXXX	±.0005			MAT'L. DECAL - 004169		FMF 6T17FB7
NO.	REVISION	BY & DATE	CHK	ANG	±1/2"	FINISH		PREV		
THIS DRAWING IN DESIGN AND DETAIL IS OUR PROPERTY AND MUST NOT BE USED EXCEPT IN CONNECTION WITH OUR WORK ALL RIGHTS OF DESIGN AND INVENTION ARE RESERVED THIS IS AN ELECTRONICALLY GENERATED DOCUMENT - DO NOT SCALE THIS PRINT				RFP	5/1/02	CAD FILE 00510201		SIZE	DRAWING NO.	REV.
				DIST BRF-NLV				A	005102-01	08

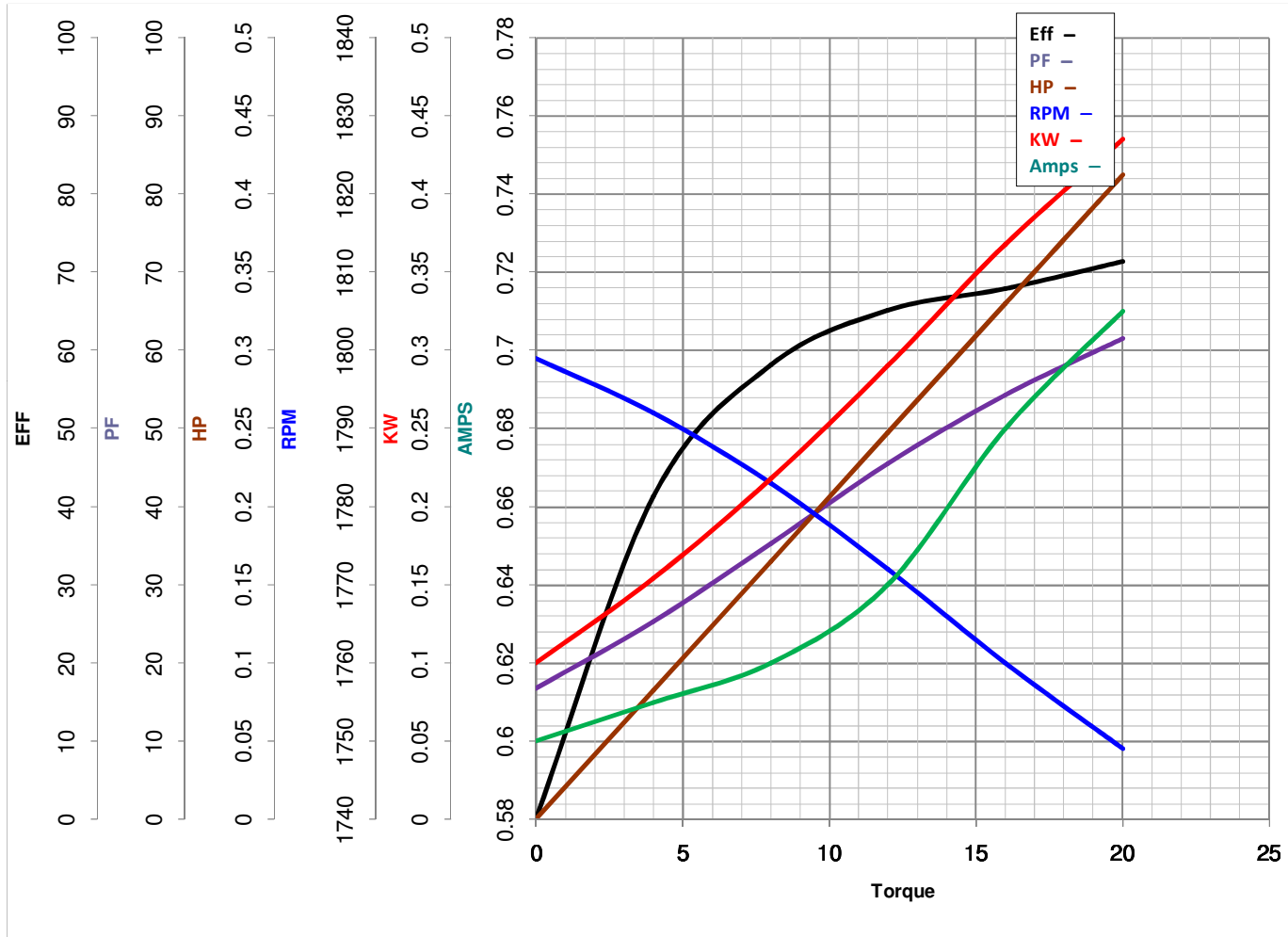


LEESON ELECTRIC CORPORATION
 TYPICAL PERFORMANCE CURVE for AC MOTOR

Model No 112521.00

Catalog No 112521.00

Curve at 575 Volts HP 0.33 PHASE 3
60 HZ
0.33 HP VOLTS 575
 HZ 60 RPM 1725



Torque in Oz.Ft

FL TORQUE 16 Oz.Ft
 BD TORQUE 65.5 Oz.Ft
 LR TORQUE 44.5 Oz.Ft

FL AMPS 0.68
 PU TORQUE 41.0 Oz.Ft
 LR AMPS 3.46

WINDING T634201-4

Date 5/28/2018