

PRODUCT INFORMATION PACKET



Model No: C6T17WK5H

Catalog No: 112520.00

1/4HP..1725RPM.56.TEFC./575V.3PH.60HZ.CONT.NOT.40C.1.15SF.RIGID C.WASHGUARD.C6T17WK5H
575 Volts



Regal and Leeson are trademarks of Regal Beloit Corporation or one of its affiliated companies.

©2018 Regal Beloit Corporation, All Rights Reserved. MC017097E





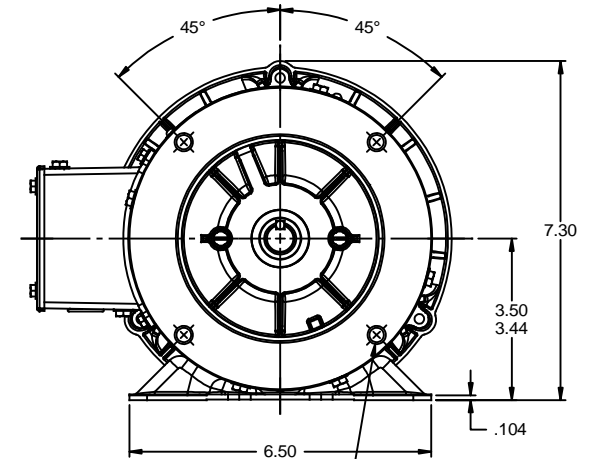
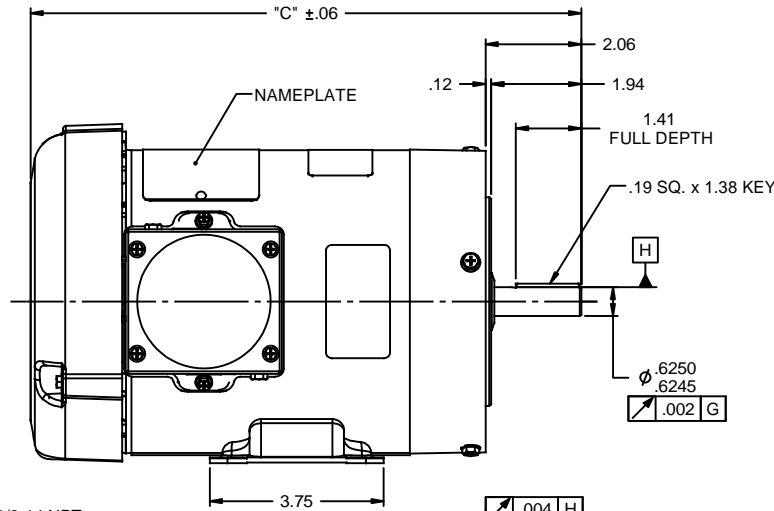
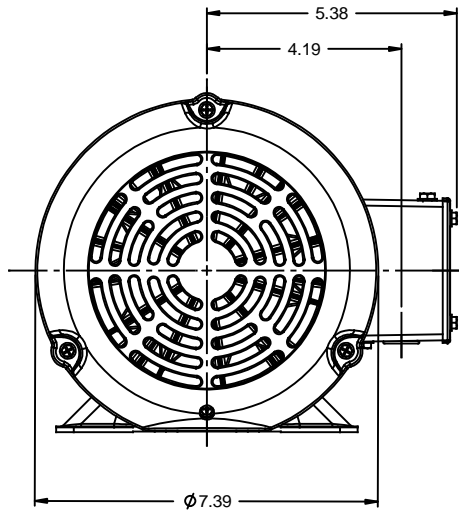
Nameplate Specifications

Output HP	0.25 Hp	Output KW	0.19 kW
Frequency	60 Hz	Voltage	575 V
Current	0.44 A	Speed	1725 rpm
Service Factor	1.15	Phase	3
Efficiency	68 %	Duty	Continuous
Insulation Class	F	Design Code	B
KVA Code	L	Frame	56C
Enclosure	Totally Enclosed Fan Cooled	Overload Protector	No
Ambient Temperature	40 °C	Drive End Bearing Size	6205
Opp Drive End Bearing Size	6203	UL	Recognized
CSA	Y	CE	N
IP Code	55		

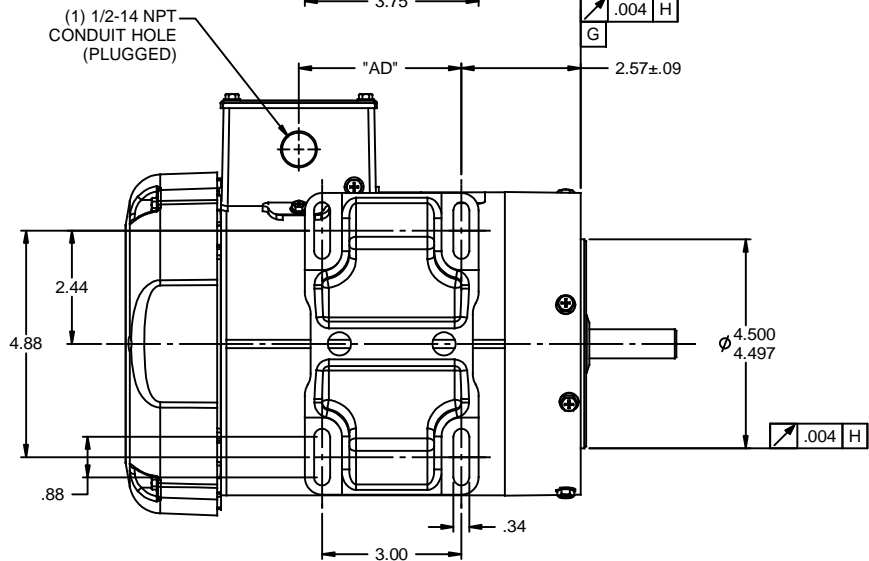
Technical Specifications

Electrical Type	Squirrel Cage Induction Run	Starting Method	Across The Line
Poles	4	Rotation	Reversible
Mounting	Rigid base	Motor Orientation	HORIZONTAL
Drive End Bearing	BALL	Opp Drive End Bearing	BALL
Frame Material	Rolled Steel	Shaft Type	NEMA 56
Overall Length	10.62 in	Frame Length	4.75 in
Shaft Diameter	0.625 in	Shaft Extension	1.88 in
Assembly/Box Mounting	F1 ONLY		
Outline Drawing	607-0002-475	Connection Diagram	005102.01

This is an uncontrolled document once printed or downloaded and is subject to change without notice. Date Created: 10/15/2018

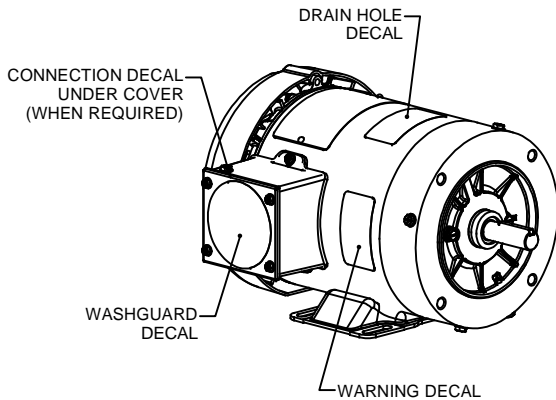


3/8-16 UNC-2B x .56 DEEP
(4) REQ'D. ON A Ø5.875 B.C.



WASHGUARD MOTOR

- SPECIAL FEATURES:
1. SHAFT SEALS & V-RING.
 2. PLUGGED DRAIN HOLES IN ENDBELLS & CONDUIT BOX.
 3. BUNA-N GASKETS THROUGHOUT.
 4. STAINLESS STEEL SHAFT, HARDWARE & NAMEPLATE.



DASH NO.	"C"	"AD"
450	10.37	2.00
475	10.62	2.25
500	10.87	2.50
550	11.37	3.00
600	11.87	3.50
650	12.37	4.00
675	12.62	4.25

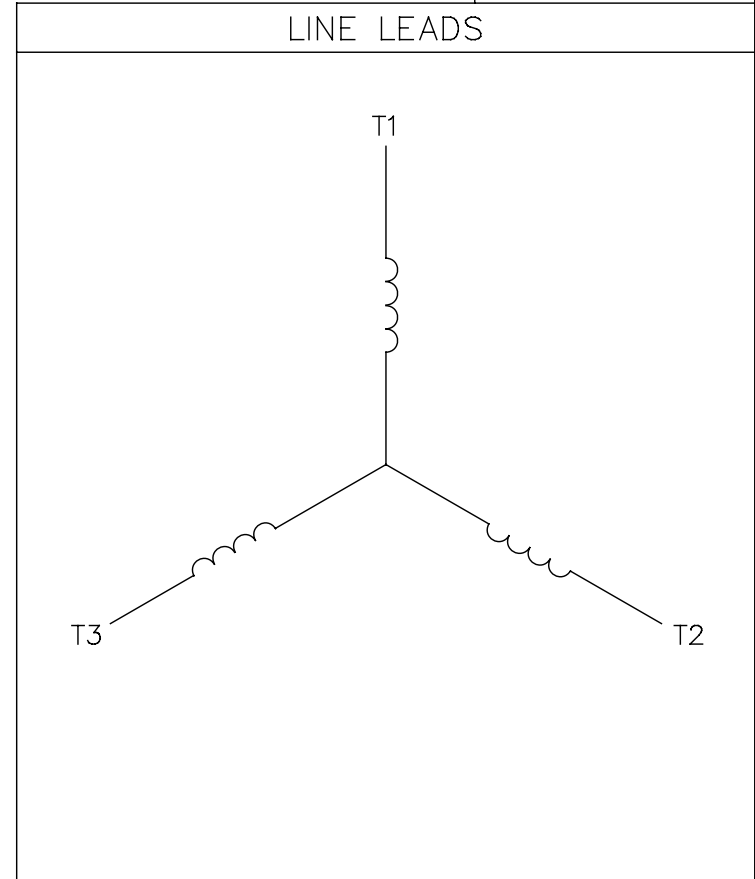
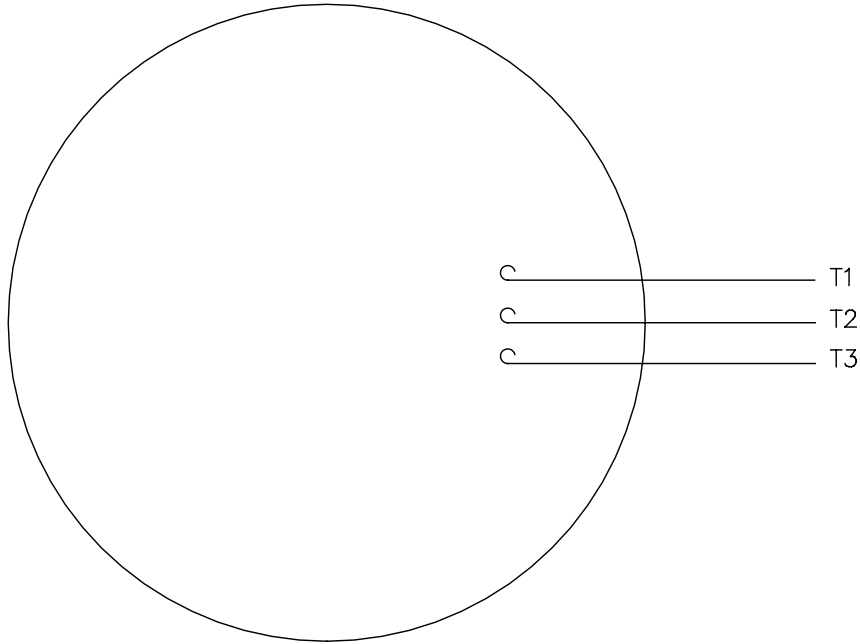
TOLERANCES UNLESS SPECIFIED		TITLE	FINISH	DRAWN	PG 02/01/11			
DEC	INCHES					CHK		
x	±.1	OUTLINE - 56C FRAME TEFC - RIGID "C" FACE MATL WASHGUARD	+1/2"	APPR	SCALE 3:8			
.xx	±.03			REF	028785			
.xxx	±.005			FMF	112429.00			
.xxxX	±.0005			PAGE	OF			
NO	REVISION	BY & DATE	CHK	ANG	PREV	SIZE	DRAWING NO	REV
	THIRD ANGLE PROJECTION		RFP		PREV	B	607-0002	
			NETWORK FILE NAME	607-0002				



ELECTRIC MOTORS
GEARMOTORS
AND DRIVES

005102-01

VIEW FROM OUTSIDE OF MOTOR AT SWITCH END.



CONNECT LEADS AS FOLLOWS
FOR FOUR CONDUCTOR CORD ()

CORD	L1 (RED)	L2 (WHITE)	L3 (BLACK)	(GREEN)
MOTOR	T1	T2	T3	GROUND

				TOLERANCES UNLESS SPECIFIED		Regal Beloit America, Inc.			DRAWN JRW 9/11/75	
				DEC.	INCHES				CHK	
				.X	±.1	EXTERNAL WIRING DIAGRAM TYPE "T" W/O PROTECTOR		APPD JCW 9/11/75		
08	UPDATED TO REGAL LOGO	SAJ 06/26/15	AJY .XX	±.01	SCALE 1=1					
07	UPDATED TO CURRENT STANDARDS	DBT 5/30/97	.XXX	±.005	REF W-T6343-6					
06	REDRAWN ON CAD; ADDED DECAL NUMBER	SAW 1/24/95	.XXXX	±.0005	FMF 6T17FB7					
NO.	REVISION	BY & DATE	CHK	ANG	±1/2"	FINISH	PREV			
THIS DRAWING IN DESIGN AND DETAIL IS OUR PROPERTY AND MUST NOT BE USED EXCEPT IN CONNECTION WITH OUR WORK ALL RIGHTS OF DESIGN AND INVENTION ARE RESERVED THIS IS AN ELECTRONICALLY GENERATED DOCUMENT - DO NOT SCALE THIS PRINT				RFP	5/1/02	CAD FILE	00510201	SIZE	DRAWING NO.	REV.
				DIST		BRF-NLV	A	005102-01	08	