

PRODUCT INFORMATION PACKET



Model No: C6C17WB1L

Catalog No: 112431.00

1/2HP..1725RPM.56.TEFC./V.1PH.60HZ.CONT.NOT.40C.1.15SF.RIGID.WASHGUARD.C6C17WB1L

General Purpose



Regal and Leeson are trademarks of Regal Beloit Corporation or one of its affiliated companies.

©2018 Regal Beloit Corporation, All Rights Reserved. MC017097E





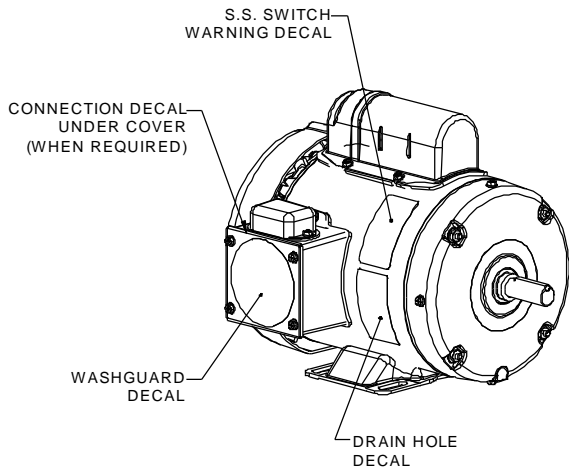
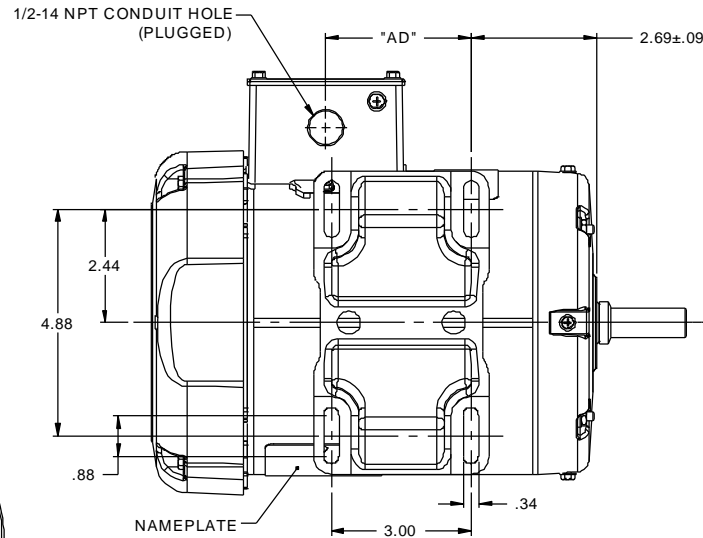
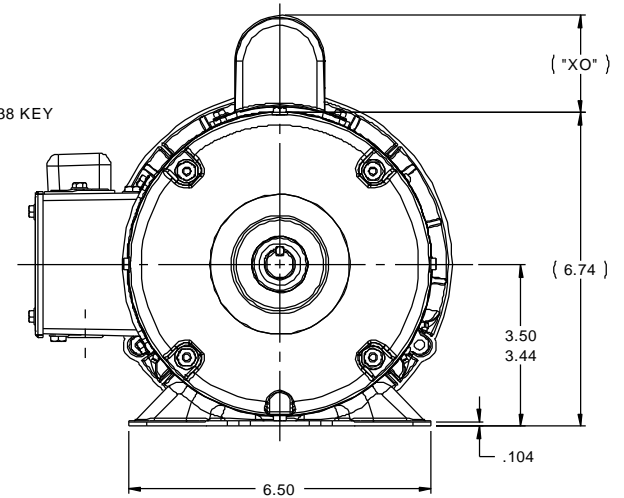
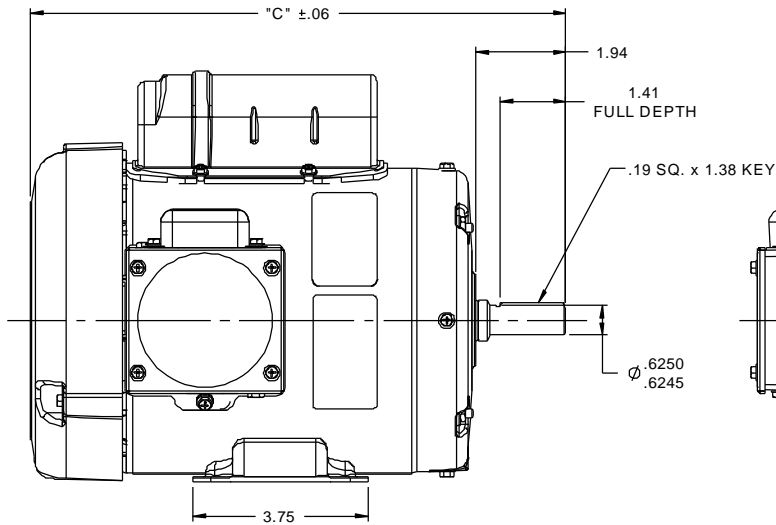
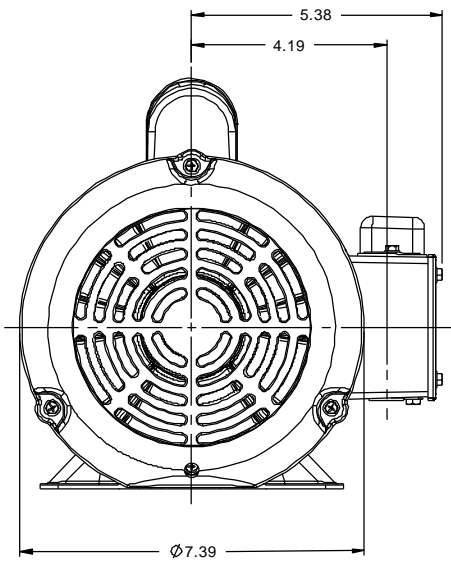
Nameplate Specifications

Output HP	0.50 Hp	Output KW	0.37 kW
Frequency	60 Hz	Voltage	115/208-230 V
Current	8.8/4.4 A	Speed	1725 rpm
Service Factor	1.15	Phase	1
Efficiency	66 %	Duty	Continuous
Insulation Class	F	Design Code	N
KVA Code	L	Frame	56
Enclosure	Totally Enclosed Fan Cooled	Overload Protector	No
Ambient Temperature	40 °C	Drive End Bearing Size	6205
Opp Drive End Bearing Size	6203	UL	Recognized
CSA	Y	CE	N
IP Code	55		

Technical Specifications

Electrical Type	Capacitor Start Induction Run	Starting Method	Across The Line
Poles	4	Rotation	Selective Counterclockwise
Mounting	Rigid base	Motor Orientation	HORIZONTAL
Drive End Bearing	BALL	Opp Drive End Bearing	BALL
Frame Material	Rolled Steel	Shaft Type	NEMA 56
Overall Length	10.50 in	Frame Length	5.00 in
Shaft Diameter	0.625 in	Shaft Extension	1.88 in
Assembly/Box Mounting	F1 ONLY		
Outline Drawing	607-0011-500A	Connection Diagram	005278.07

This is an uncontrolled document once printed or downloaded and is subject to change without notice. Date Created: 10/15/2018



WASHGUARD MOTOR

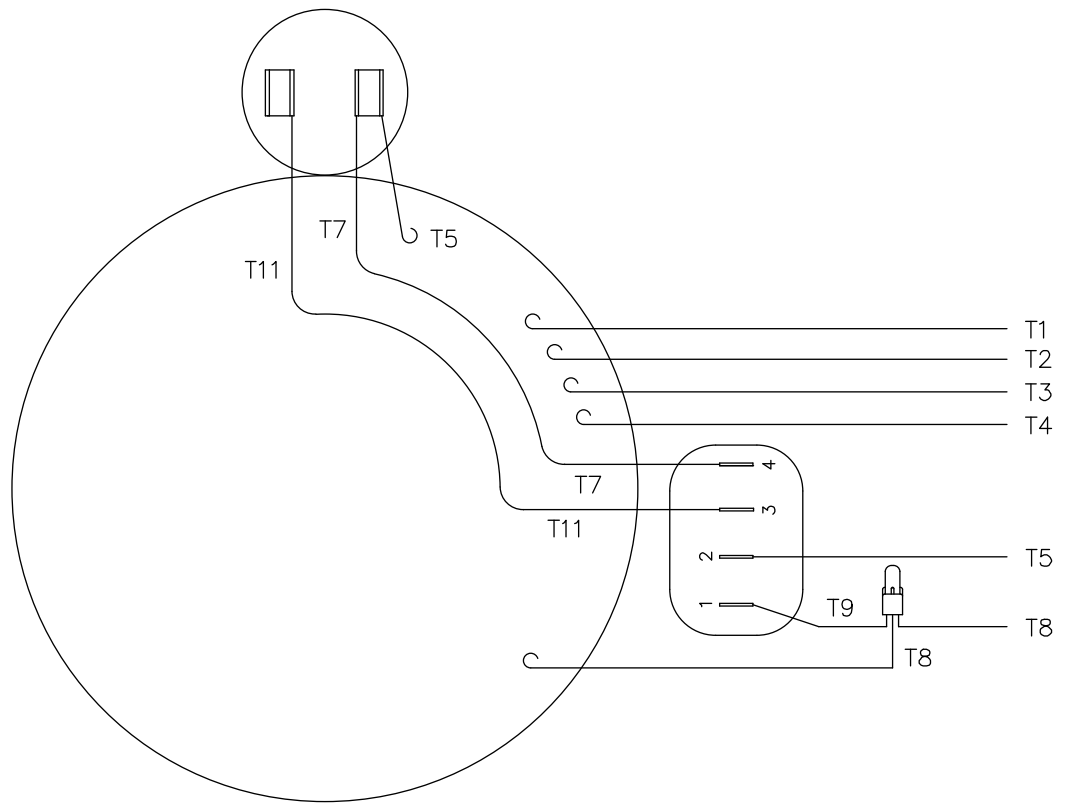
- SPECIAL FEATURES:
1. SHAFT SEALS & V-RING.
 2. PLUGGED DRAIN HOLES IN ENDBELLS & CONDUIT BOX.
 3. BUNA-N GASKETS THROUGHOUT.
 4. STAINLESS STEEL SHAFT, HARDWARE & NAMEPLATE.
 5. SOLID STATE SWITCH MOUNTED TO CONDUIT BOX.

DASH NO.	"C"	"AD"	"XO"
450A	10.00	1.63	2.00
475A	10.25	1.88	2.00
500A	10.50	2.13	2.00
525A	10.75	2.38	2.00
550A	11.00	2.63	2.00
575A	11.25	2.88	2.00
600A	11.50	3.13	2.00
625A	11.75	3.38	2.00
650A	12.00	3.63	2.00

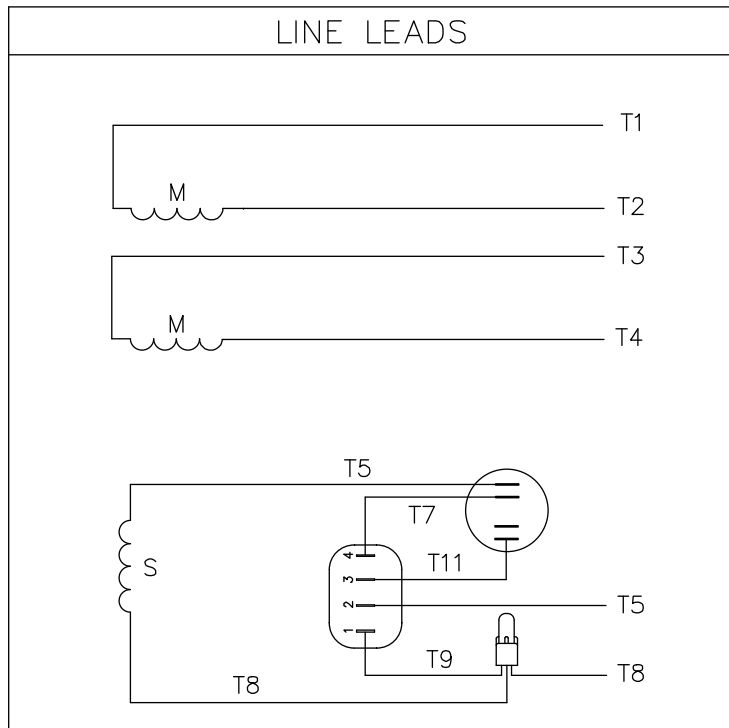
DASH NO.	"C"	"AD"	"XO"
450B	10.00	1.63	2.25
475B	10.25	1.88	2.25
500B	10.50	2.13	2.25
525B	10.75	2.38	2.25
550B	11.00	2.63	2.25
575B	11.25	2.88	2.25
600B	11.50	3.13	2.25
625B	11.75	3.38	2.25
650B	12.00	3.63	2.25

		TOLERANCES UNLESS SPECIFIED		ELECTRIC MOTORS GEARMOTORS AND DRIVES		DRAWN PG 02/10/11	
		DEC INCHES				CHK	
		X ±.1		APPR		SCALE 3:8	
		XX ±.03		TITLE OUTLINE - 56 FRAME		REF 028880	
		XXX ±.005		TEFC - RIGID		FMF 112431.00	
		XXXX ±.0005		MAT'L WASHGUARD		PAGE OF	
NO		REVISION		BY & DATE		FINISH	
		THIRD ANGLE PROJECTION		CHK LANG ±1/2"		PREV	
				RFP		SIZE B	
				NETWORK FILE NAME 607-0011		DRAWING NO 607-0011	
						REV	

005278-07



VIEW FROM OUTSIDE OF MOTOR AT SWITCH END.



	ROTATION FACING LEAD END	L1	L2	JOIN & INSULATE
HIGH VOLT	C.C.W.	T1	T4 T5	T2,T3 T8
	C.W.	T1	T4 T8	T2,T3 T5
LOW VOLT	C.C.W.	T1,T3 T8	T2,T4 T5	
	C.W.	T1,T3 T5	T2,T4 T8	

				TOLERANCES UNLESS OTHERWISE SPECIFIED		LEESON ELECTRIC CORPORATION			
				DECIMALS					
				.00	± .01	DRAWN	TITLE		
				.000	± .005	RSK 07/21/98	EXTERNAL WIRING DIAGRAM		
01	ADDED DECAL FOR STOCK MOTORS ECR 0042509	GWS	9/10/13	.0000	± .0005	CH'K'D.	TYPE "C" W/O PROTECTOR		
NO.	REVISION	BY	DATE	FRACTIONS	± 1/64	APPR.	MAT'L. DECAL - 004012		
				ANGLES	± 1/2*	SCALE	STOCK MOTORS TO USE DECAL 214-0122-001		
THIS DRAWING IN DESIGN AND DETAIL IS OUR PROPERTY AND MUST NOT BE USED EXCEPT IN CONNECTION WITH OUR WORK ALL RIGHTS OF DESIGN AND INVENTION ARE RESERVED				INCH/MM		REF. 005278-01	FINISH	SIZE	DRAWING NO.
						FMF 131571	STANDARD	A	005278-07

