

PRODUCT INFORMATION PACKET



Model No: C6C34NB19H

Catalog No: 111949.00

1.5HP..3450RPM.56.TENV.115/208-230V.1PH.60HZ.AIROVER.NOT.40C.1.0SF.RIGID.AG - FAN & BLOWER.C6C34NB19H

Agricultural



Regal and Leeson are trademarks of Regal Beloit Corporation or one of its affiliated companies.

©2018 Regal Beloit Corporation, All Rights Reserved. MC017097E





Nameplate Specifications

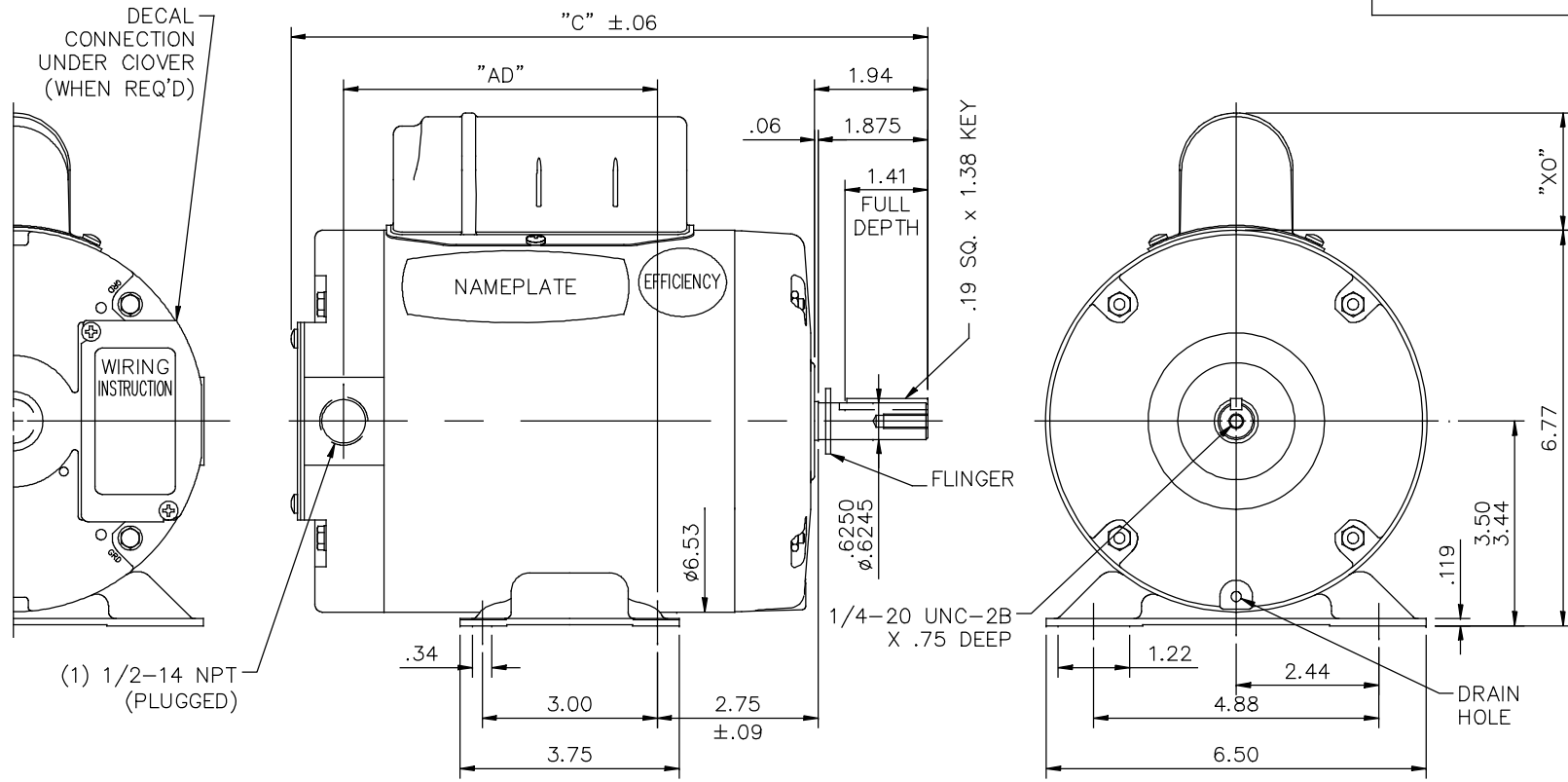
Output HP	1.50 Hp	Output KW	1.1 kW
Frequency	60 Hz	Voltage	115/208-230 V
Current	17.0/9.0-8.5 A	Speed	3450 rpm
Service Factor	1	Phase	1
Efficiency	72 %	Duty	Continuous
Insulation Class	B	Design Code	L
KVA Code	H	Frame	56Z
Enclosure	Totally Enclosed Air Over	Overload Protector	No
Ambient Temperature	40 °C	Drive End Bearing Size	6203
Opp Drive End Bearing Size	6203	UL	Recognized
CSA	Y	CE	N
IP Code	43		

Technical Specifications

Electrical Type	Capacitor Start Induction Run	Starting Method	Across The Line
Poles	2	Rotation	Selective Counterclockwise
Mounting	Rigid base	Motor Orientation	HORIZONTAL
Drive End Bearing	BALL	Opp Drive End Bearing	BALL
Frame Material	Rolled Steel	Shaft Type	Single Special Extension
Overall Length	11.40 in	Frame Length	6.50 in
Shaft Diameter	0.625 in	Shaft Extension	1.87 in
Assembly/Box Mounting	F1 ONLY		
Outline Drawing	028597-650B	Connection Diagram	005005.52

This is an uncontrolled document once printed or downloaded and is subject to change without notice. Date Created: 10/15/2018

028597

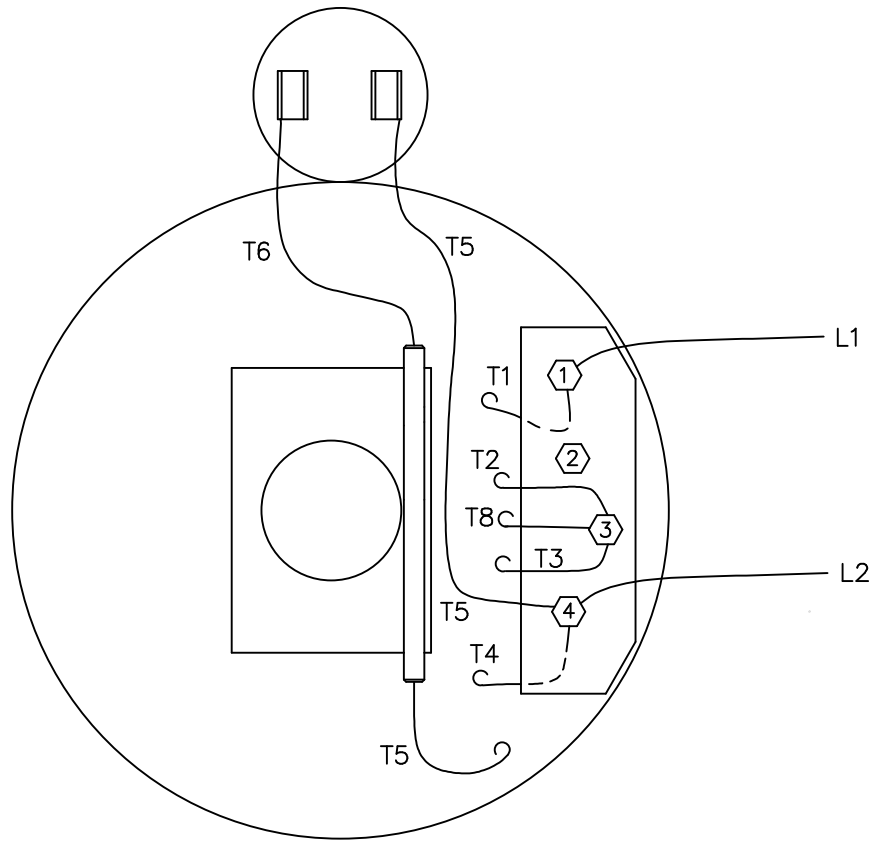


DASH NO.	"C"	"AD"	CAP. DASH	"XO"
500	9.90	4.37	A	1.54
550	10.40	4.87	B	2.01
600	10.90	5.37	C	2.25
650	11.40	5.87		

GASKETS THROUGHOUT

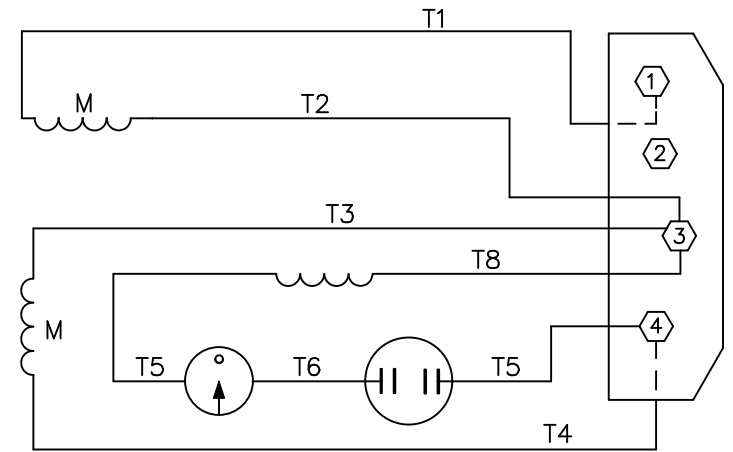
NO.		REVISION		BY & DATE		CHK		TOLERANCES UNLESS SPECIFIED		DRAWN		REV.	
								DEC.		RDW 6/28/04			
								INCHES		CHK			
								.X ±.1		APPD SW 6/28/04		SCALE 3=8	
								.XX ±.03		TITLE OUTLINE - 56Z FRAME		REF	
								.XXX ±.005		TENV - RIGID		FMF	
A		ADDED FLINGER		DS 06/12/18		AS		.XXXX ±.0005		MAT'L. FAN DUTY		PREV	
								ANG ±1/2'		FINISH			
								RFP 6/28/04		CAD FILE 028597		SIZE A	
								DIST BRF-NLV		DRAWING NO. 028597		REV. A	

THIS DRAWING IN DESIGN AND DETAIL IS OUR PROPERTY AND MUST NOT BE USED EXCEPT IN CONNECTION WITH OUR WORK ALL RIGHTS OF DESIGN AND INVENTION ARE RESERVED THIS IS AN ELECTRONICALLY GENERATED DOCUMENT - DO NOT SCALE THIS PRINT



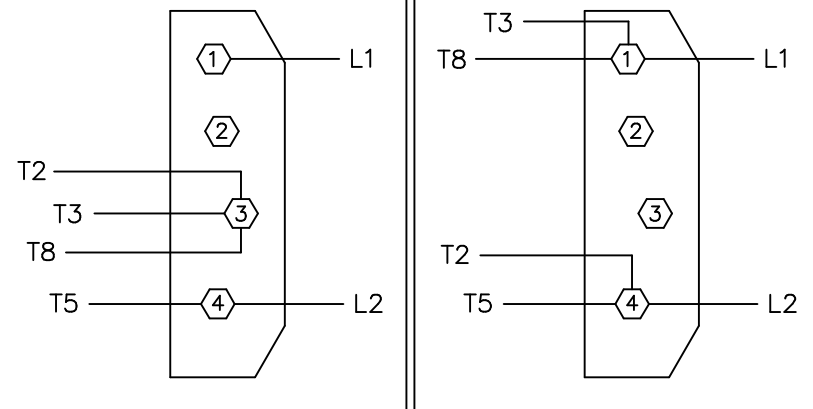
VIEW FROM OUTSIDE OF MOTOR AT SWITCH END.

LINE LEADS



HIGH VOLTAGE

LOW VOLTAGE



C.C.W. ROTATION FACING LEAD END
INTERCHANGE LEADS T5 & T8 FOR C.W.

		TOLERANCES UNLESS SPECIFIED	
		DEC.	INCHES
		.X	±.1
		.XX	±.01
		.XXX	±.005
		.XXXX	±.0005
NO.	REVISION	BY & DATE	CHK

	ELECTRIC MOTORS GEARMOTORS AND DRIVES
	TITLE EXTERNAL WIRING DIAGRAM TYPE "C" W/O PROTECTOR
	MAT'L. DECAL 081209-01
	FINISH STANDARD

DRAWN	PG 9/14/05
CHK	
APPD	
SCALE	1=1
REF	005005-24
FMF	115950.00
PREV	

RFP	CAD FILE	00500552	SIZE	DRAWING NO.	REV.
DIST			A	005005-52	



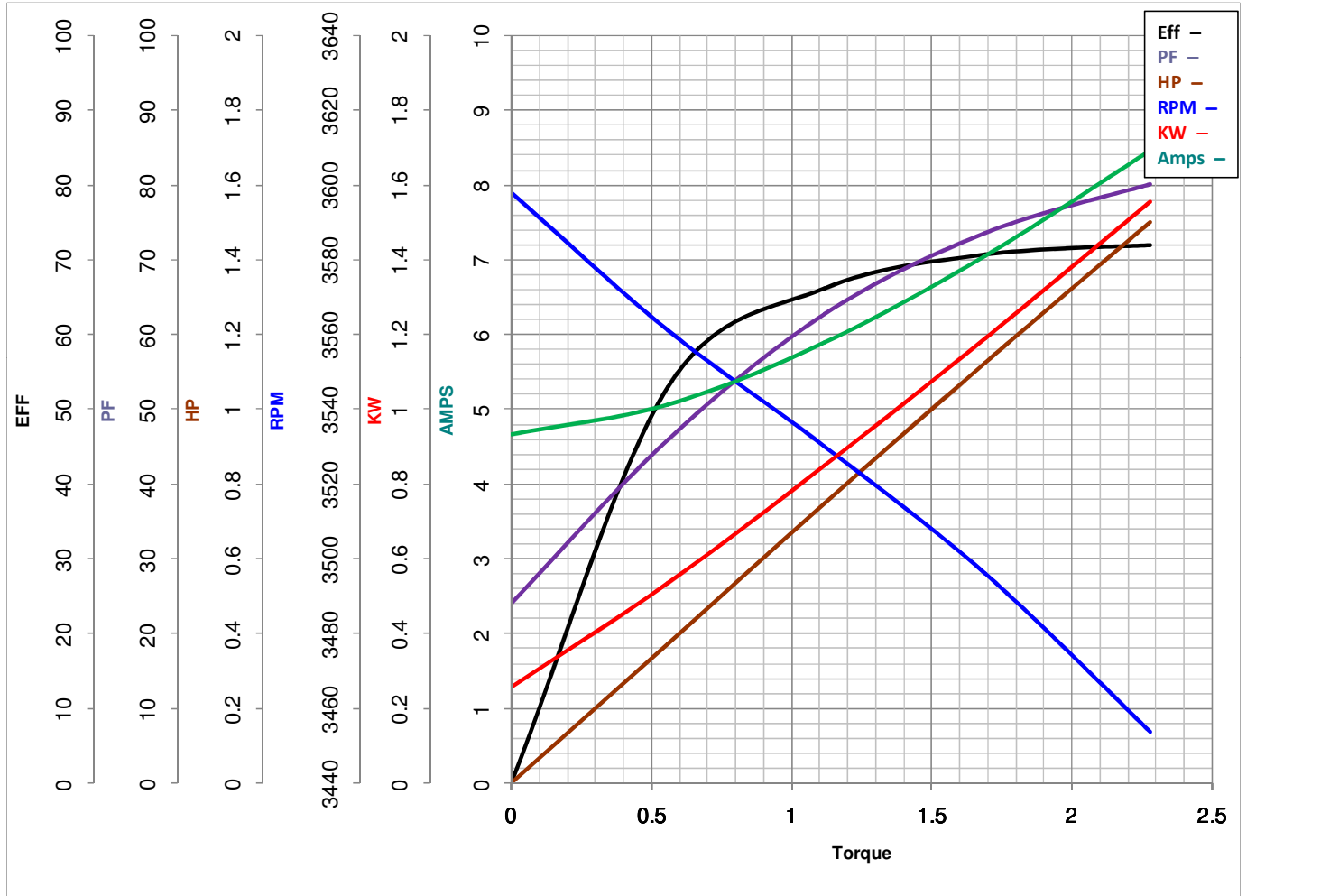
LEESON ELECTRIC CORPORATION
 TYPICAL PERFORMANCE CURVE for AC MOTOR

Model No 111949.00

Catalog No 111949.00

Curve at 230 Volts HP 1.50 PHASE 1
60 HZ
1.5 HP VOLTS 115/208-230

HZ 60 RPM 3450



FL TORQUE	<u>2.28</u>	Lb.Ft	FL AMPS	<u>17/9-8.5</u>	
BD TORQUE	<u>5.6</u>	Lb.Ft	PU TORQUE	<u>5.3</u>	Lb.Ft
LR TORQUE	<u>5.5</u>	Lb.Ft	LR AMPS	<u>46</u>	
WINDING	C632212-3		Date	<u>4/12/2018</u>	